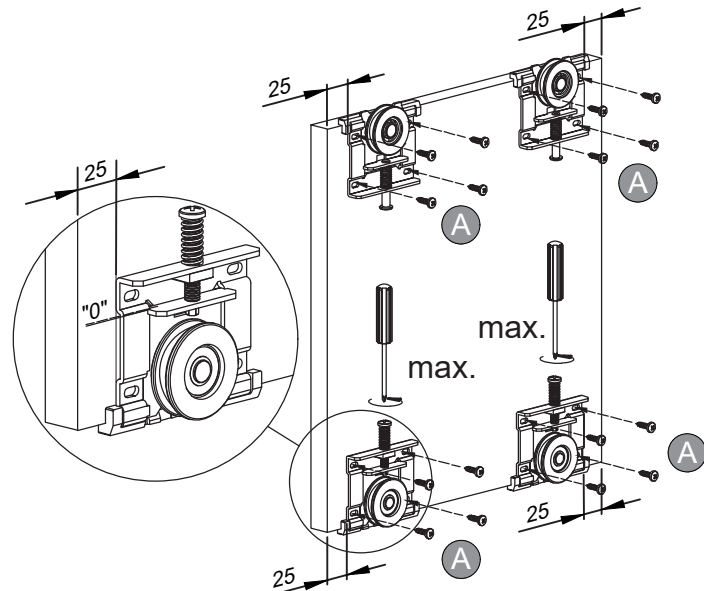
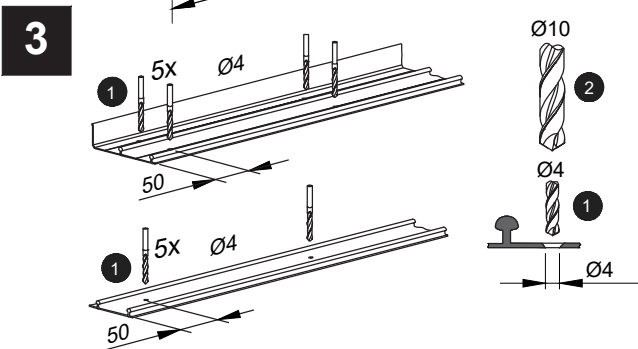
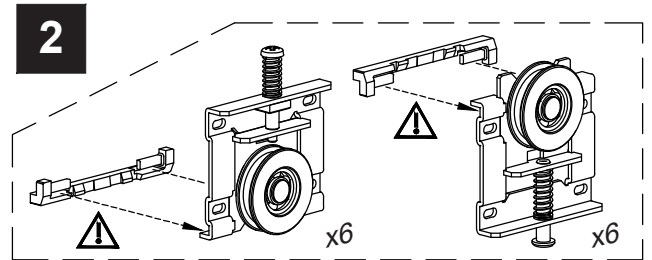
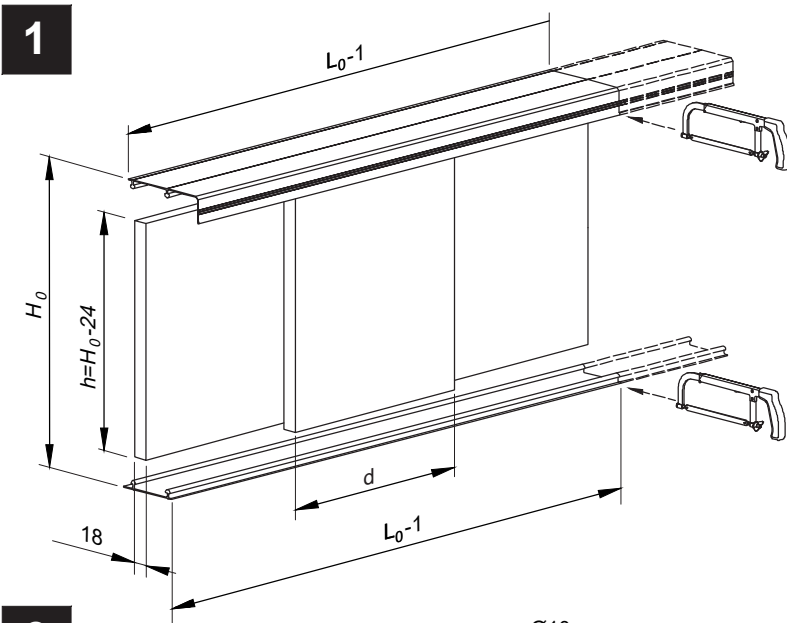
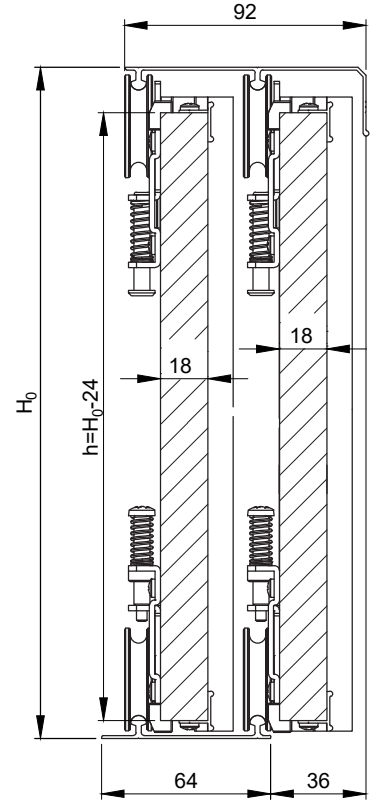
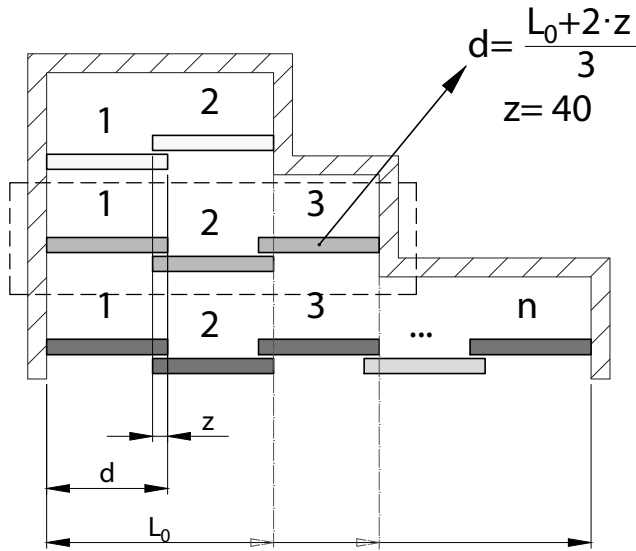
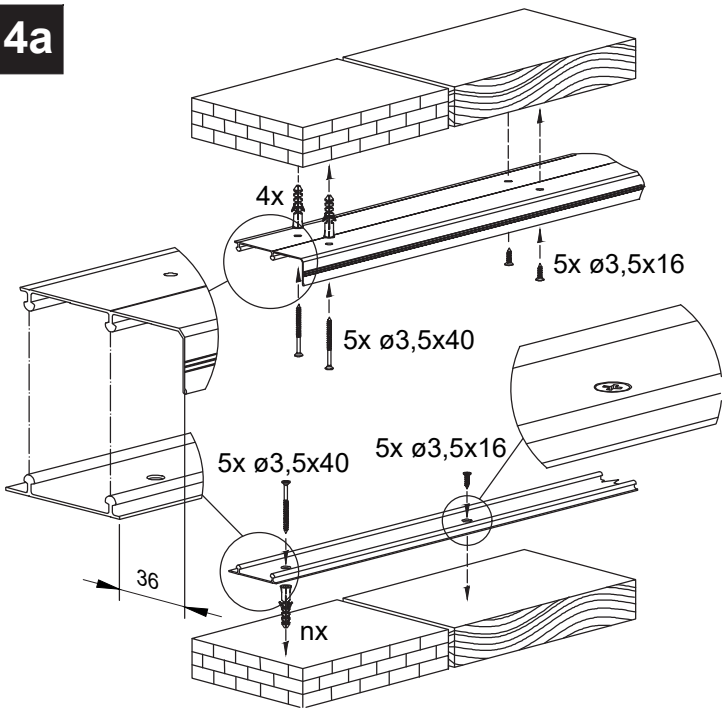


$$d = \frac{L_0 + (n-1) \cdot z}{n}$$

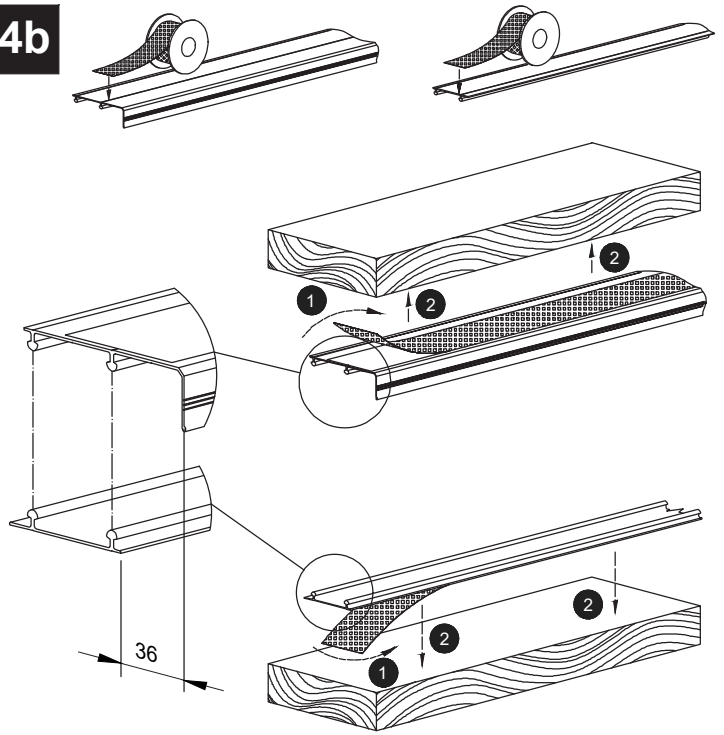
$z = 40$



4a

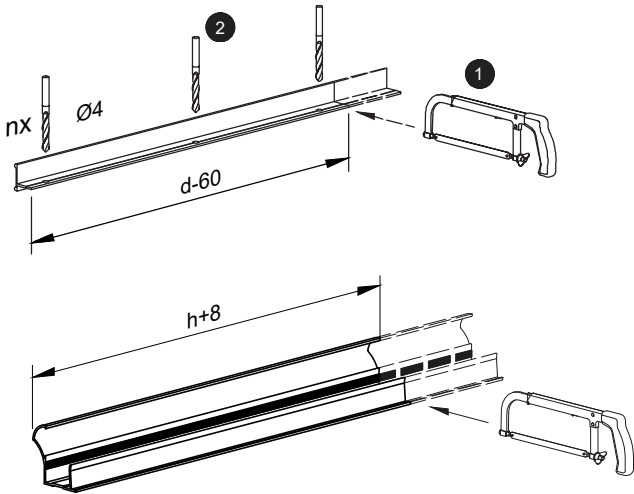


4b

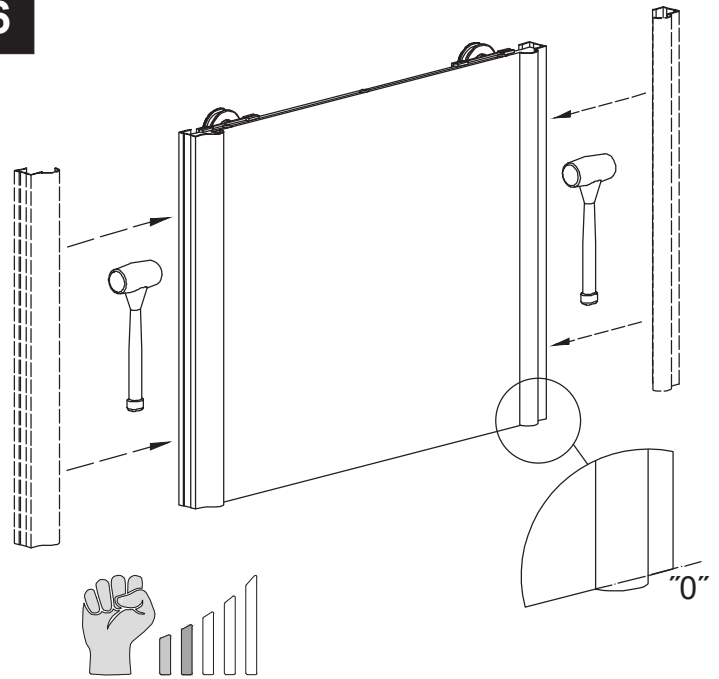


5

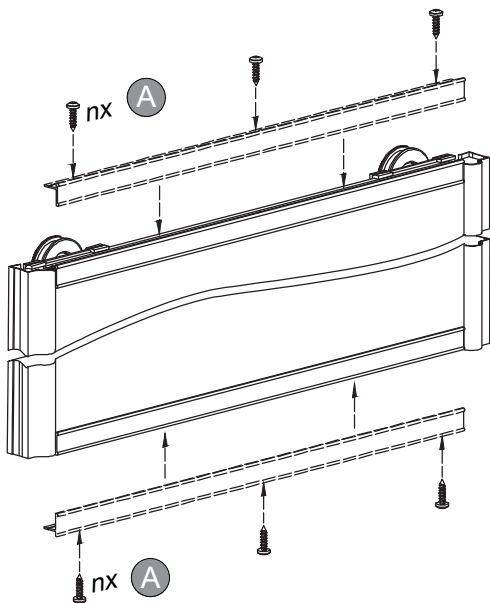
d [mm]	<500	≥500
n	2	3

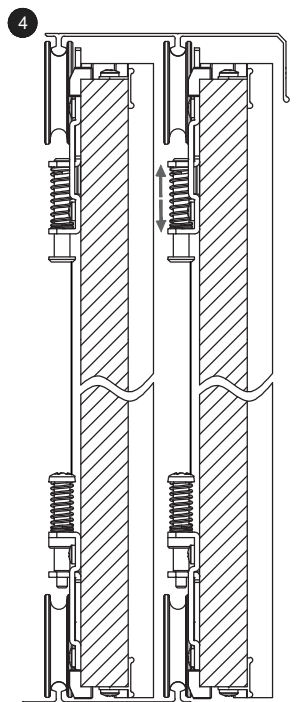
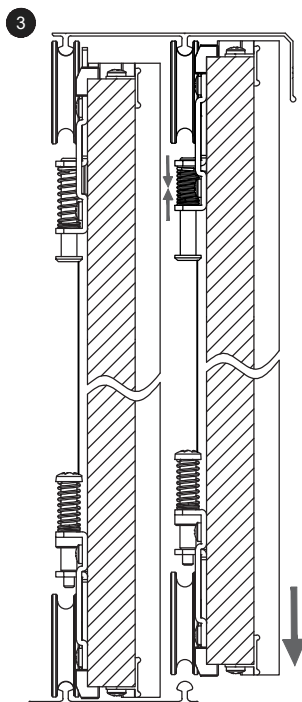
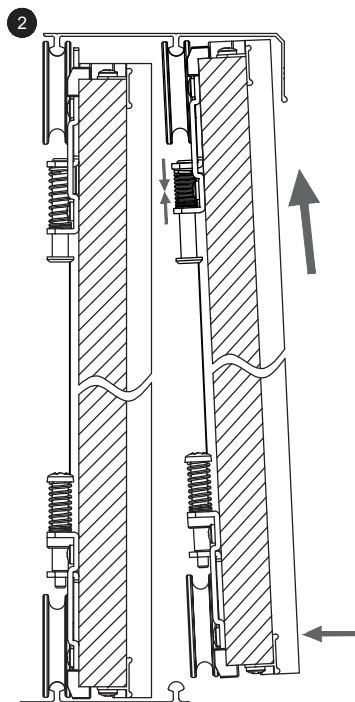
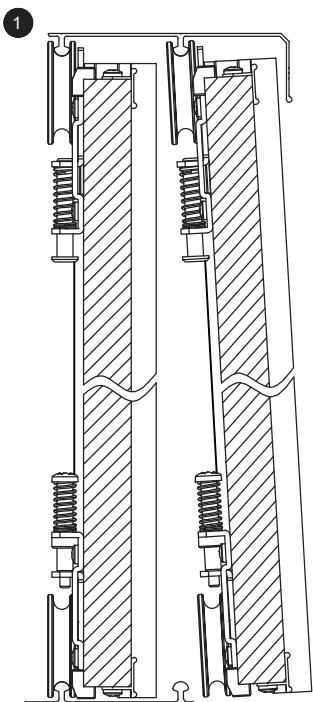
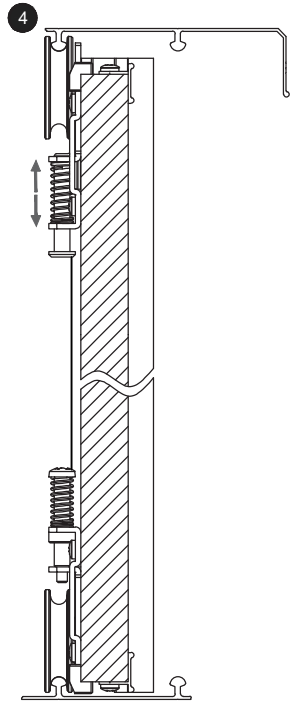
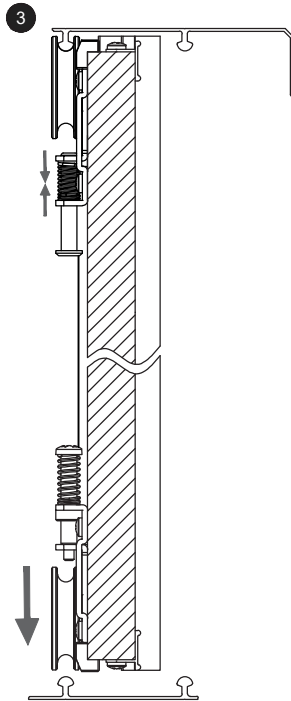
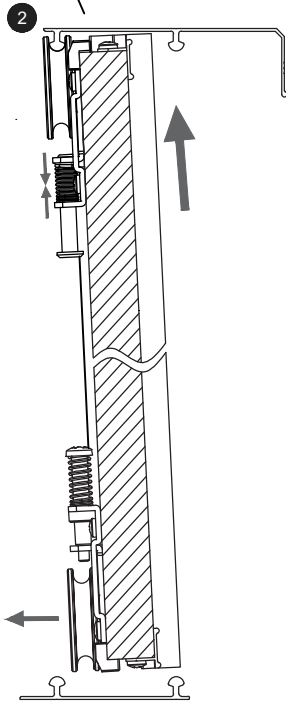
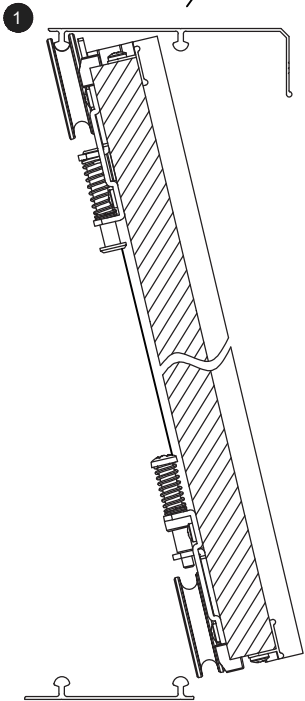
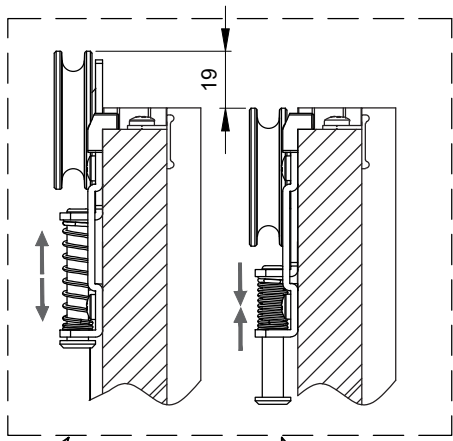


6

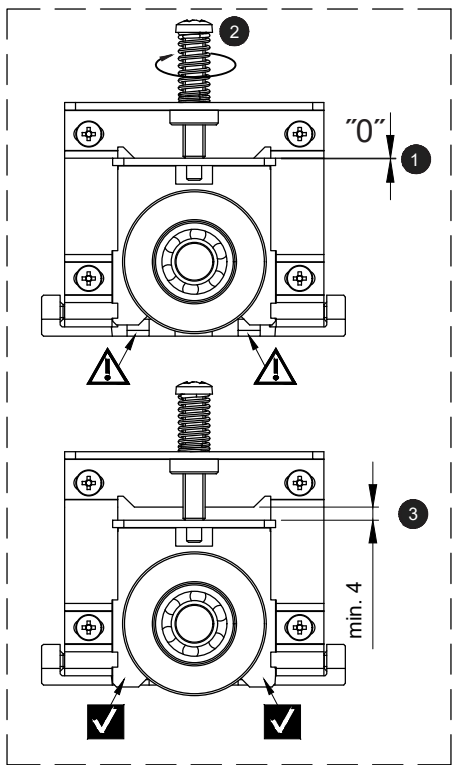
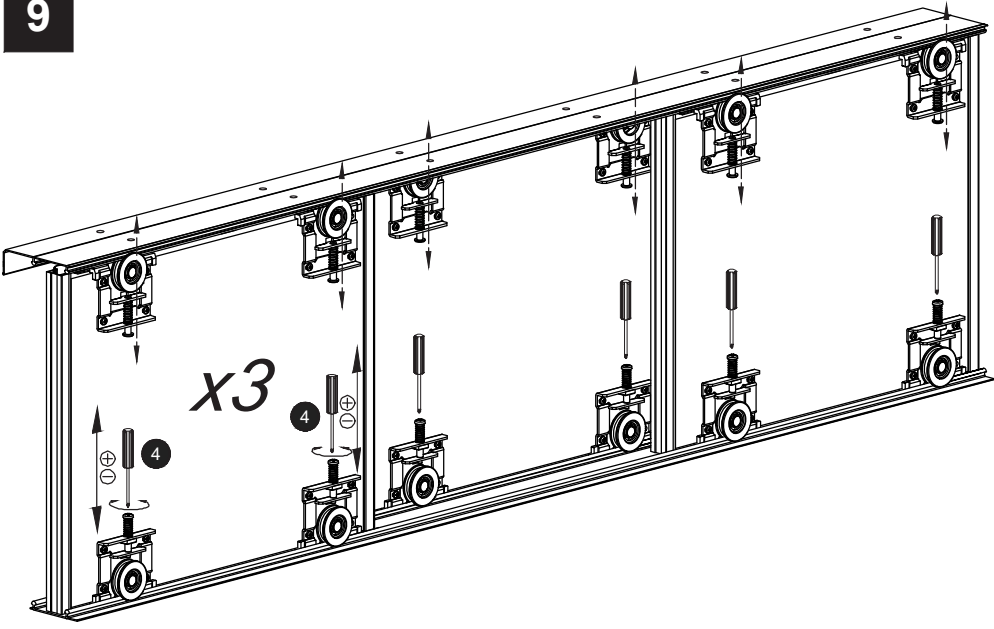


7

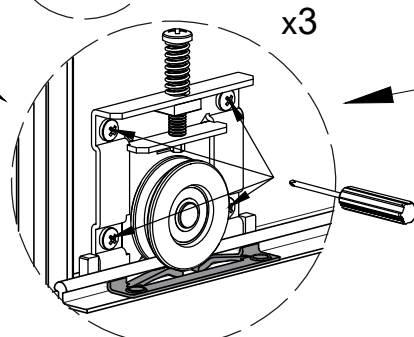
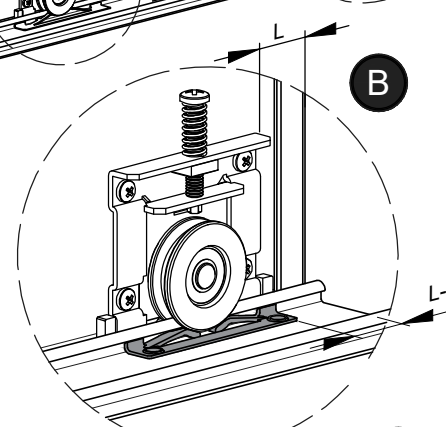
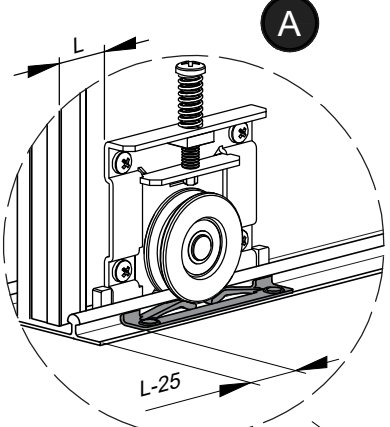
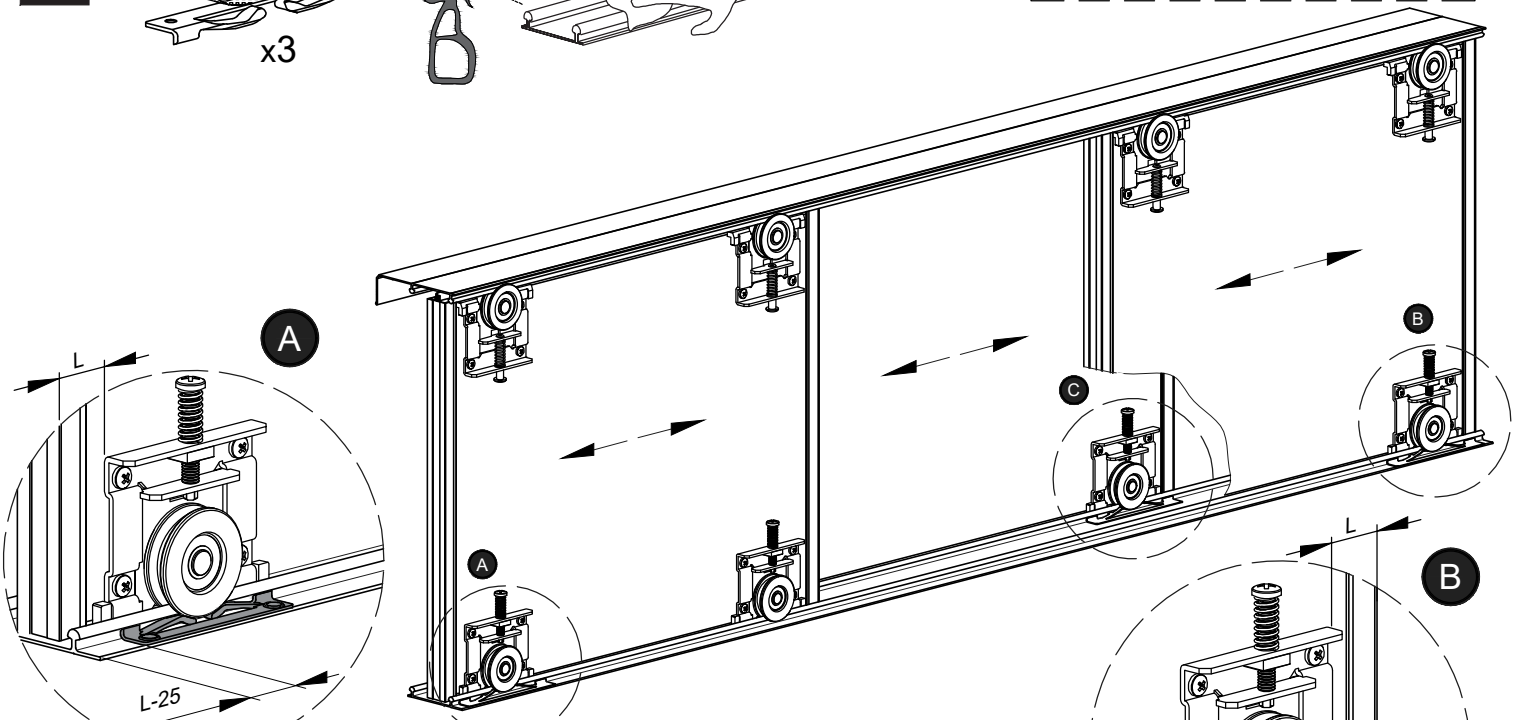
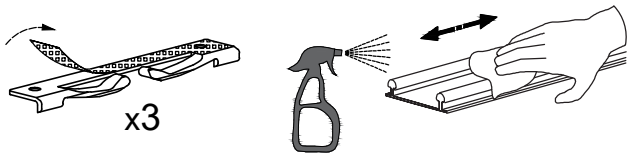




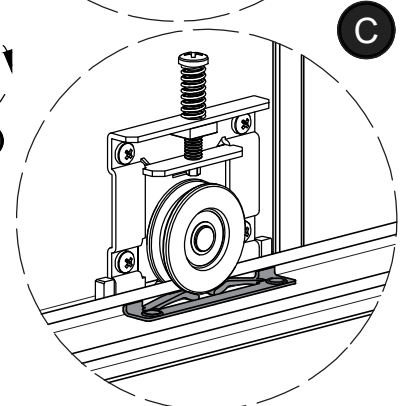
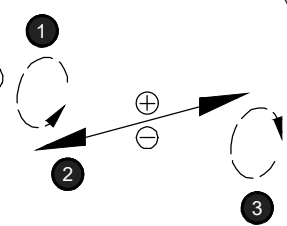
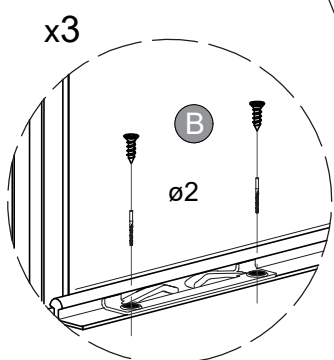
9




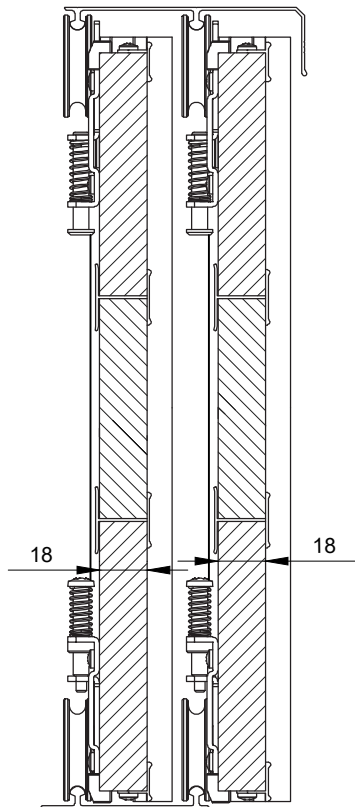
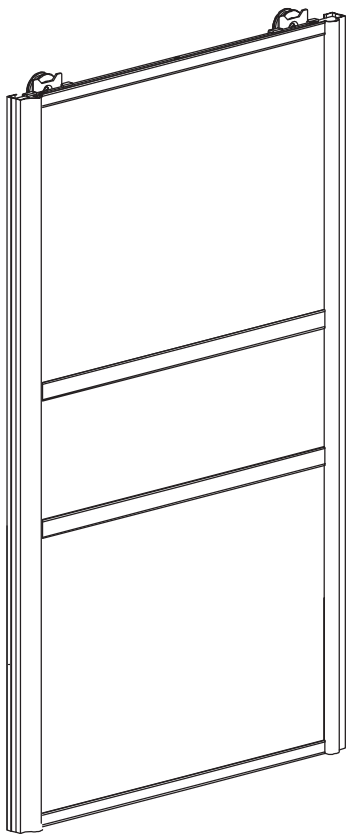
10



11



a SU5284 SU5286 



b SU5260 SU5262 SU5432   

