



x1



x1



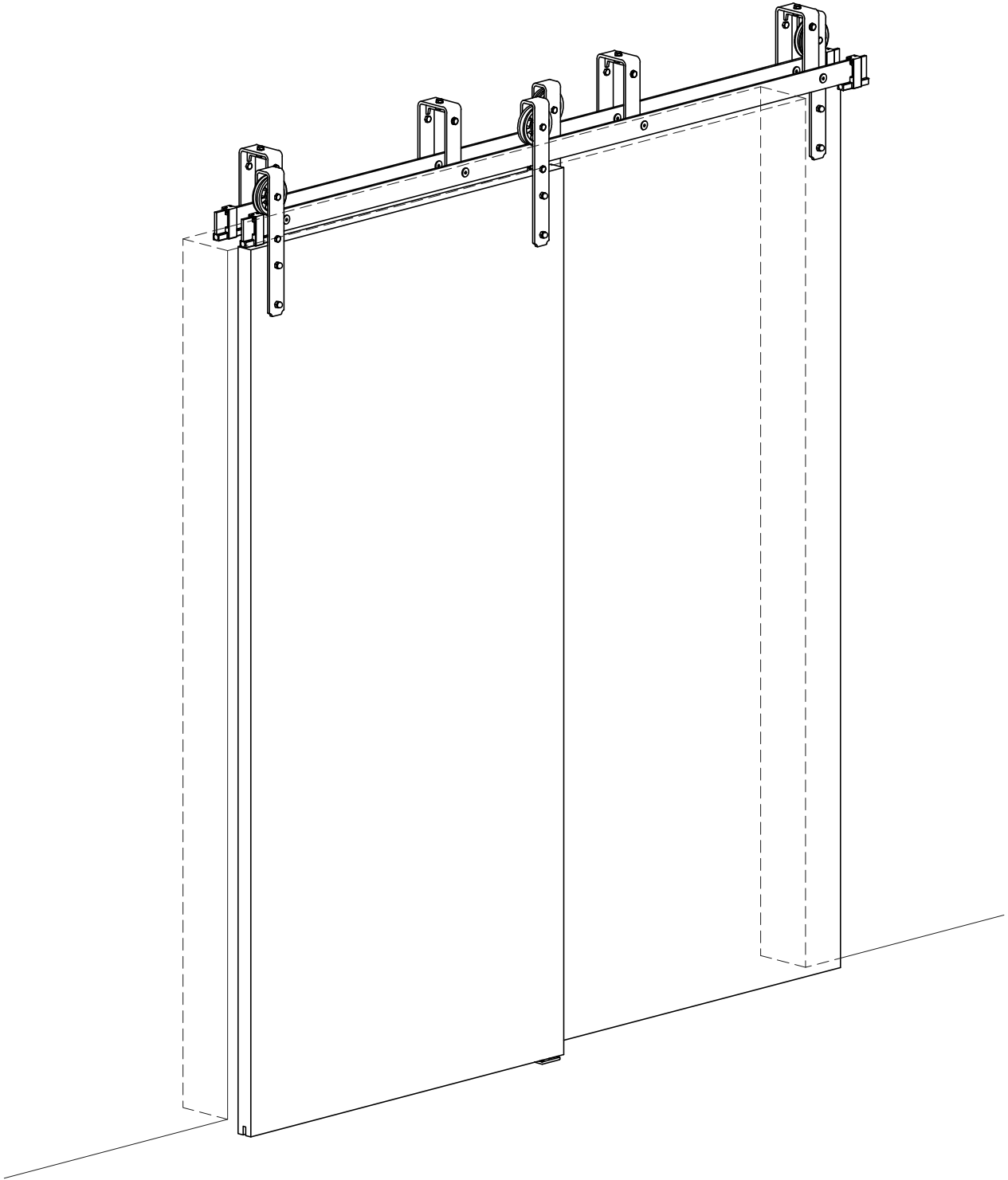
x1

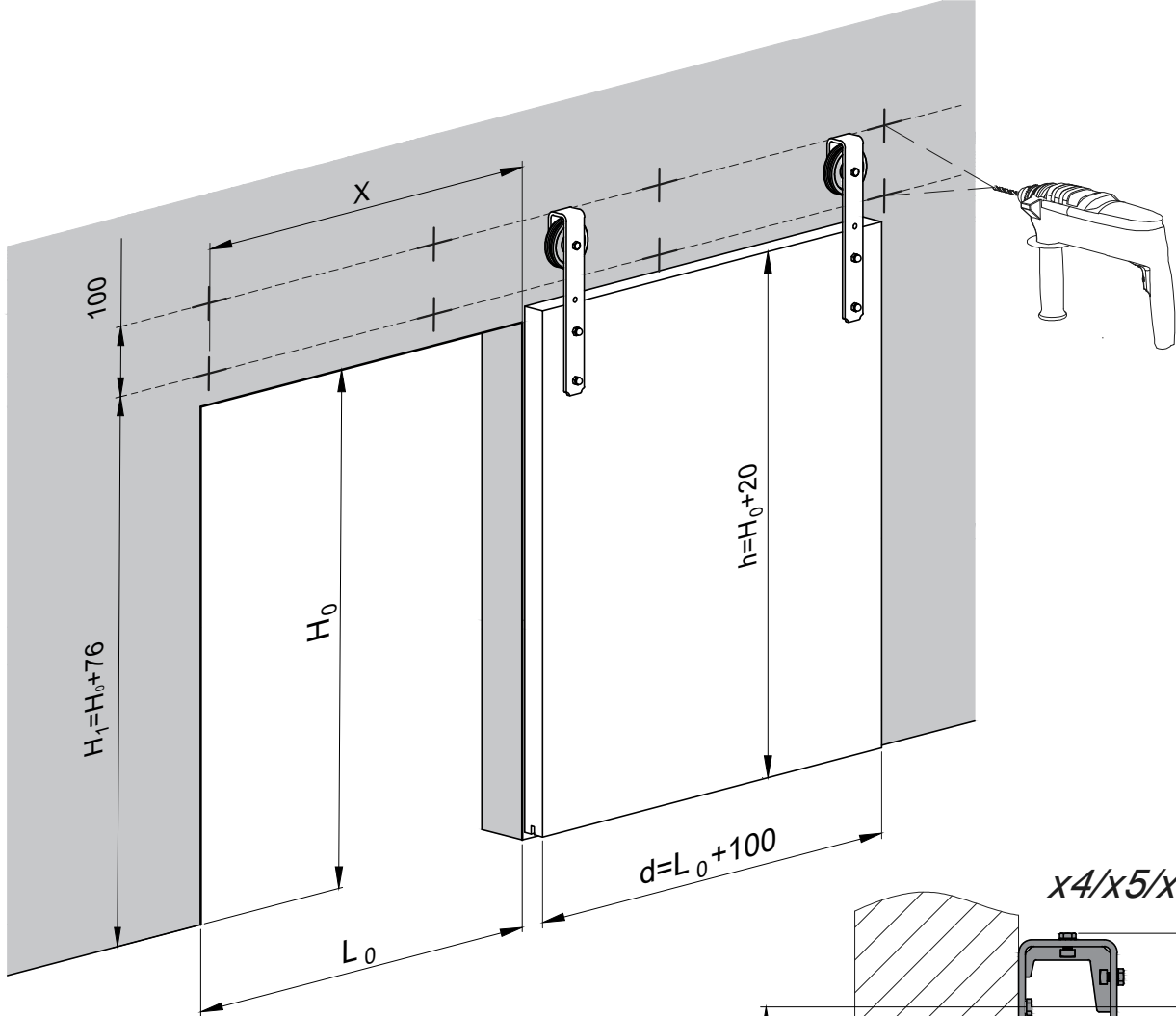


x1

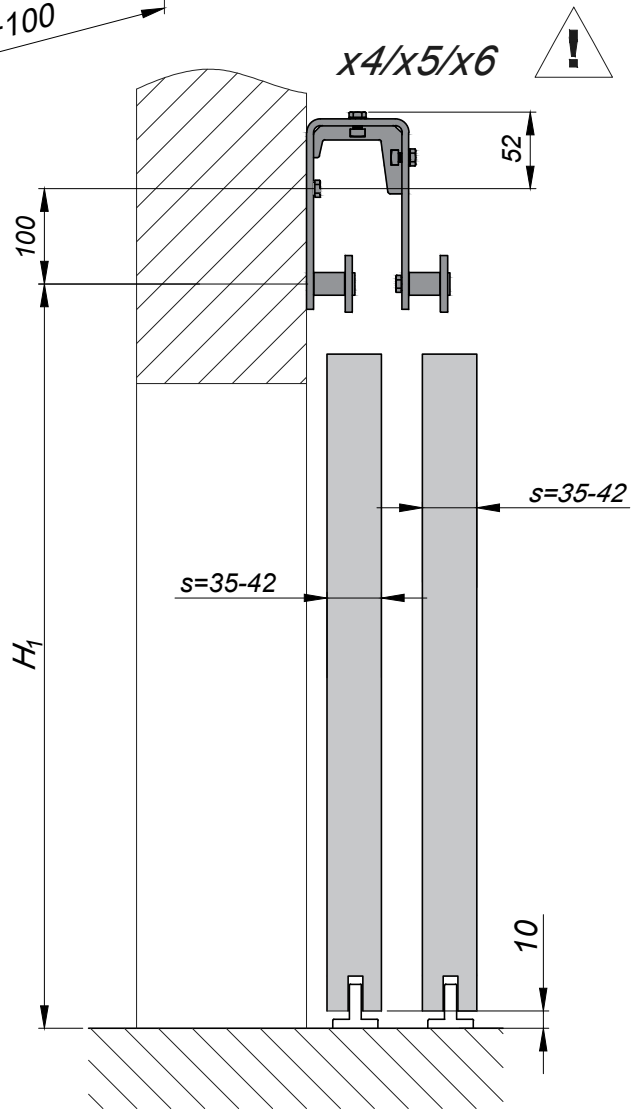
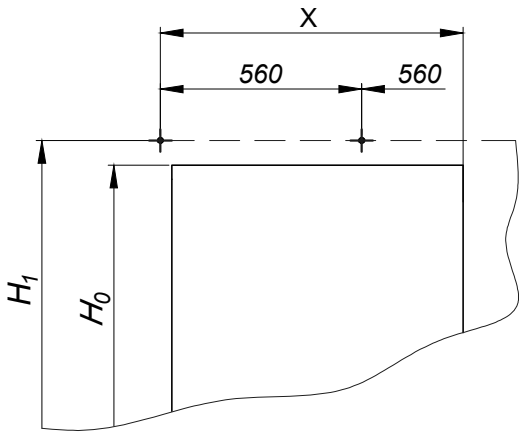


80  
kg







|                         |      |      |      |
|-------------------------|------|------|------|
| L <sub>Track</sub> [mm] | 1950 | 2400 | 3000 |
| X [mm]                  | 840  | 1120 | 1400 |

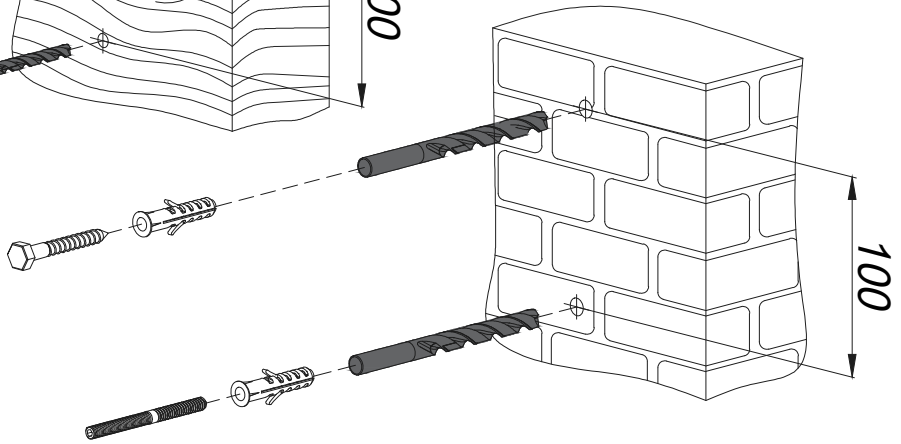
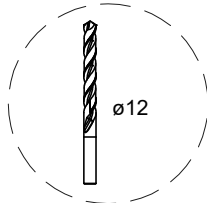
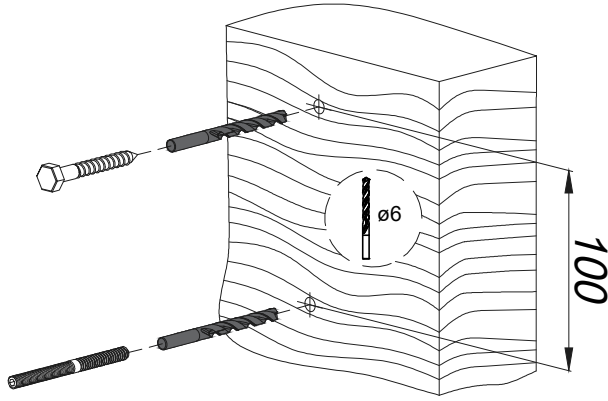
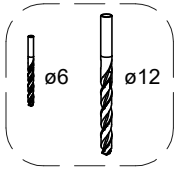


**SU5950**  
**SU5951**

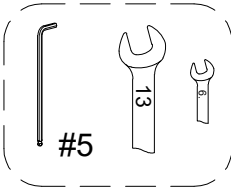
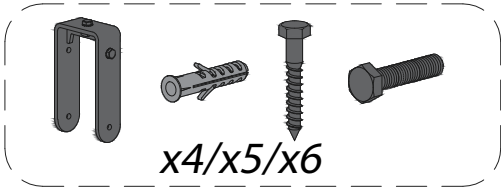



$H_1 = H_0 + 81$   
 $H_1 = h + 61$

2



3



3.1

