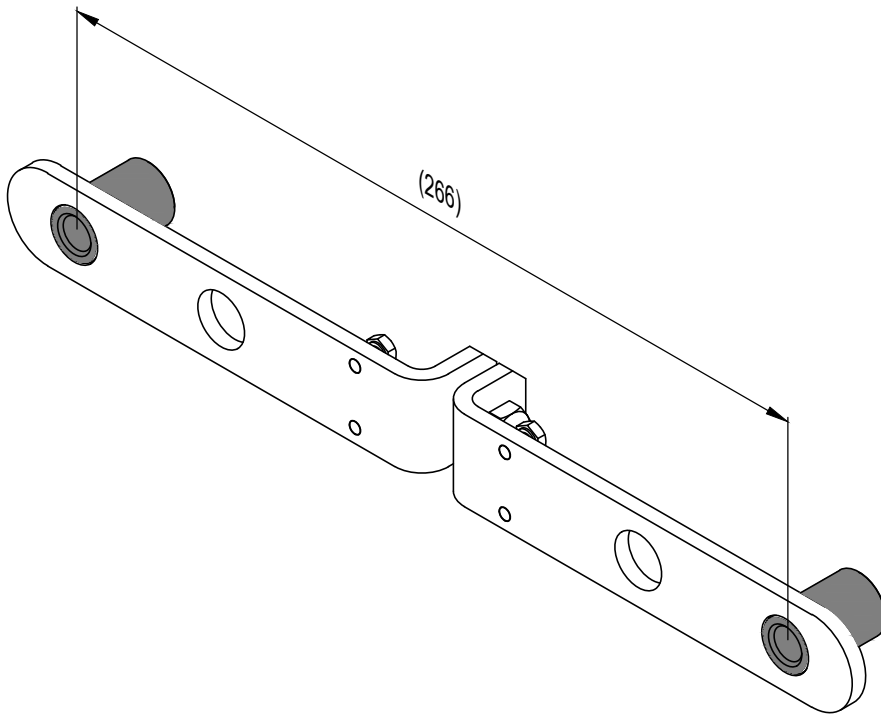


$$L_{Track} = 1950 \text{ [mm]}$$



$$L_{Track} = 2400 \text{ [mm]}$$

