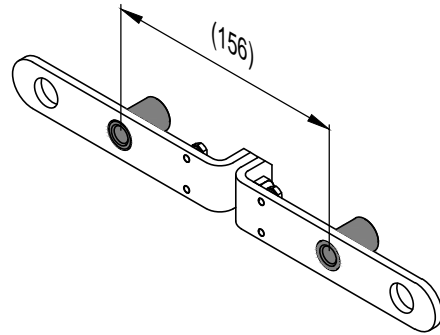
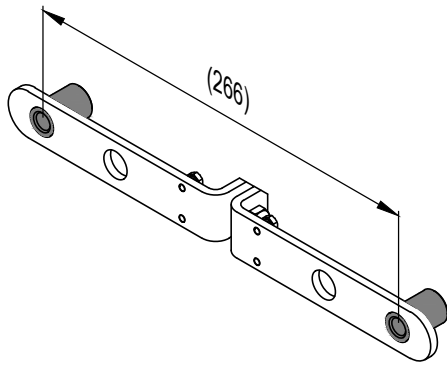
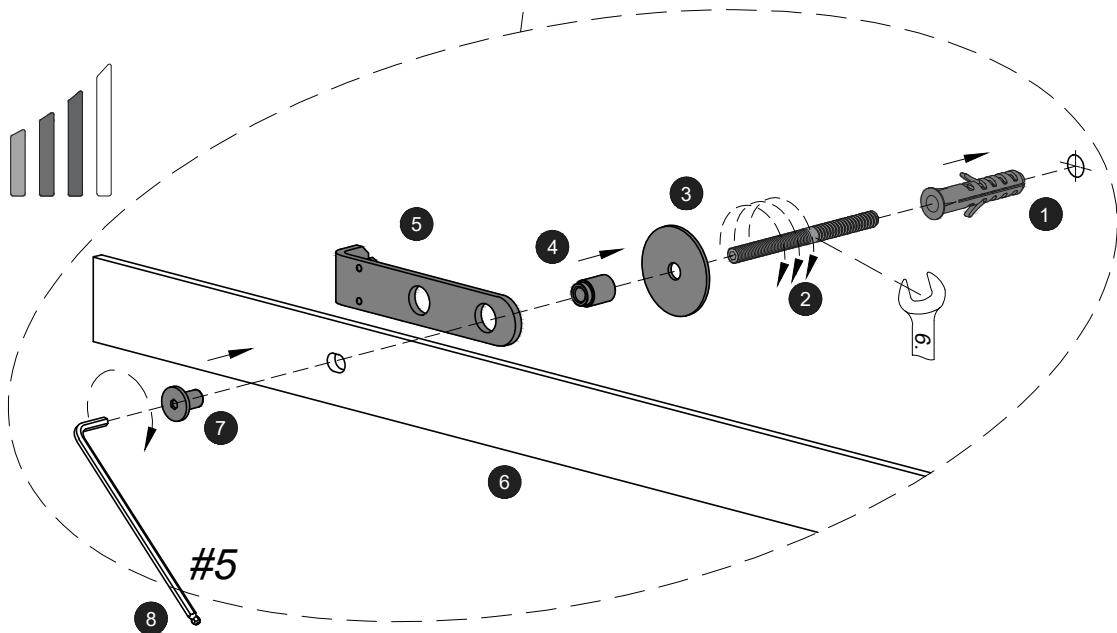
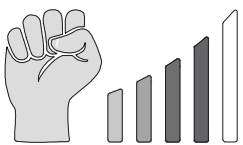
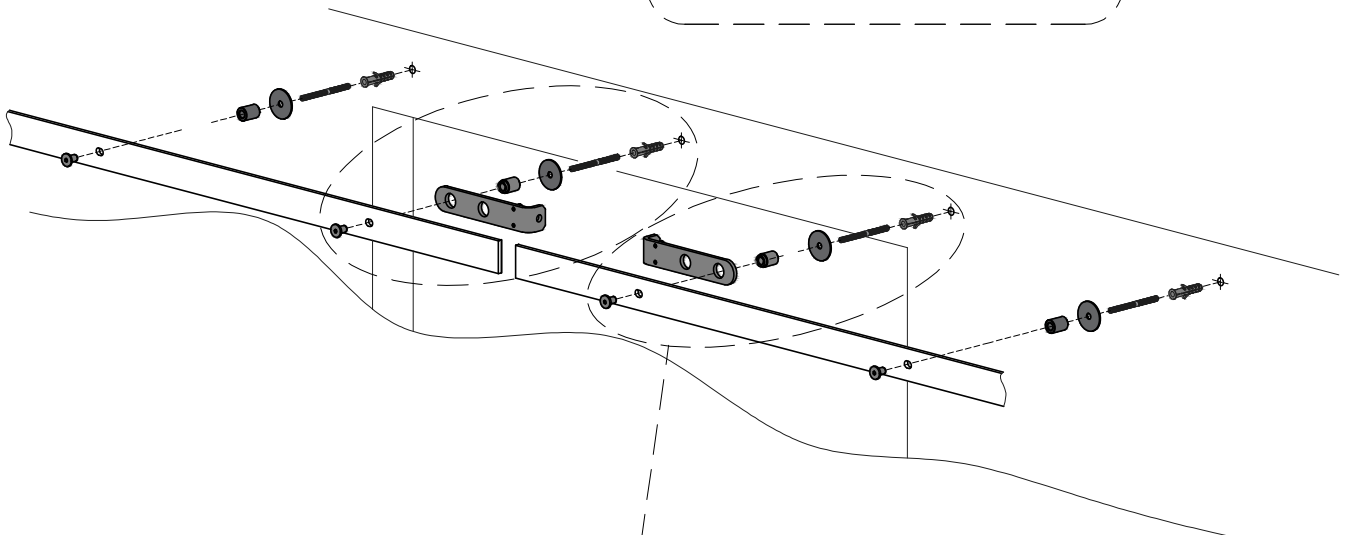
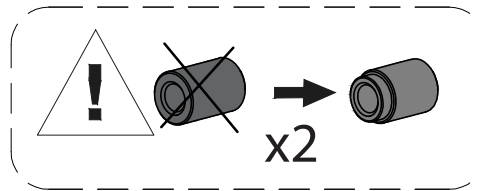
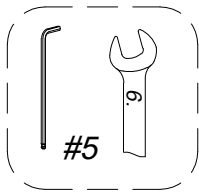


$L_{Track} = 1950 [mm]$

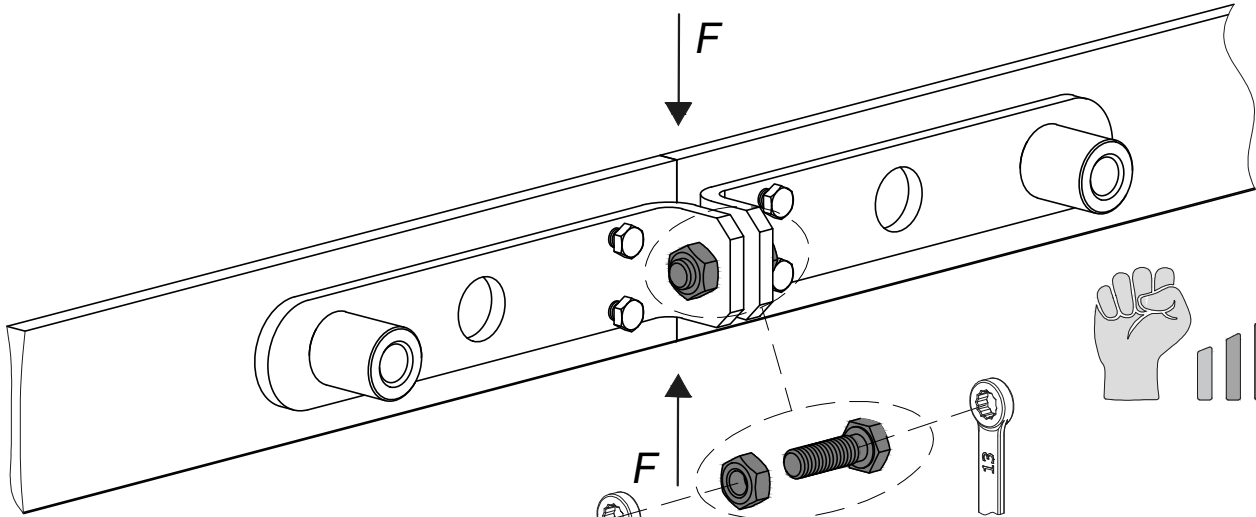
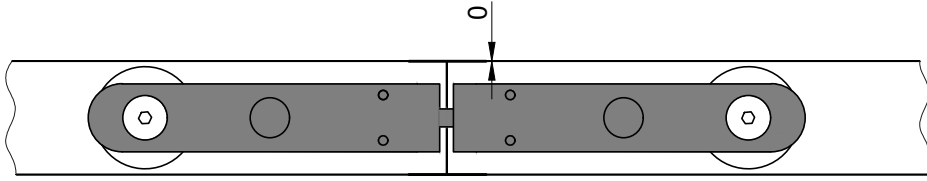
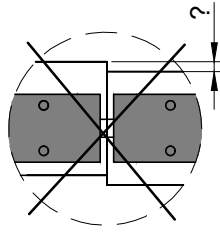
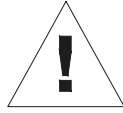
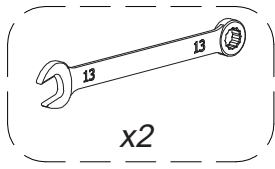
$L_{Track} = 2400 [mm]$



1



2



3

