

x1



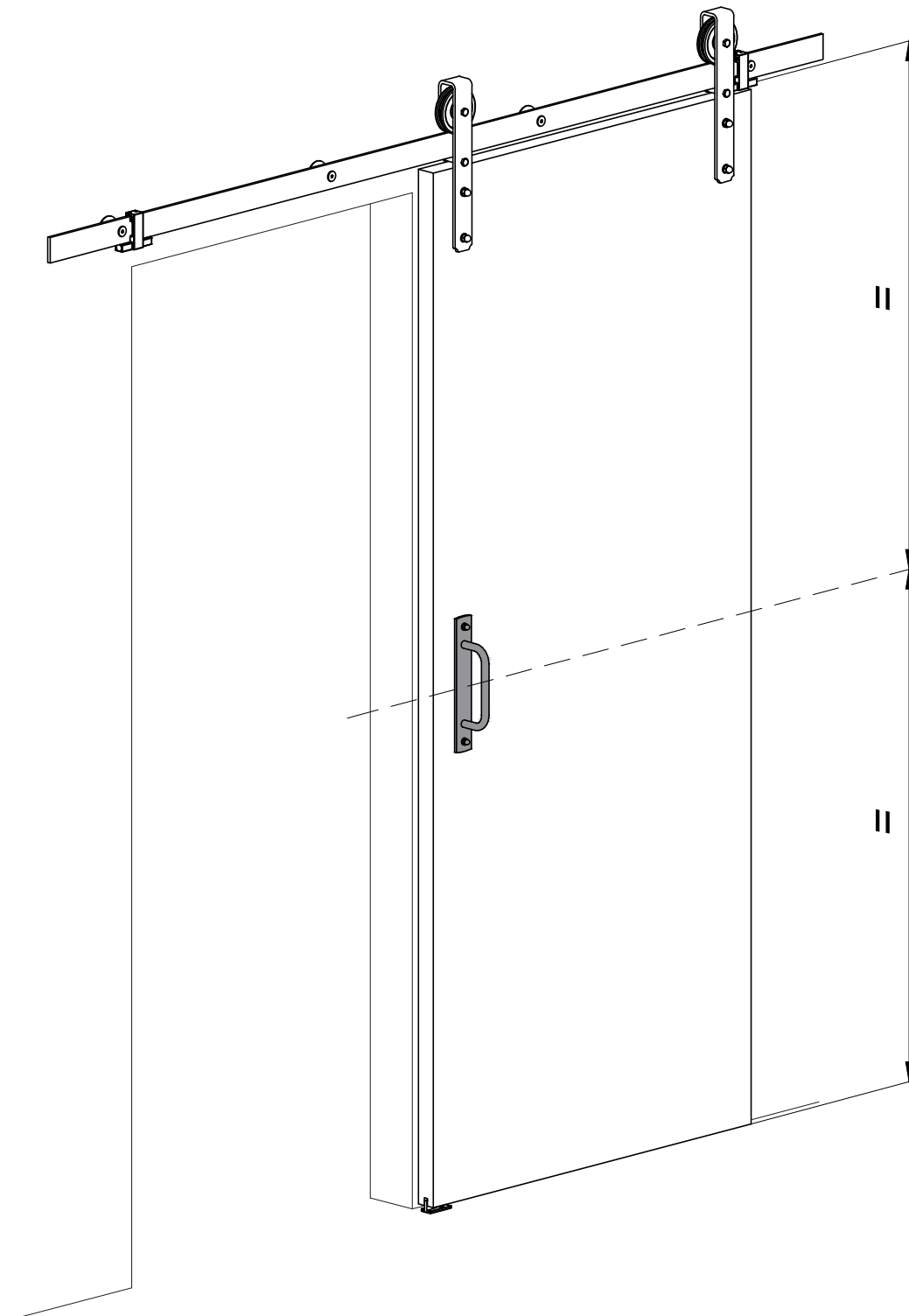
x2

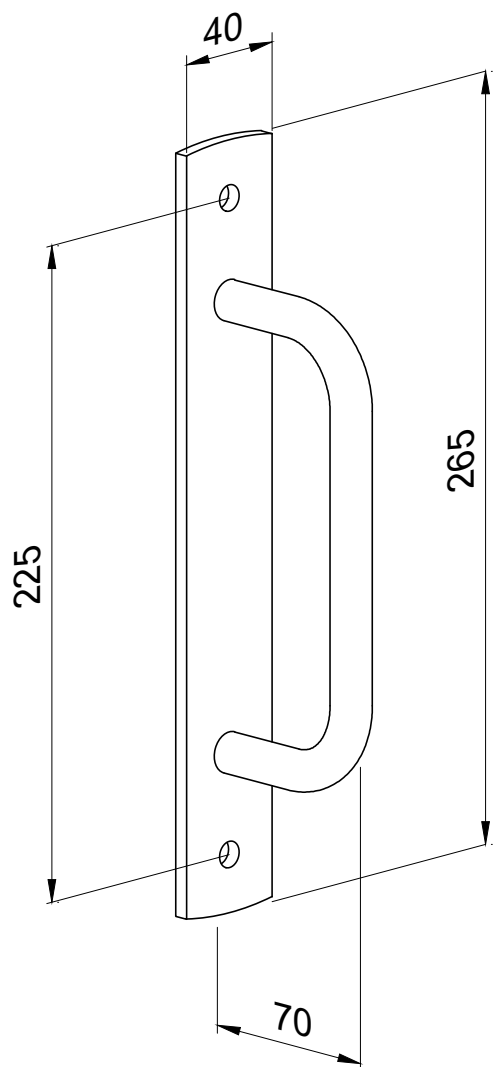


x4



x2





! $35 < s < 38$

$38 \leq s < 42$

