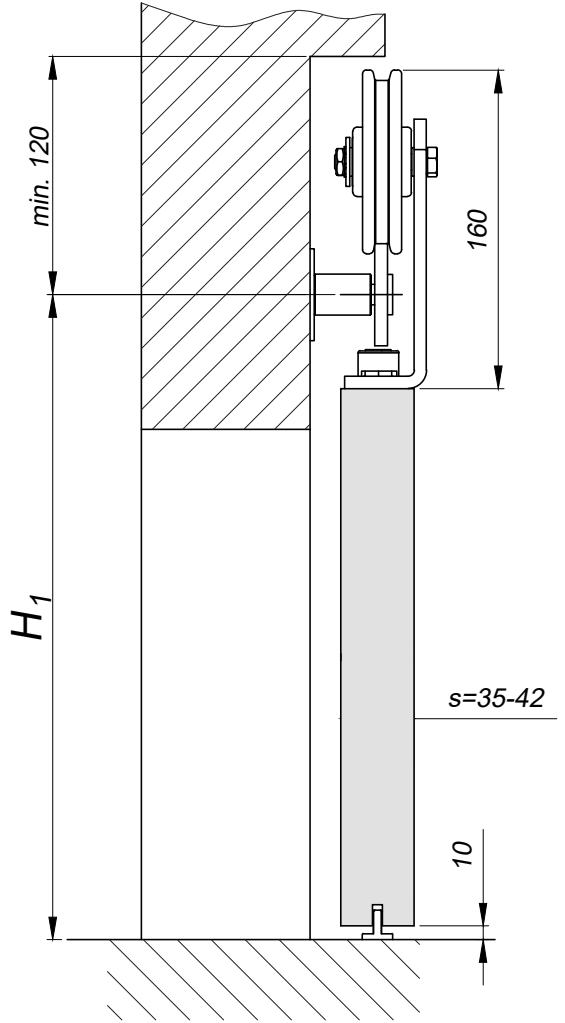
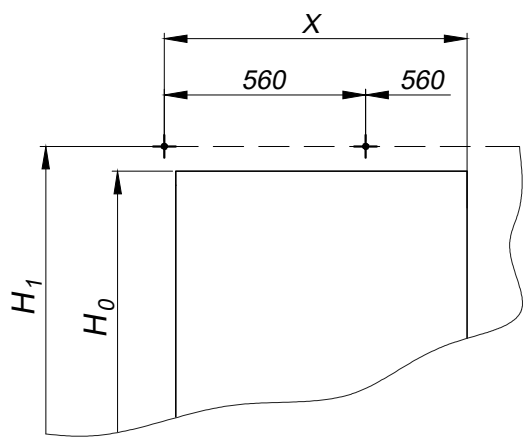


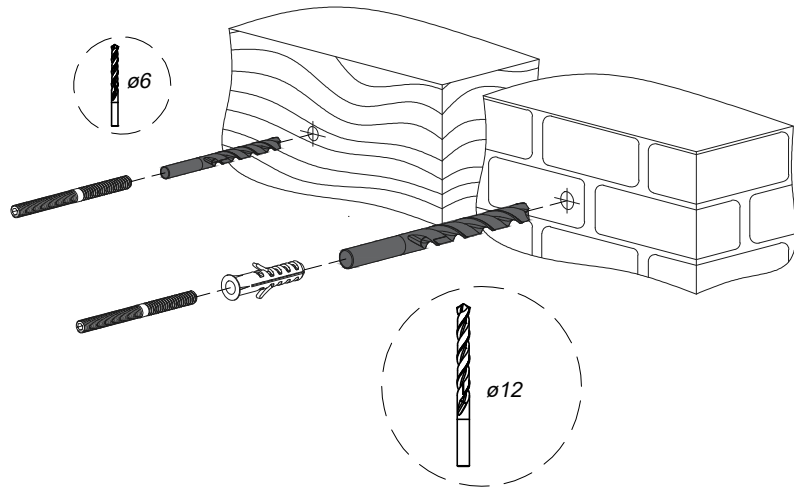
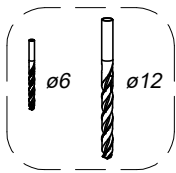
$L_{Track}$ [mm]	1950	2400	3000
X [mm]	840	1120	1400



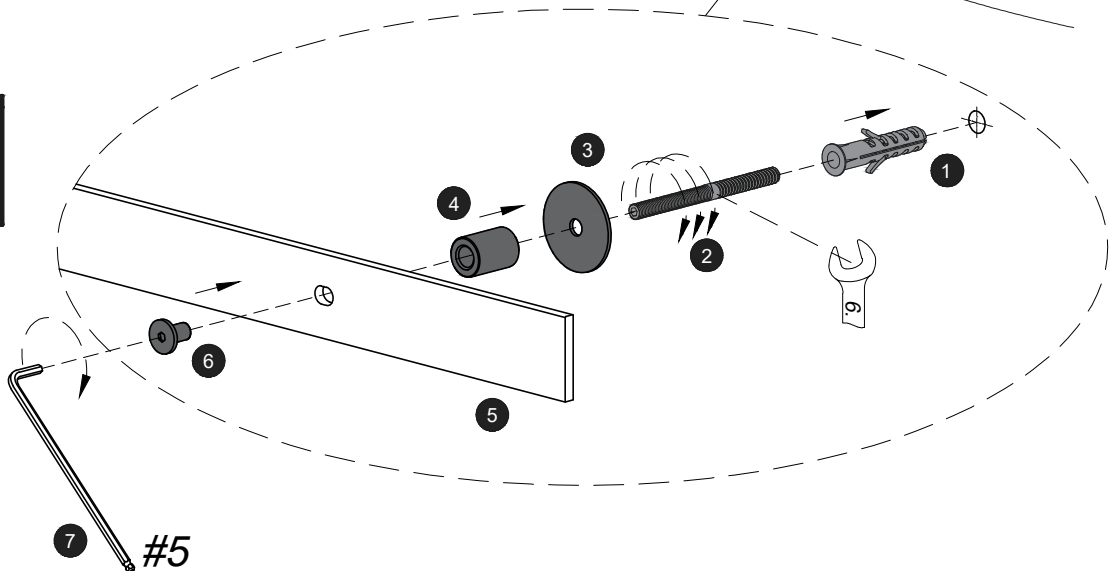
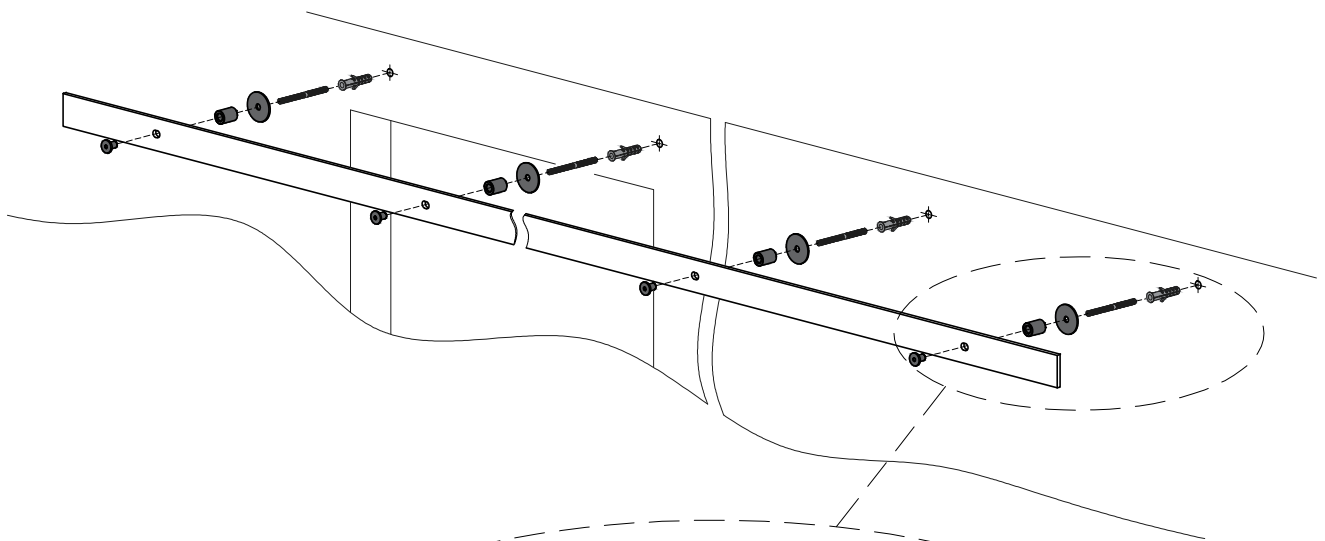
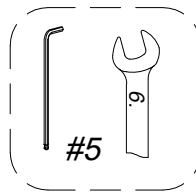
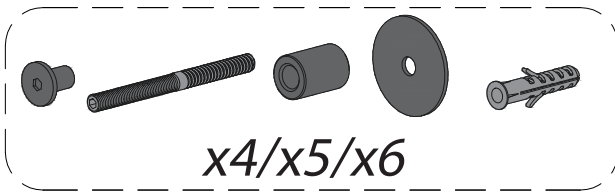
**SU5950**  
**SU5951**

$H_1 = H_0 + 81$   
 $H_1 = h + 61$

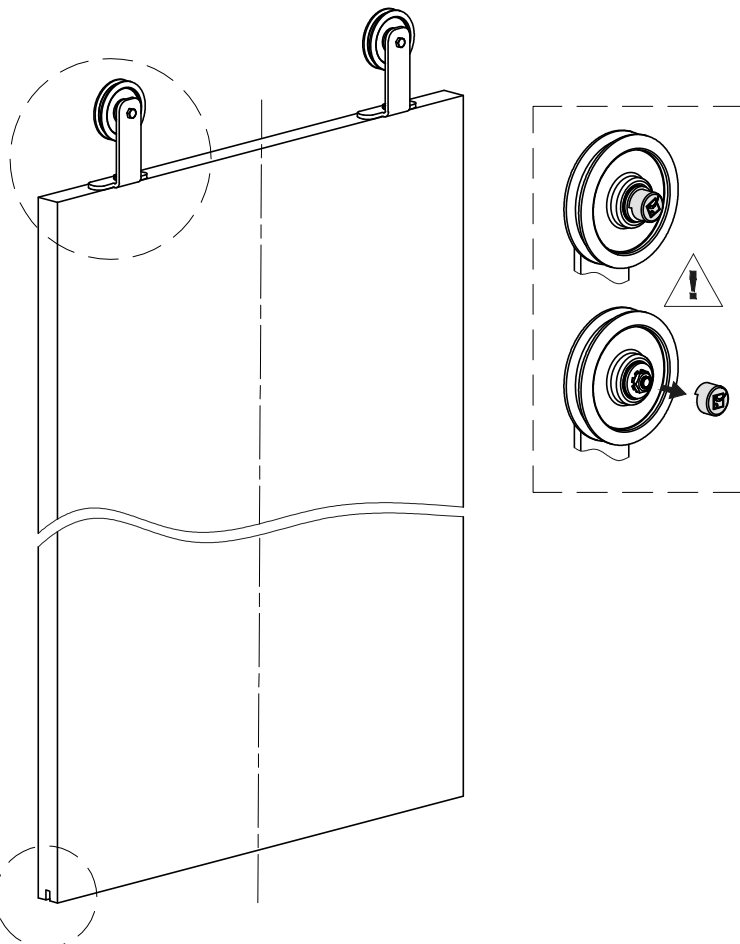
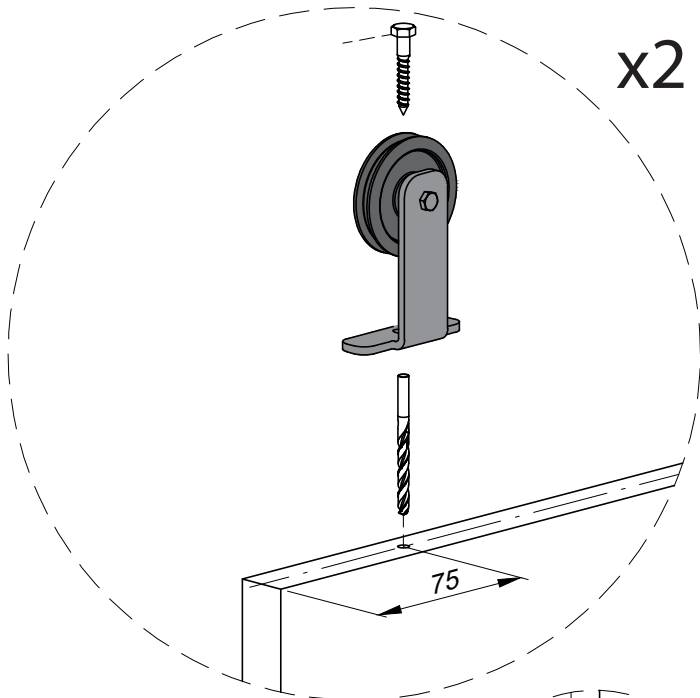
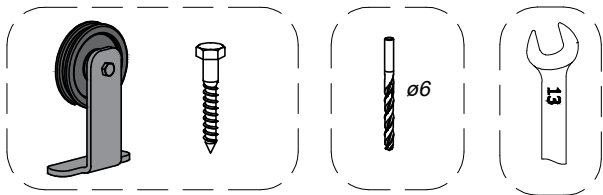
2



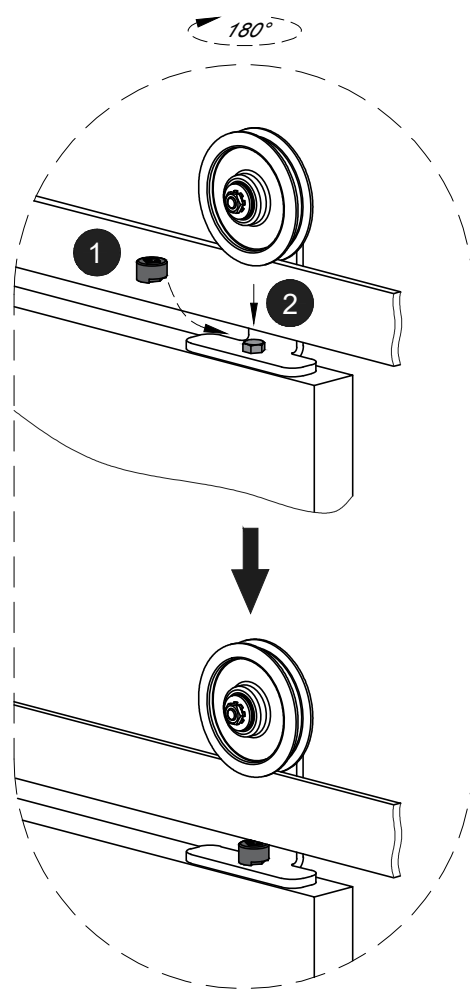
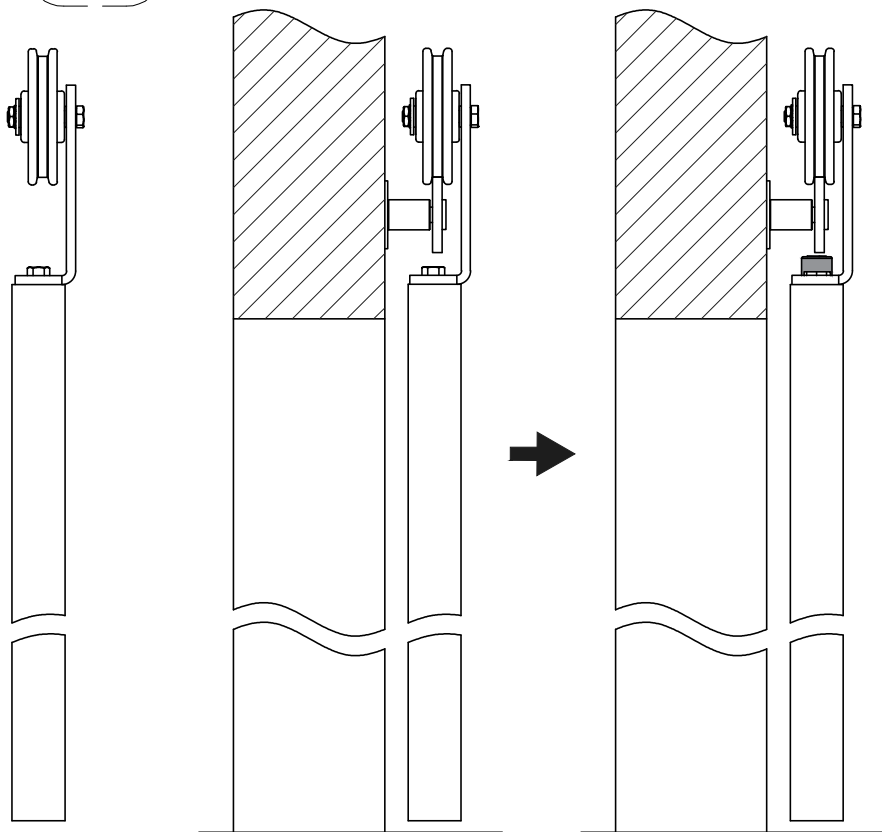
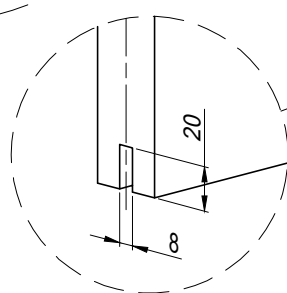
3



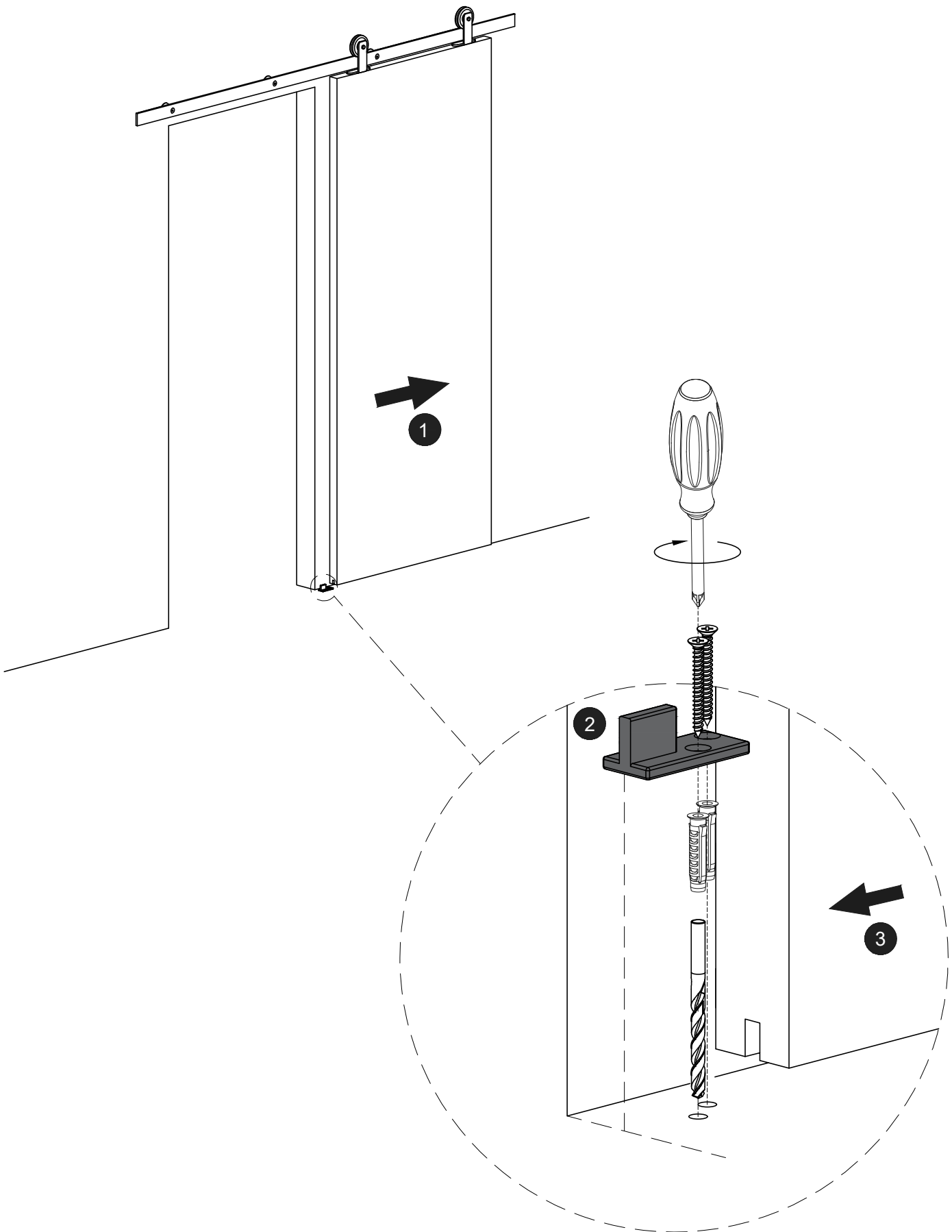
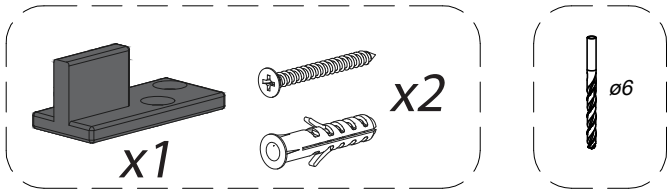
4



5



6



7

