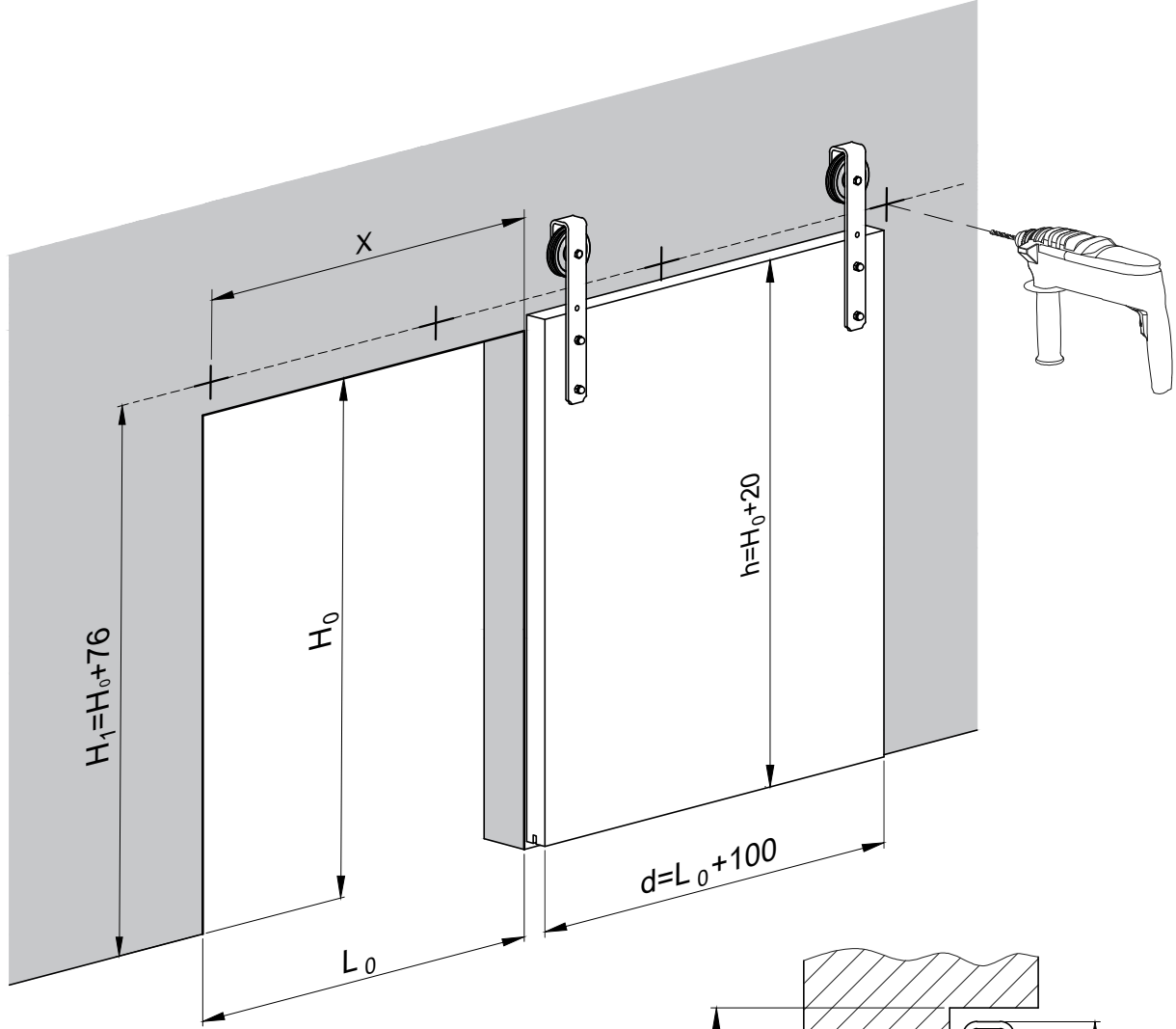
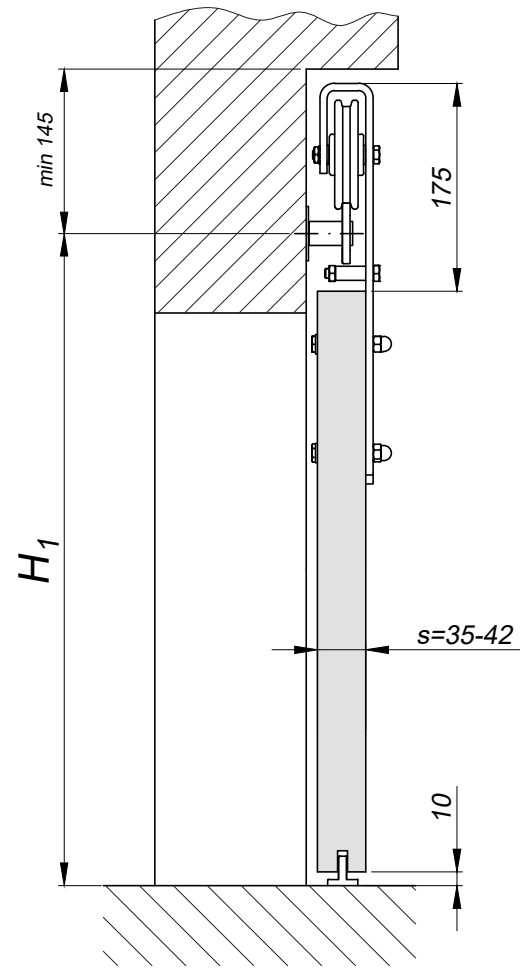
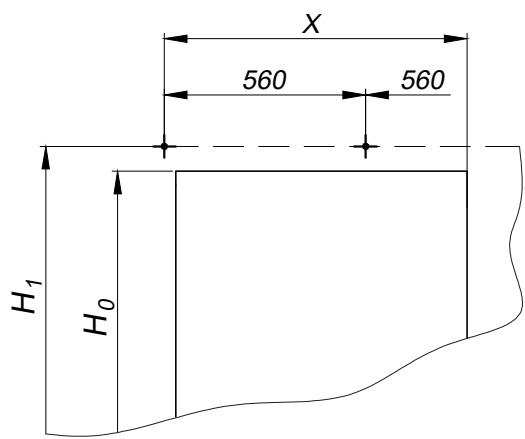


1



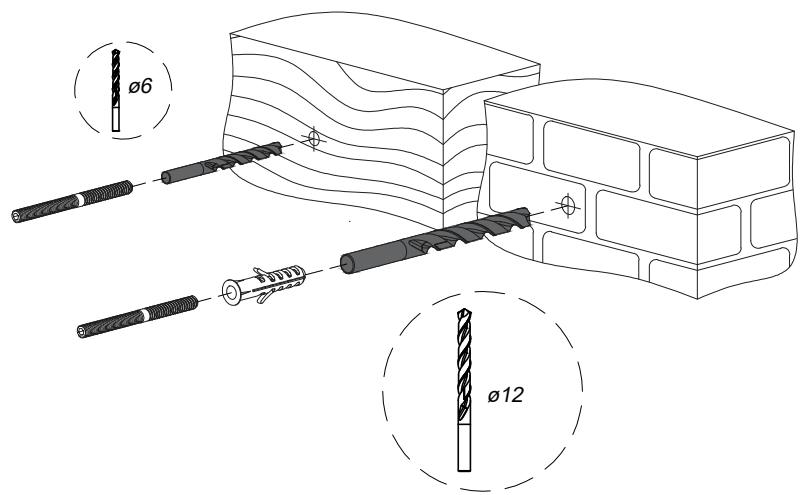
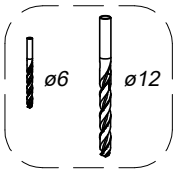
L_{Track} [mm]	1950	2400	3000
X [mm]	840	1120	1400



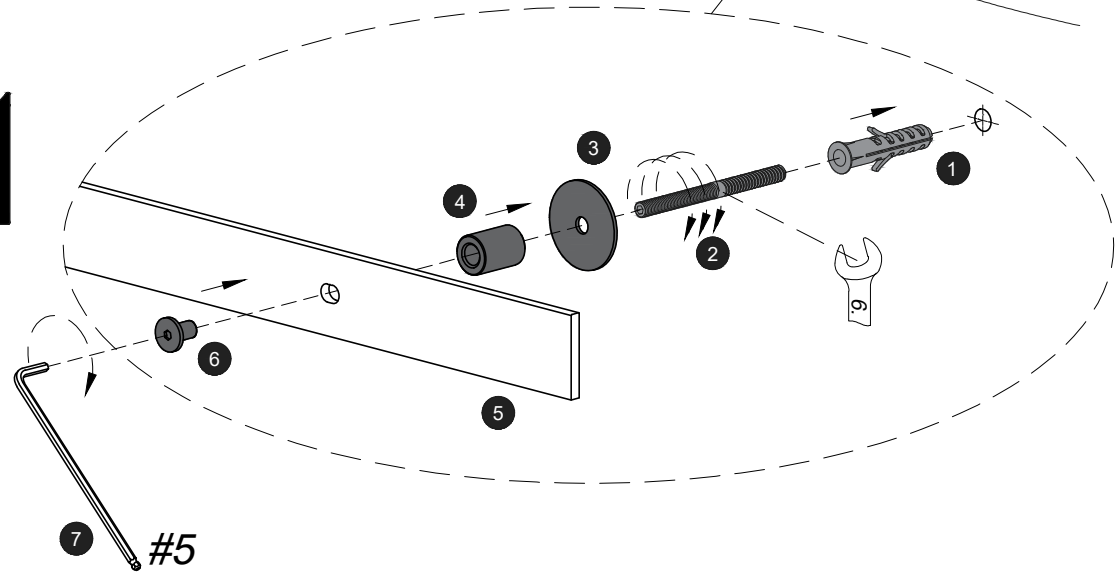
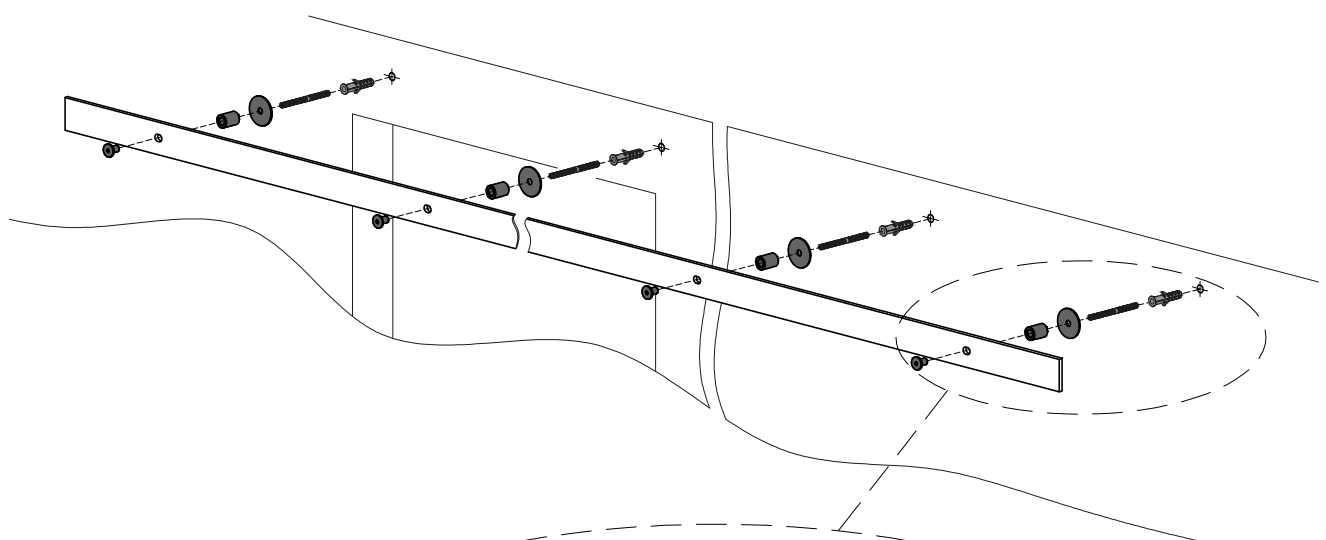
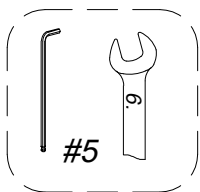
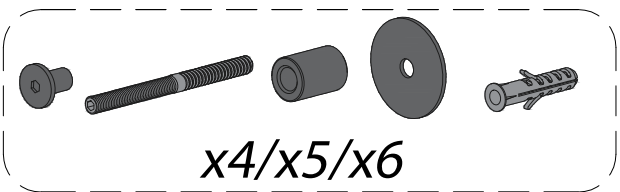
SU5950
SU5951

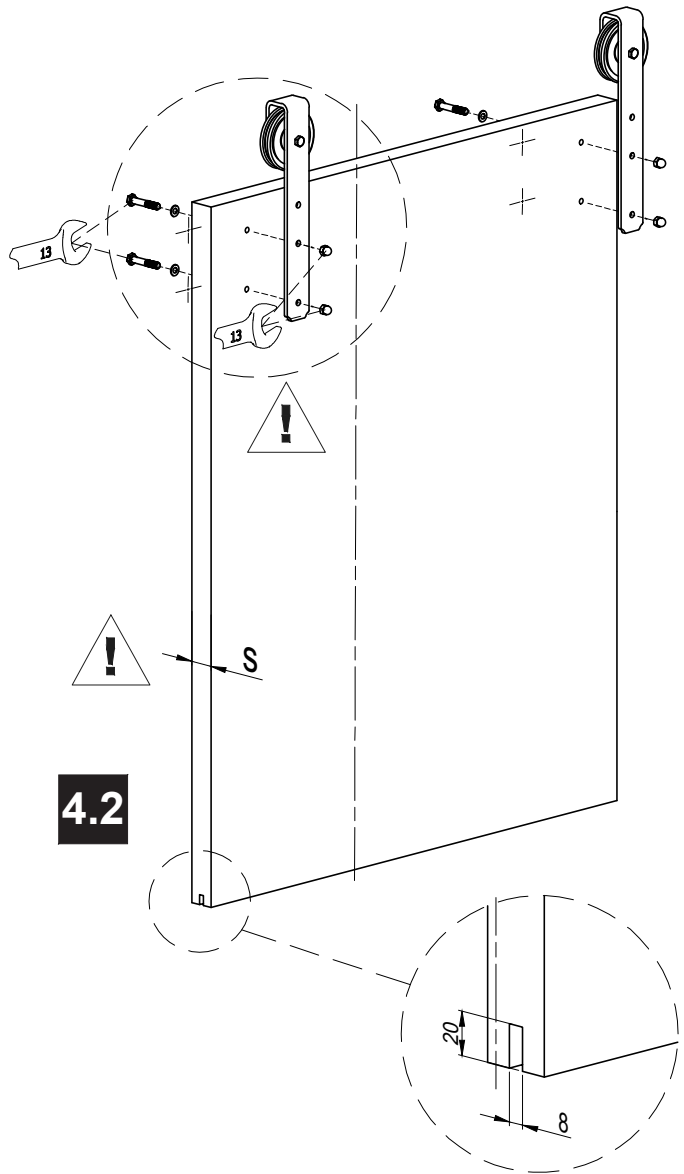
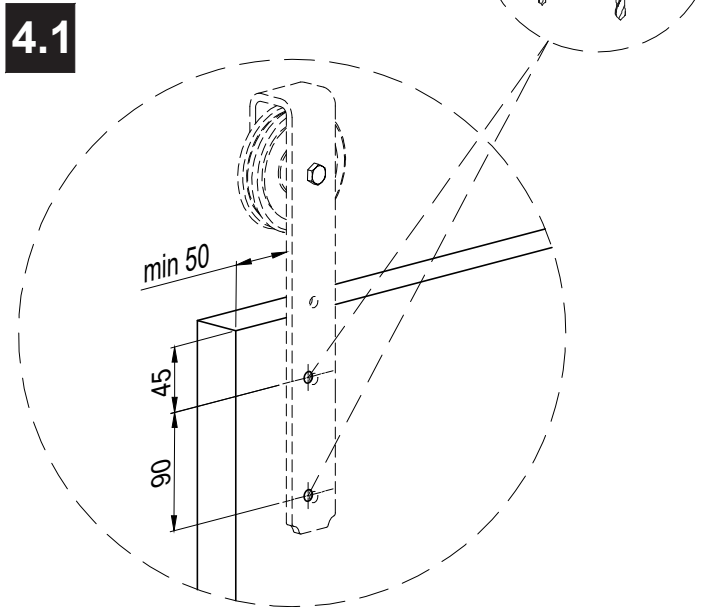
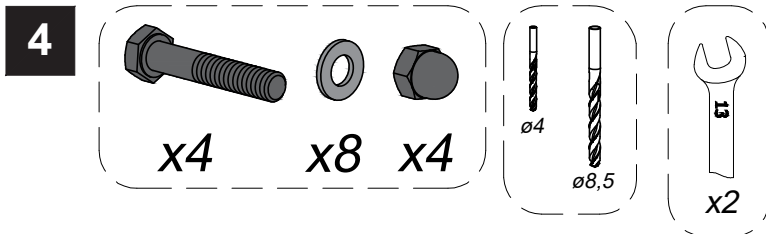
$H_1 = H_0 + 81$
 $H_1 = h + 61$

2

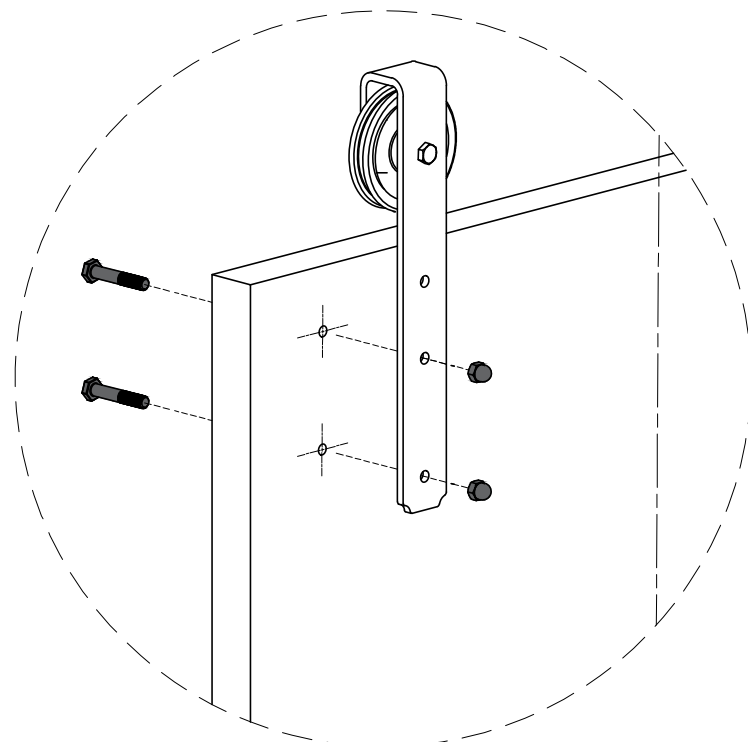
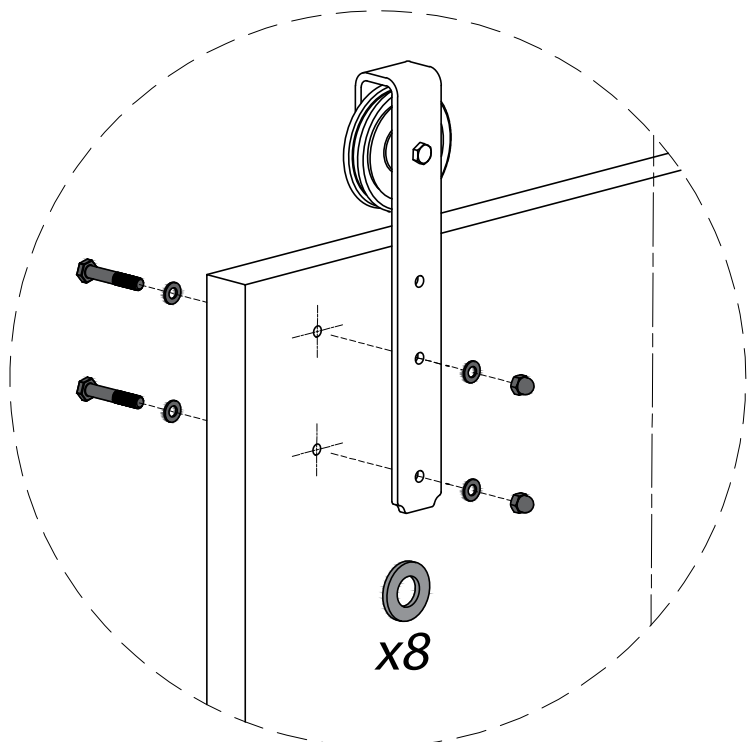


3

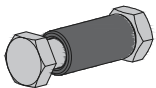




$38 \leq s < 42$



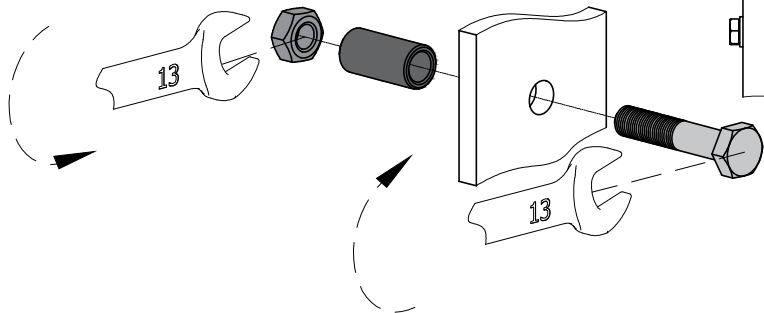
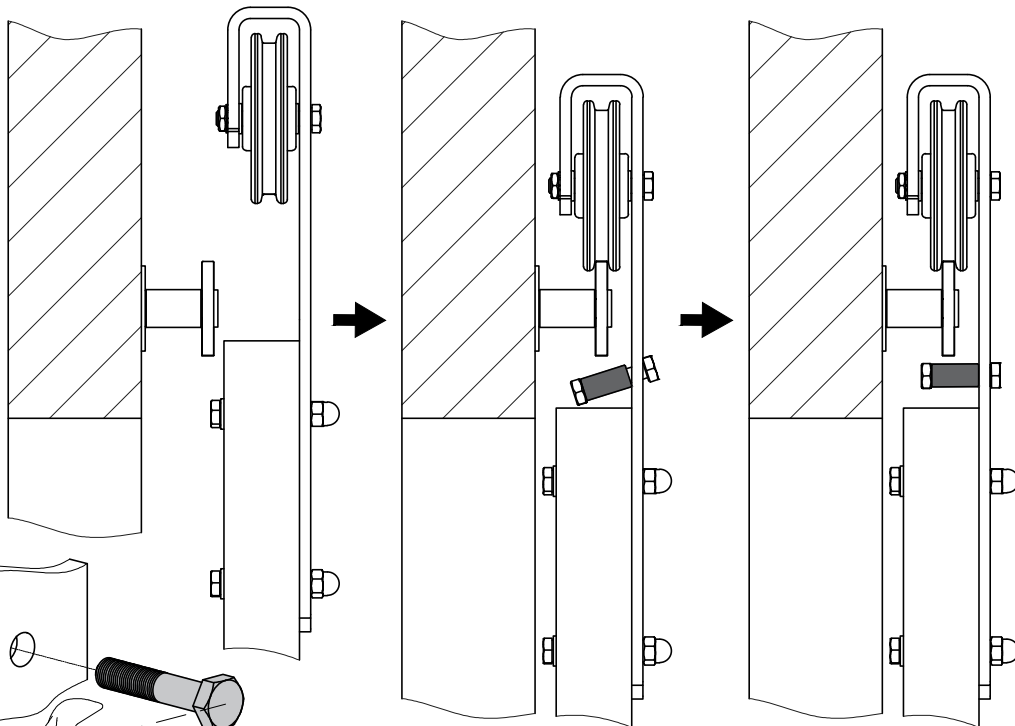
5



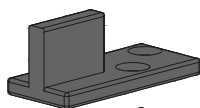
x2



x2



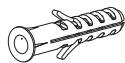
6



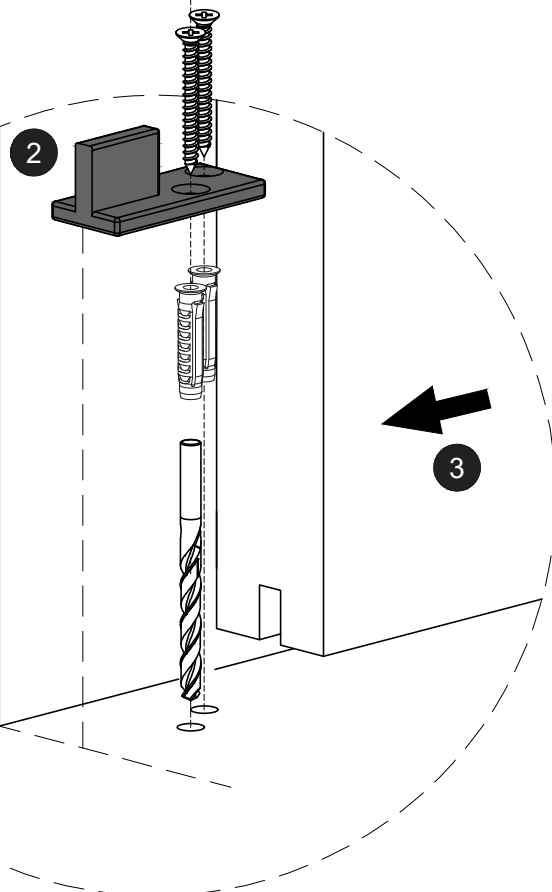
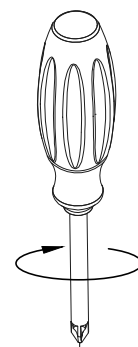
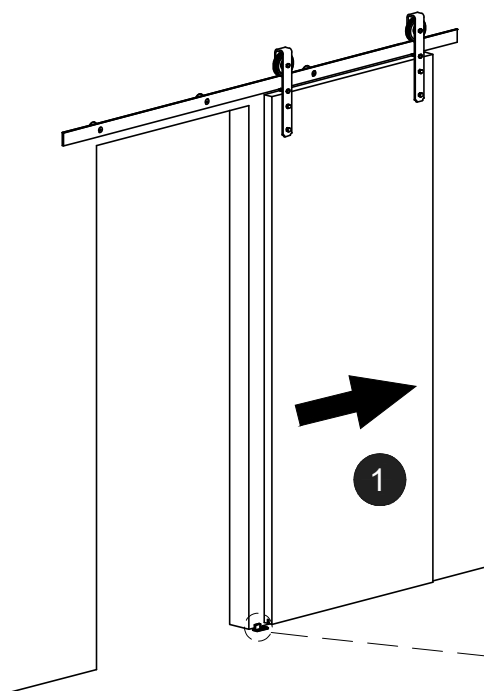
x1



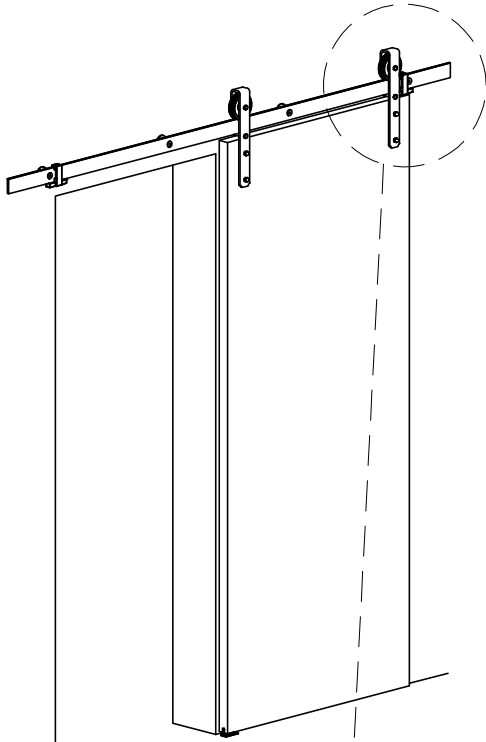
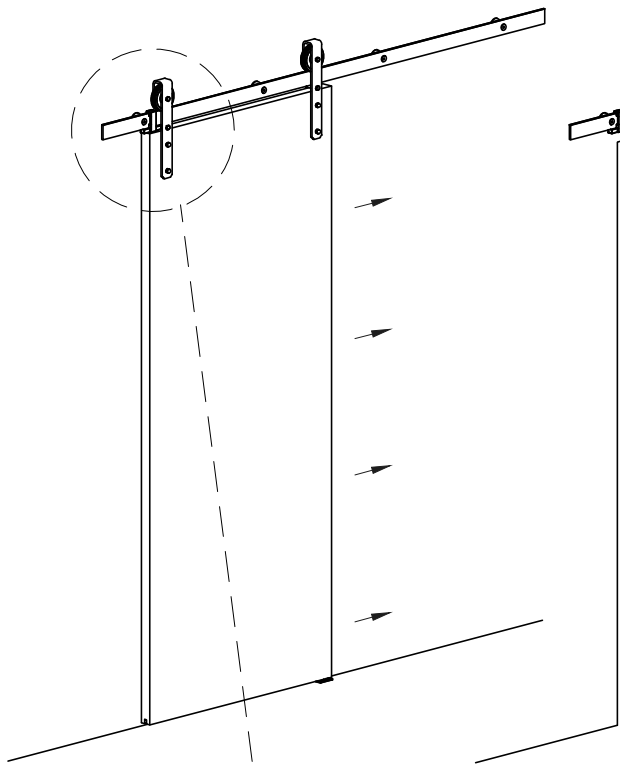
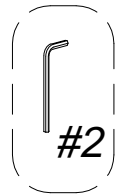
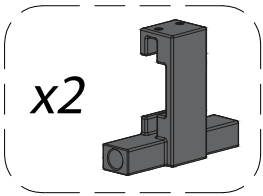
x2



ø6



7



7a

7b

