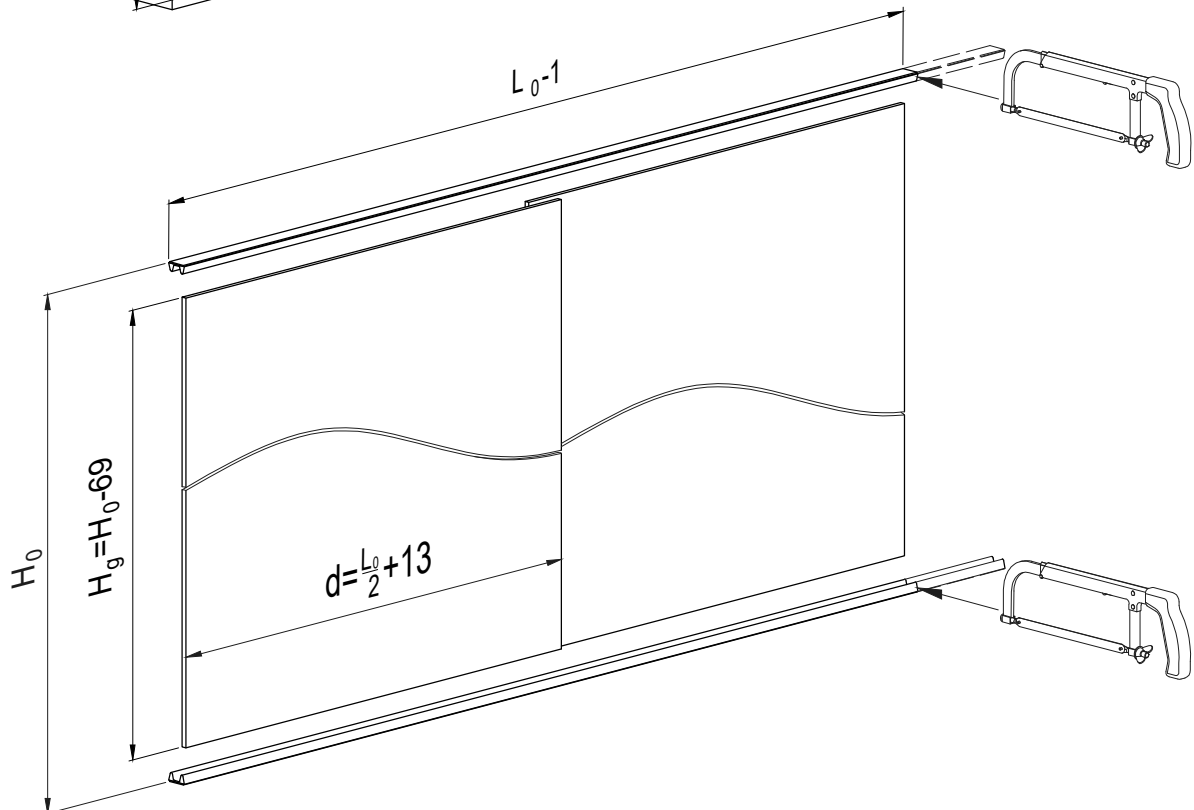
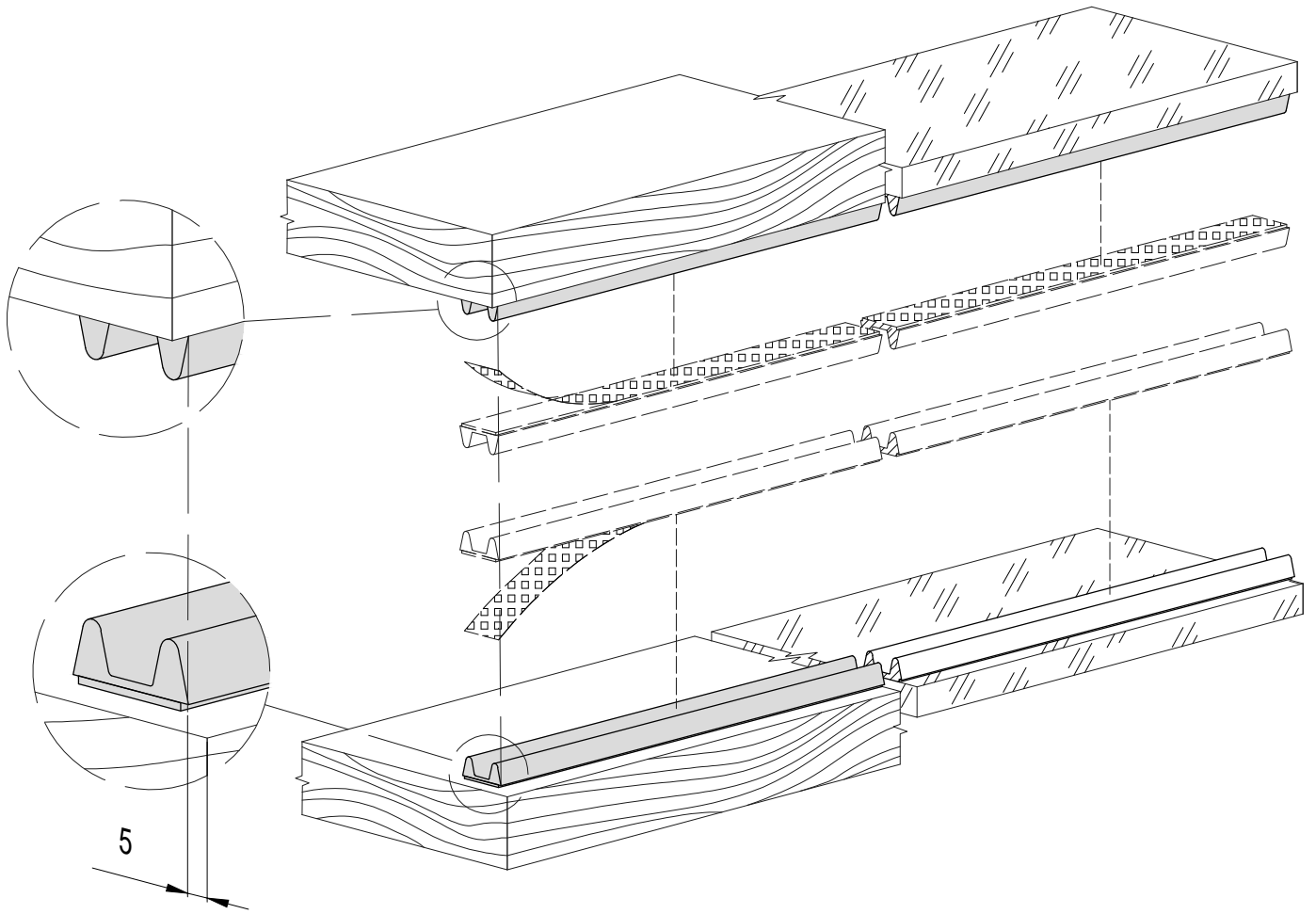


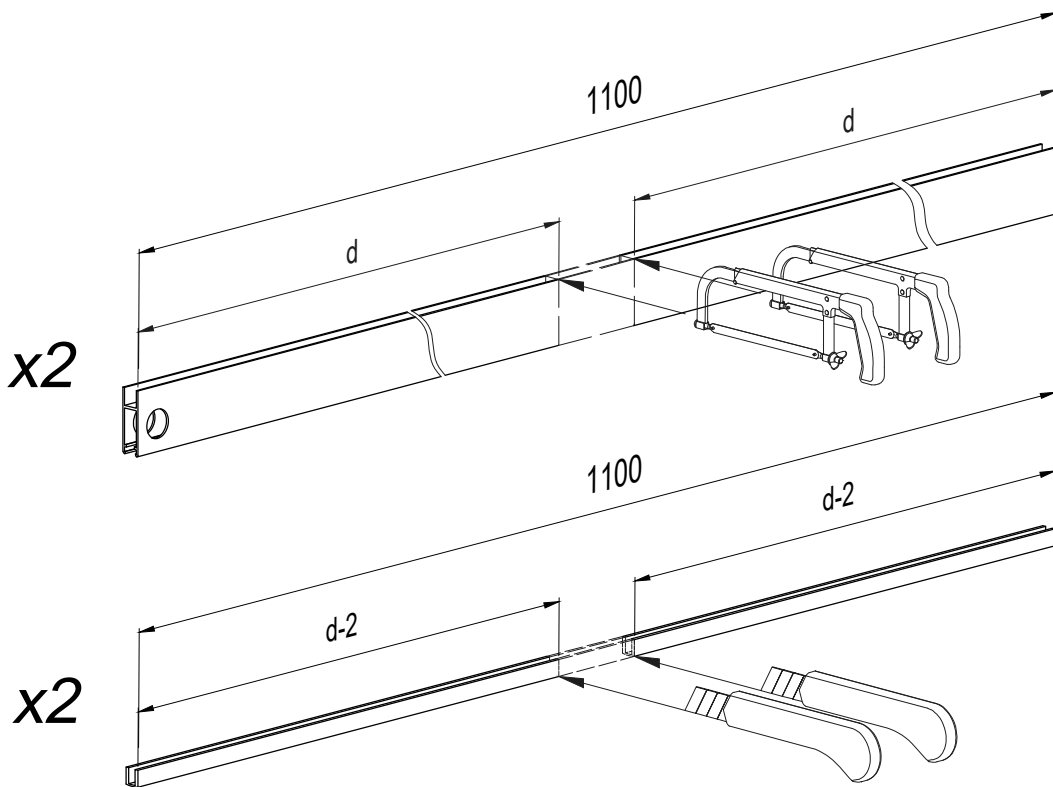
**1**



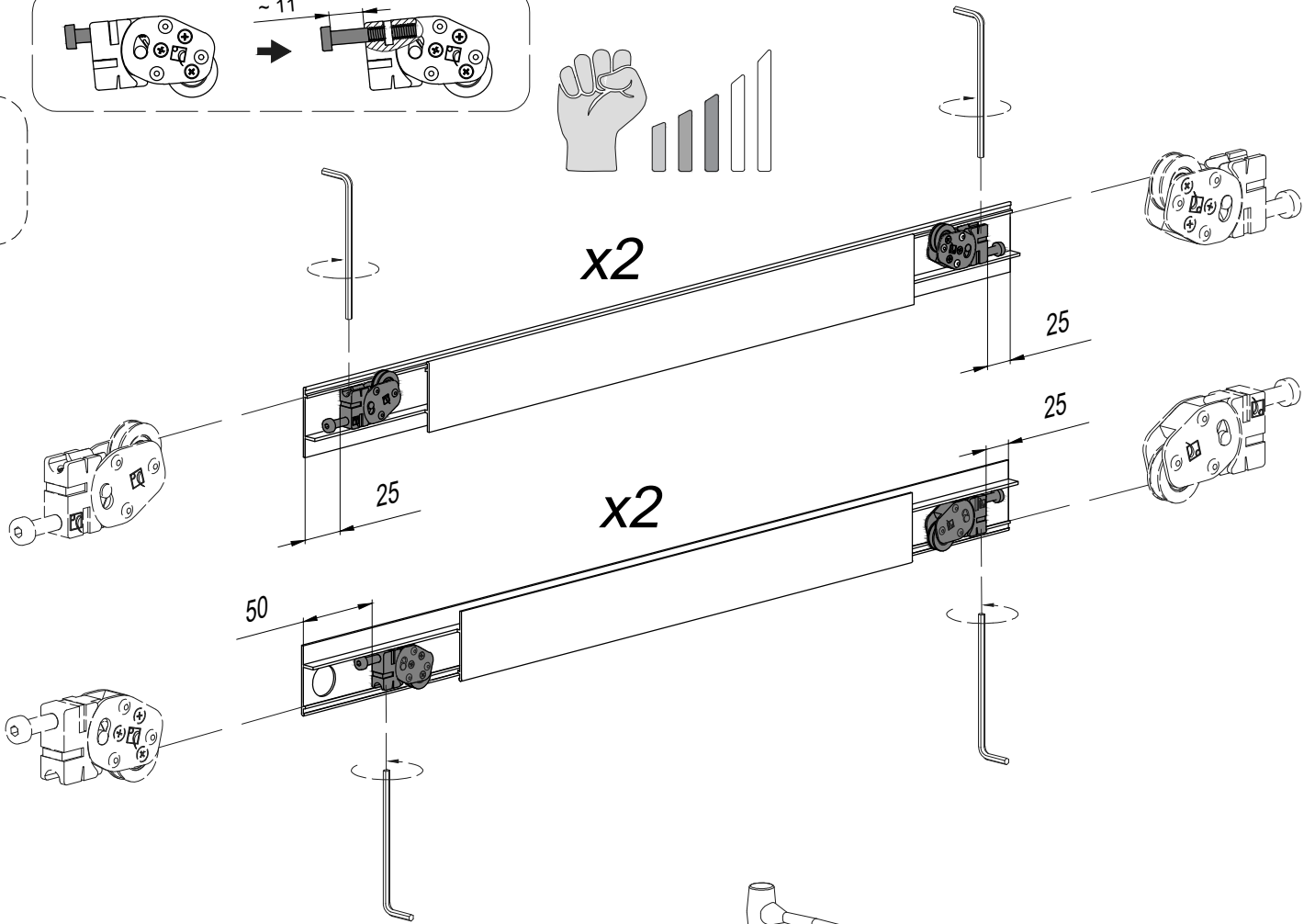
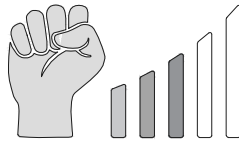
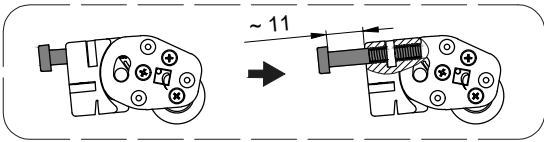
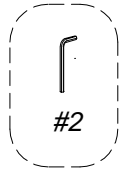
2



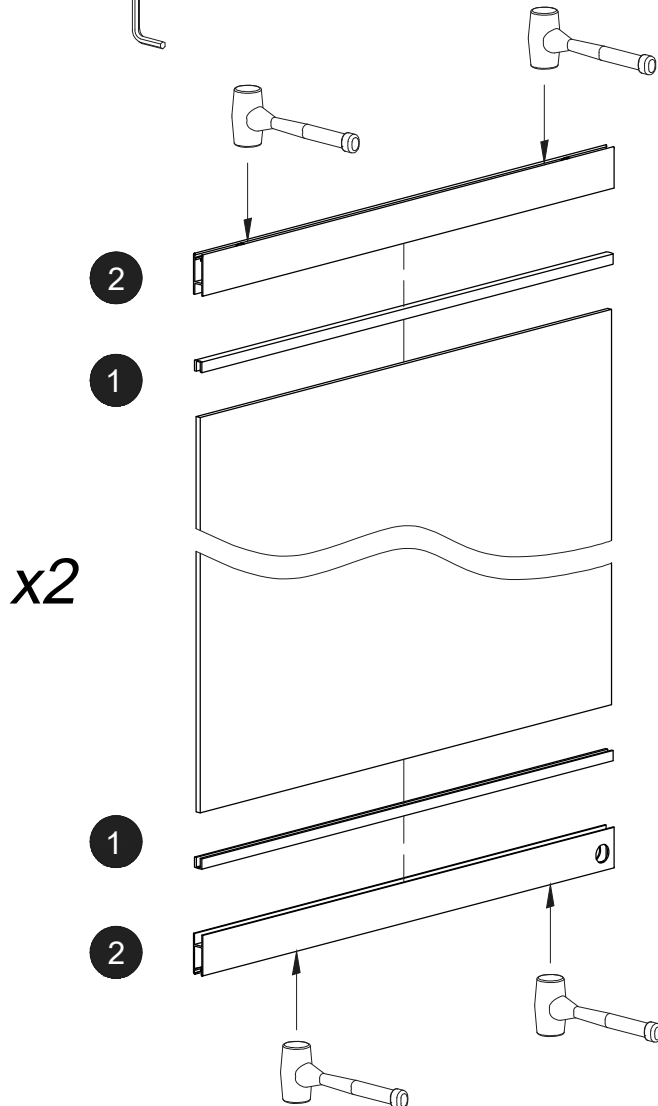
3

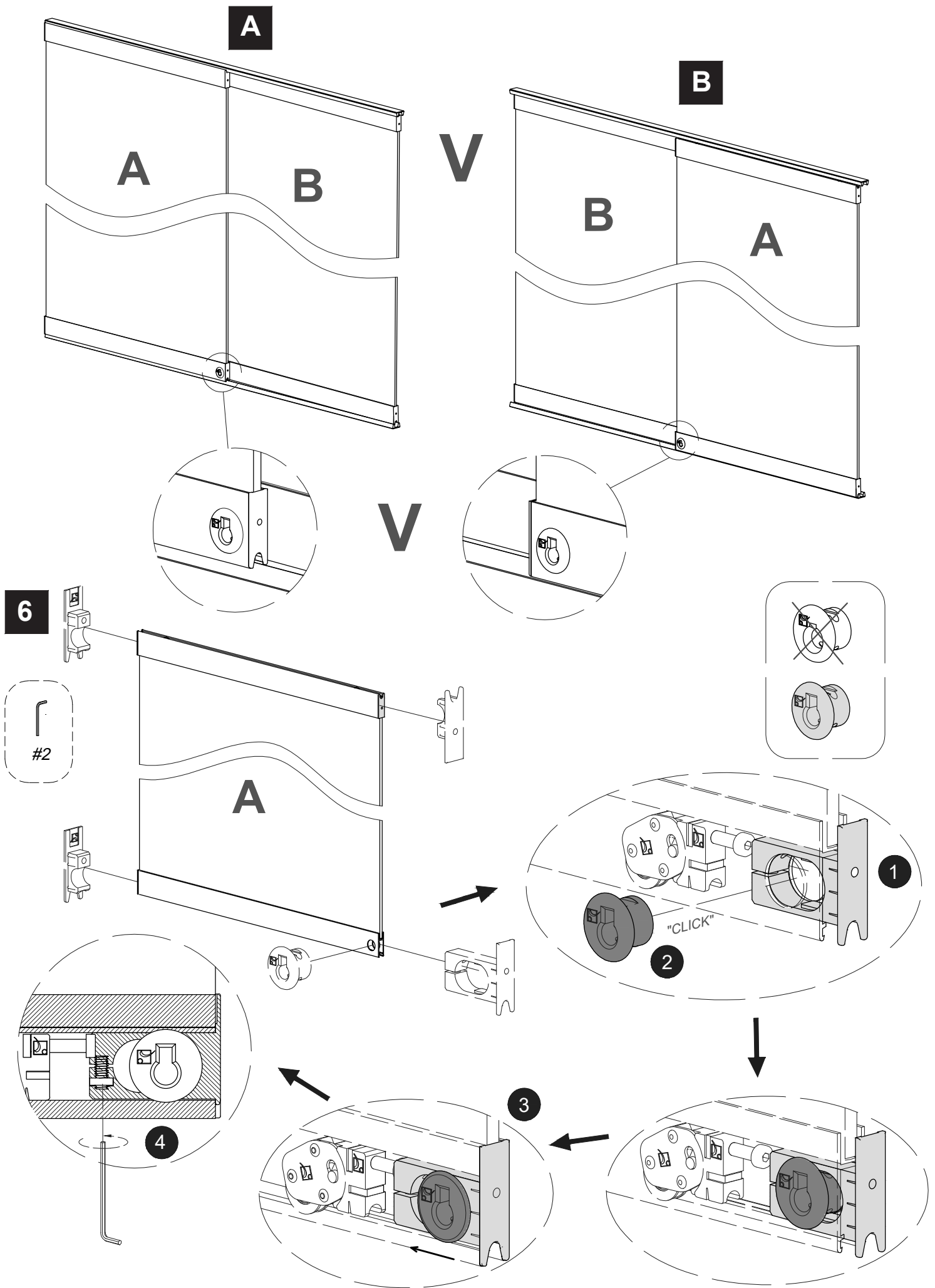


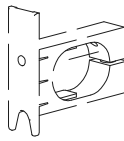
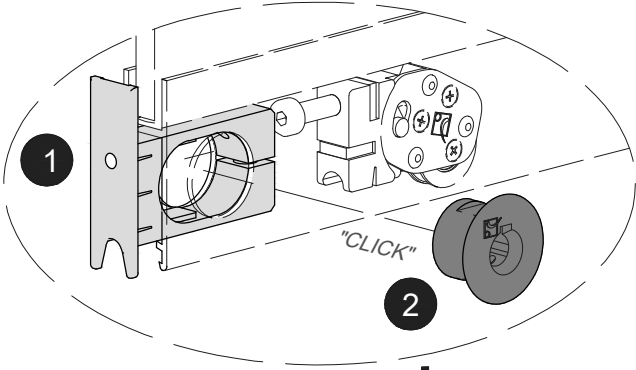
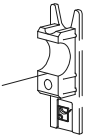
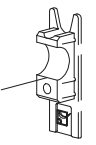
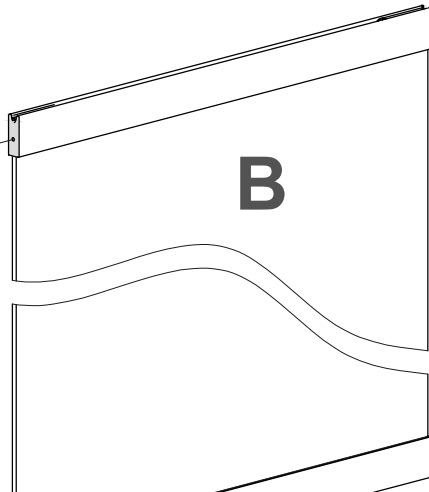
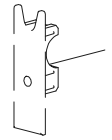
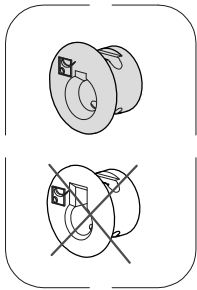
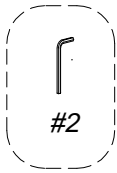
4



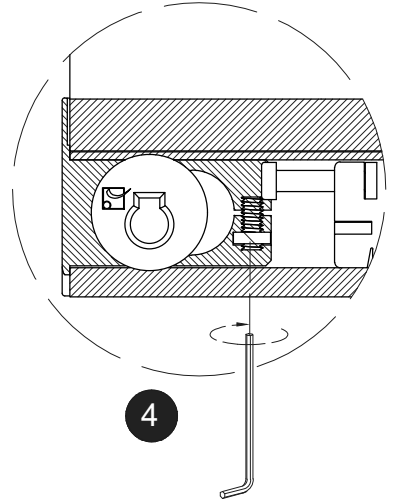
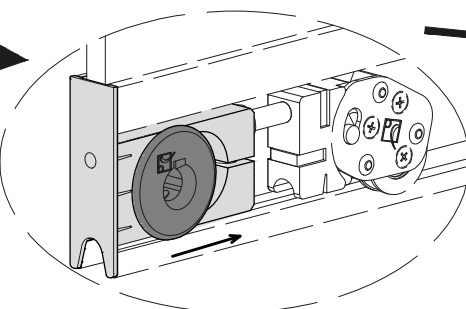
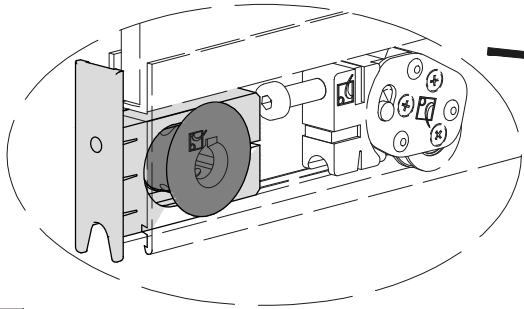
5





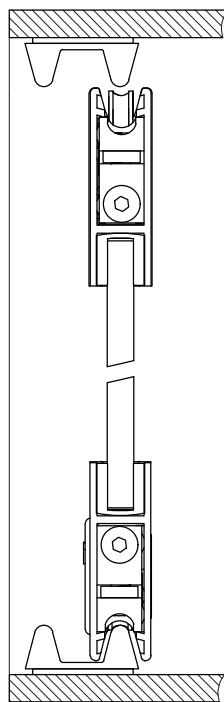
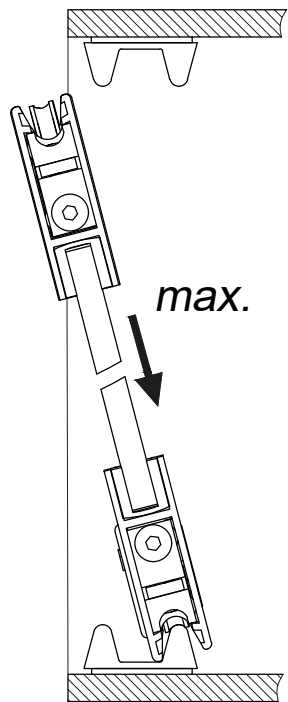
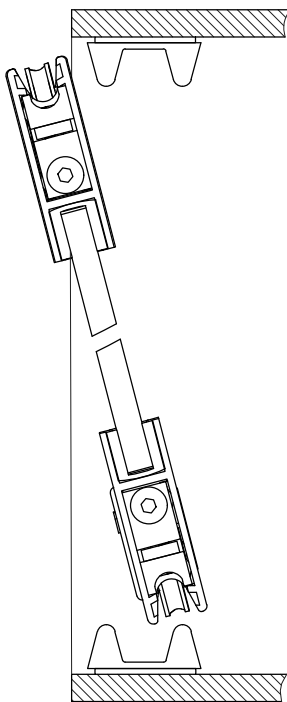


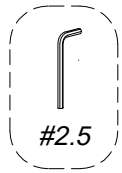
3



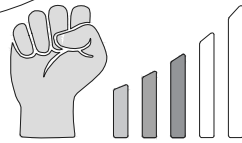
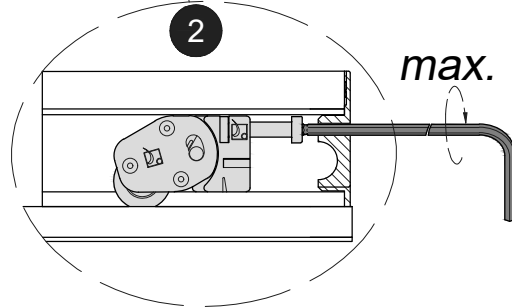
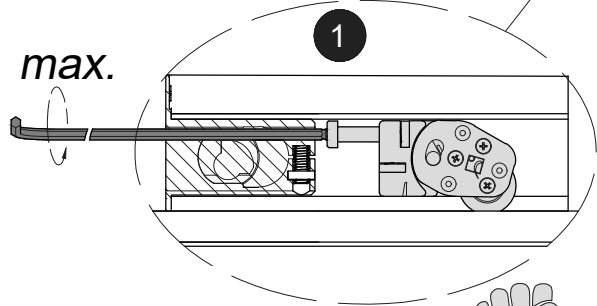
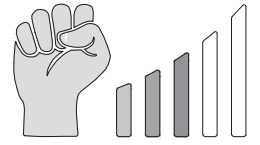
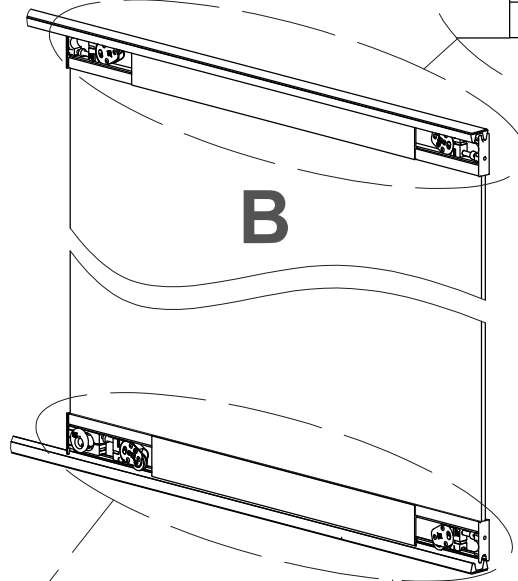
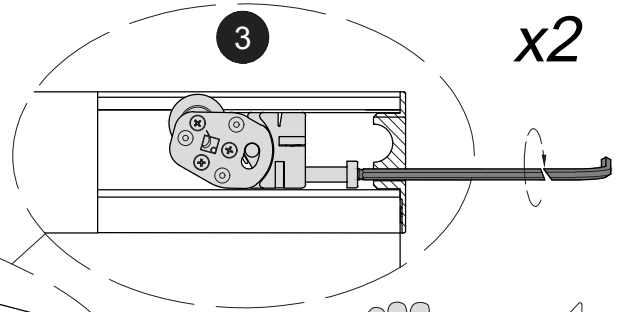
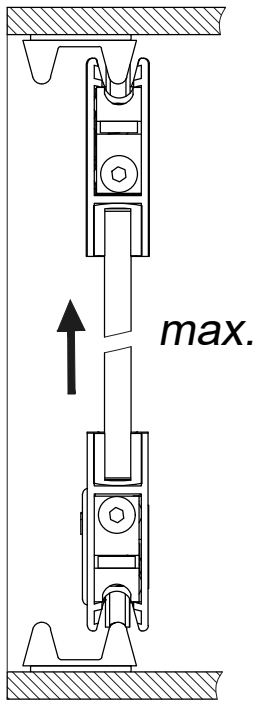
8

8B

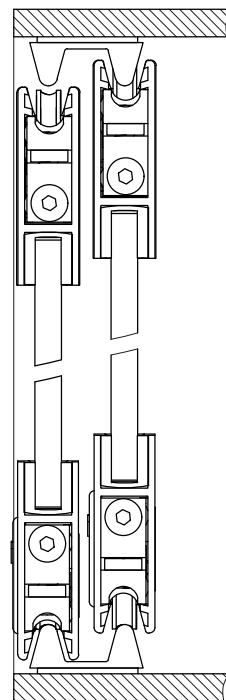
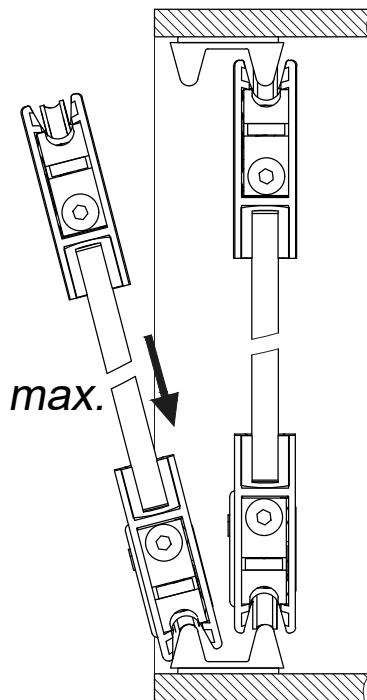
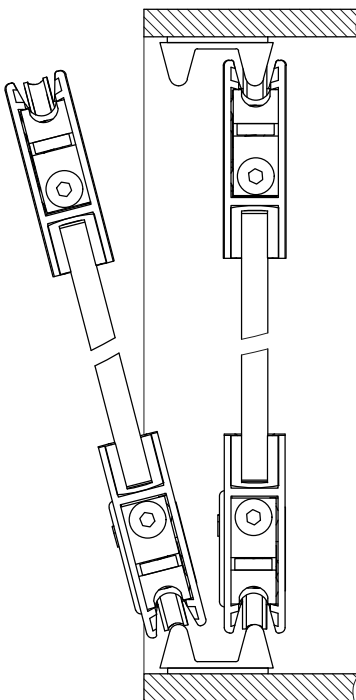


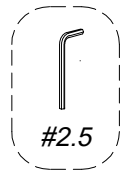


#2.5



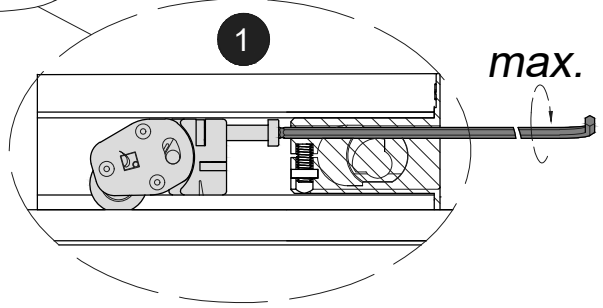
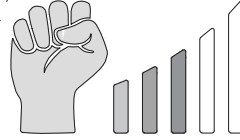
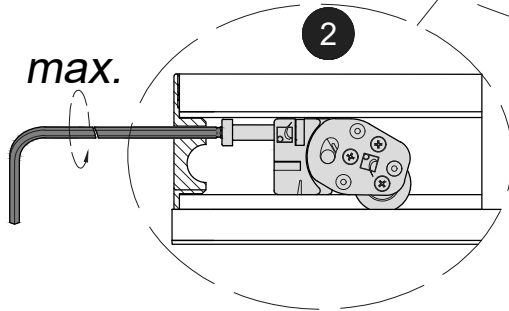
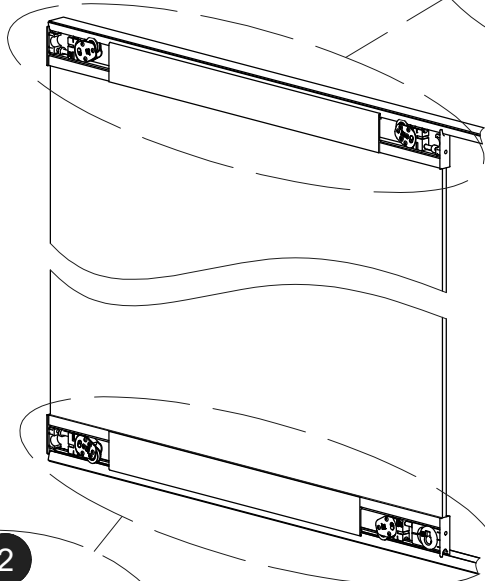
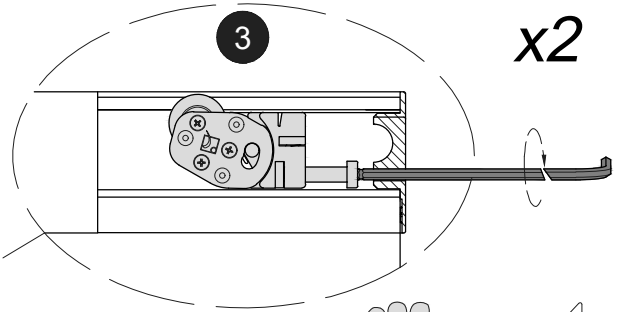
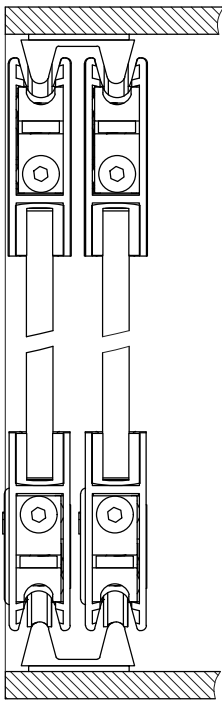
8A





#2.5

↑  
max.



9

