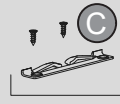




x2



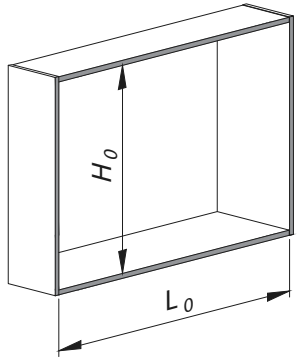
x2



x1



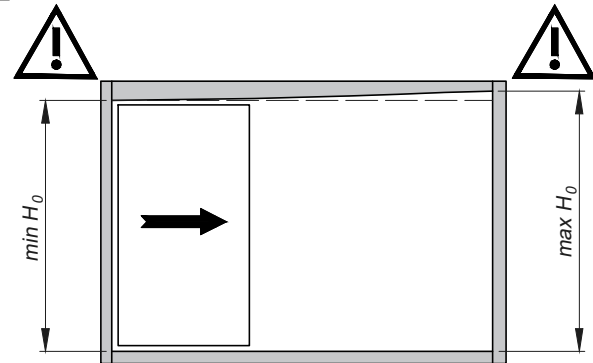
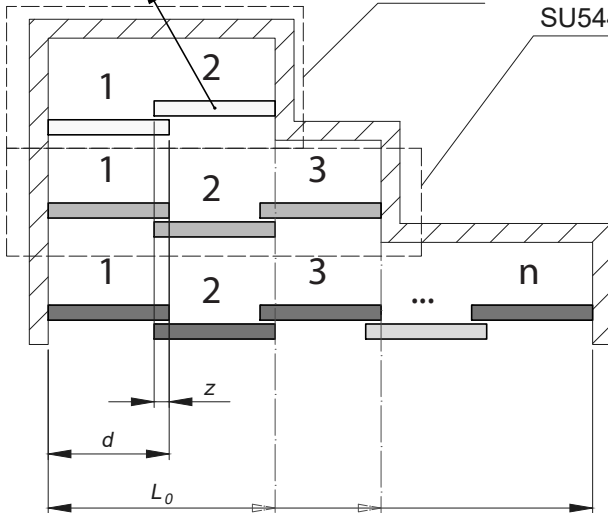
x14



$$d = \frac{L_0 + z}{2}$$

$$z = 40$$

- SU5114
- SU5115
- SU5116
- SU5117
- SU5118
- SU5119
- SU5444

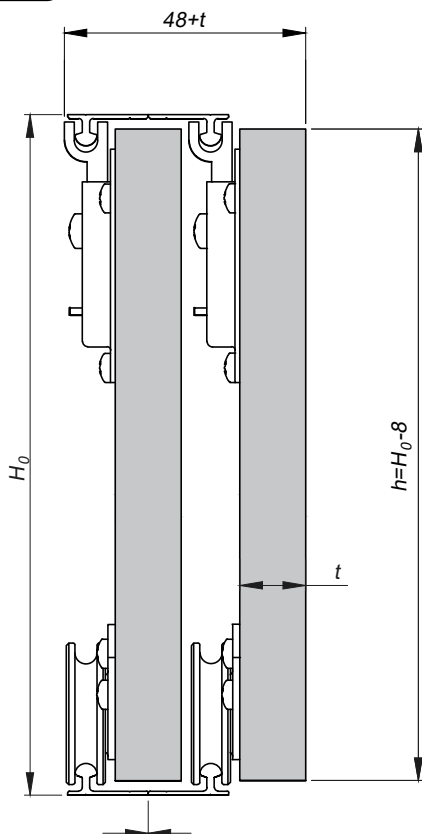


$$\max H_0 - \min H_0 \leq 4$$

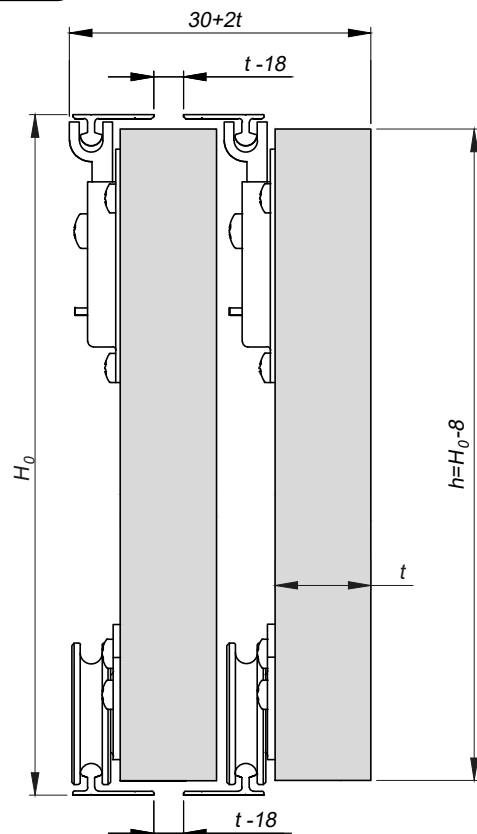
$$d = \frac{L_0 + (n-1) \cdot z}{n}$$

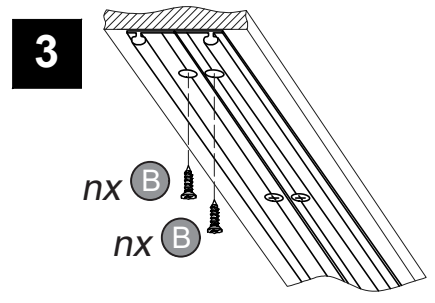
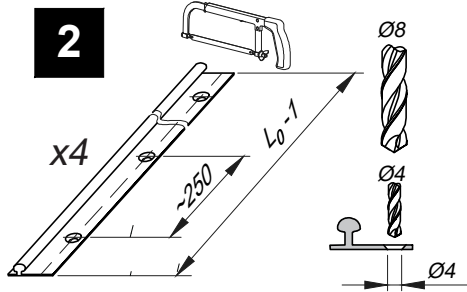
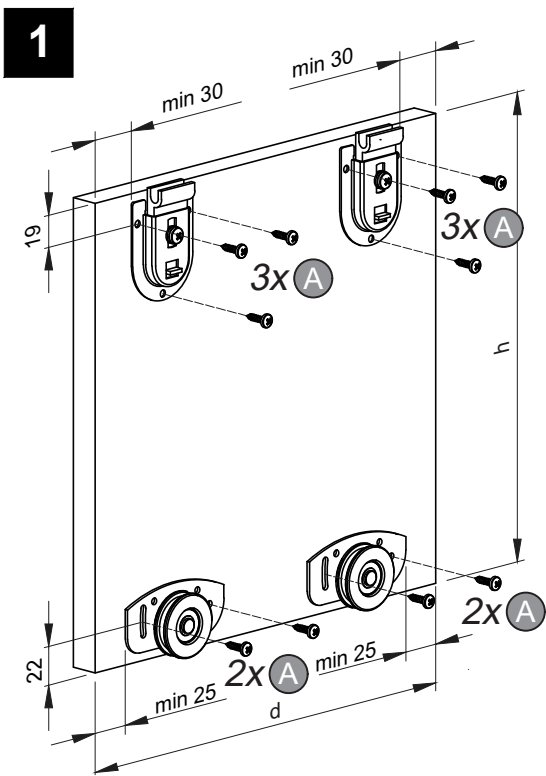
$$z = 40$$

$t \leq 18$



$t > 18$





L [mm]	1200	1500	1800	1940	2000	2400	3000
n	5	7	7	8	8	9	11

