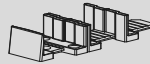




x2



x2



x1



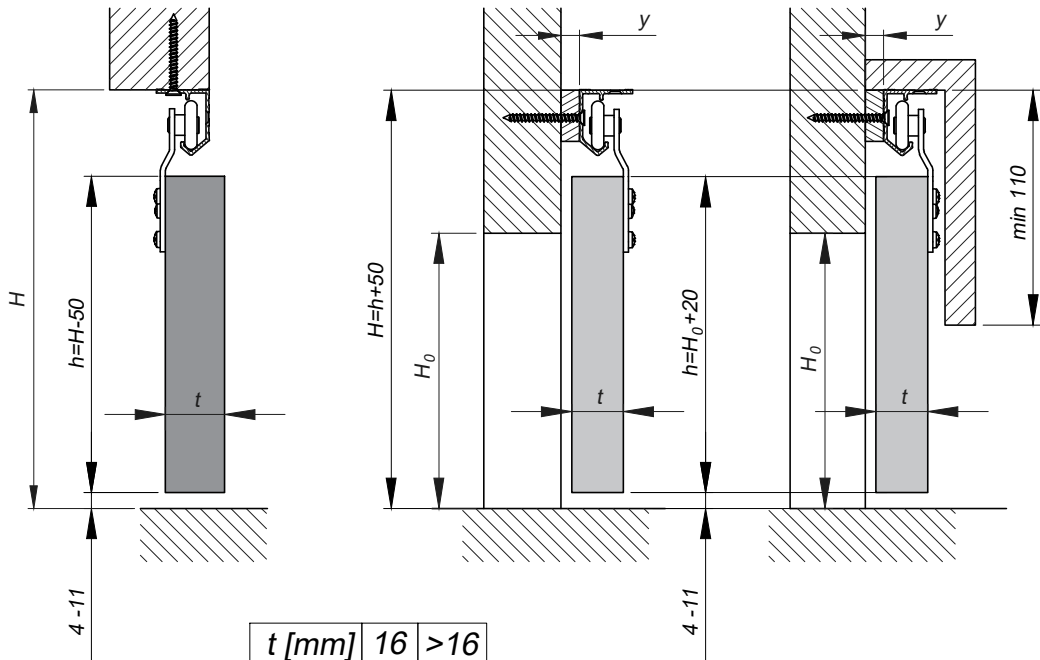
x1



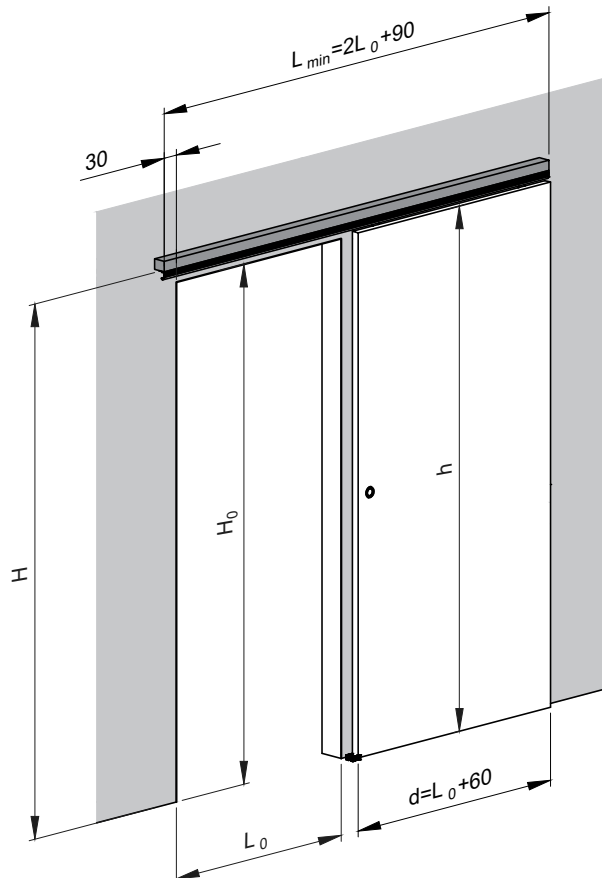
x8

45  
kg

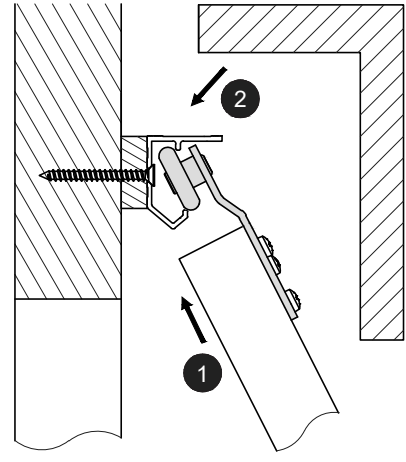
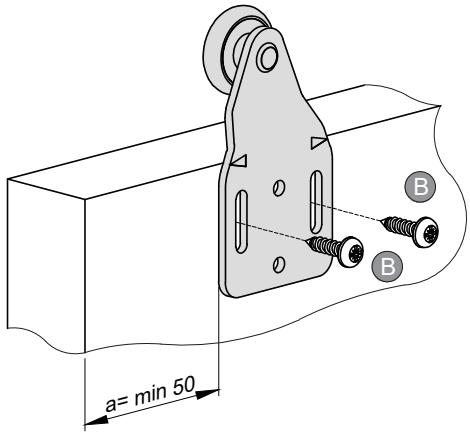
**1**



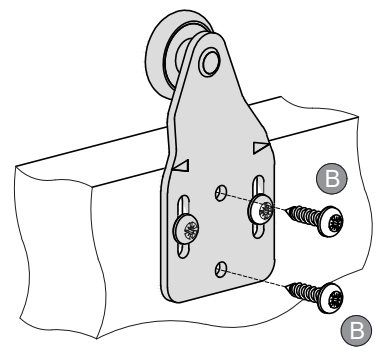
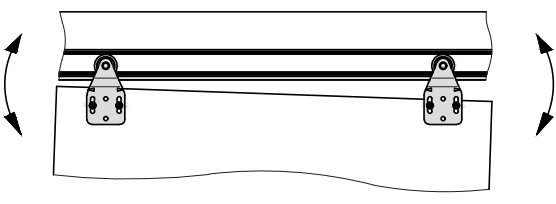
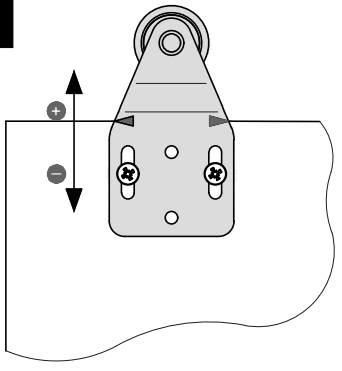
t [mm]	16	>16
y [mm]	0	t-16



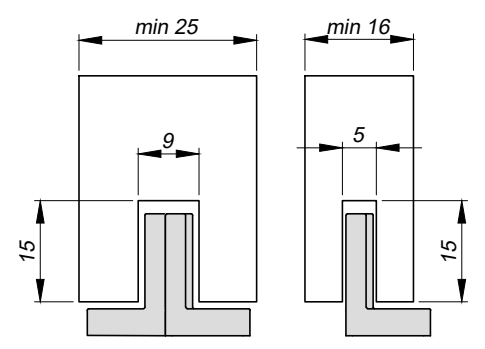
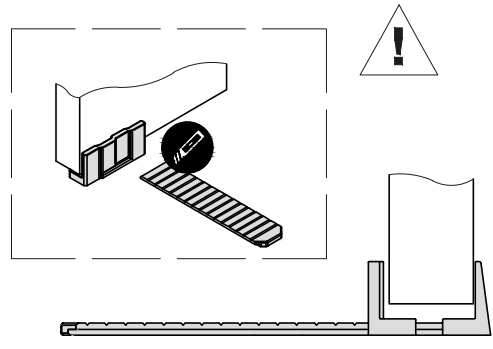
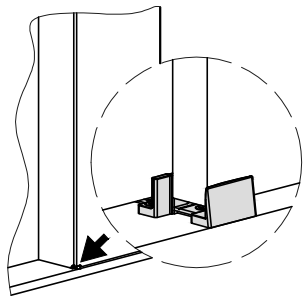
2



3



4



5

