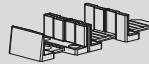




x2



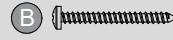
x2



x1



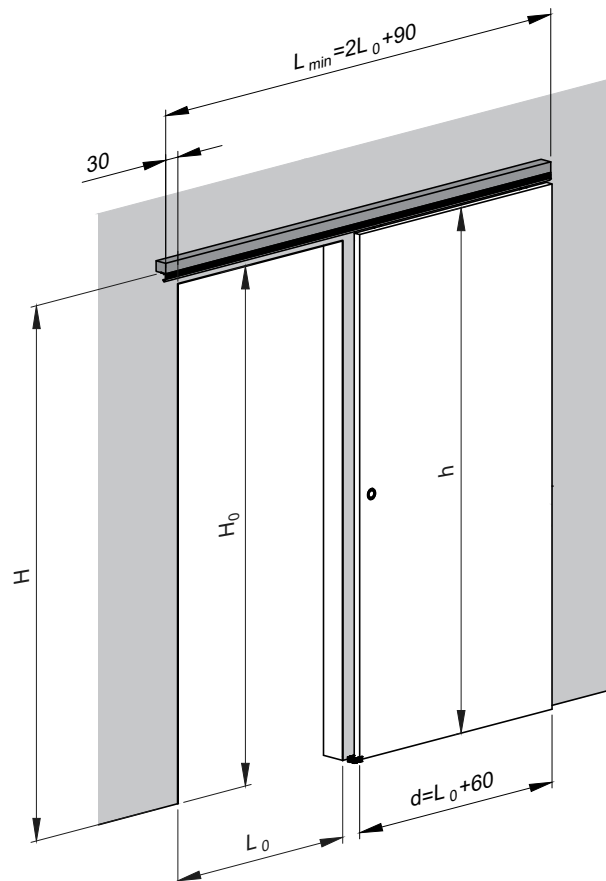
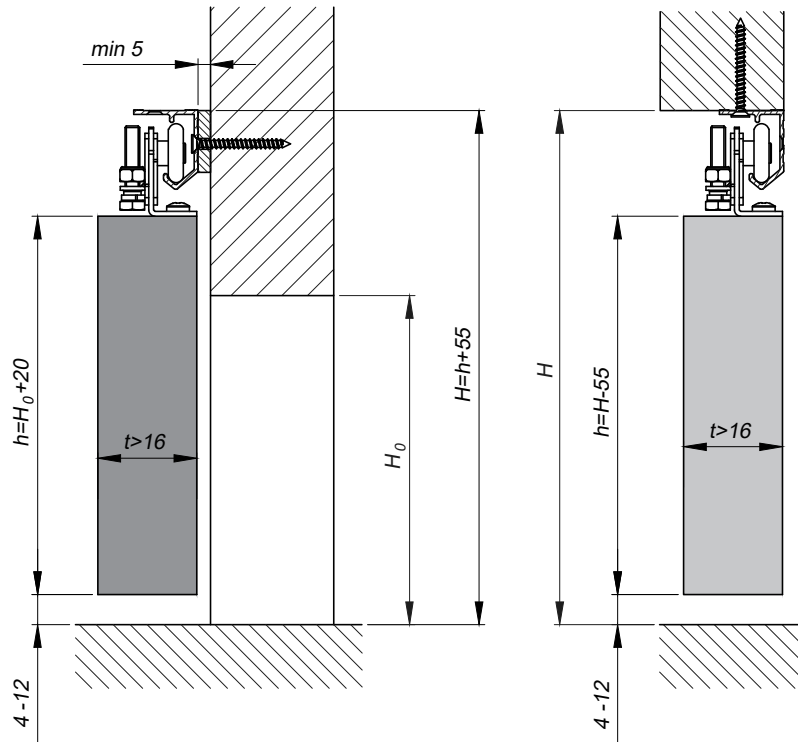
x1



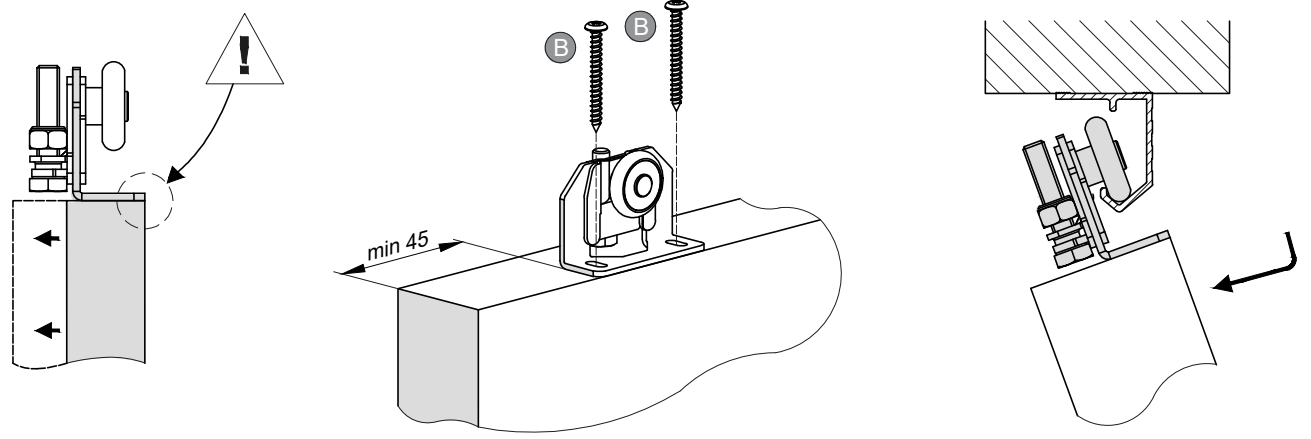
x4

30
kg

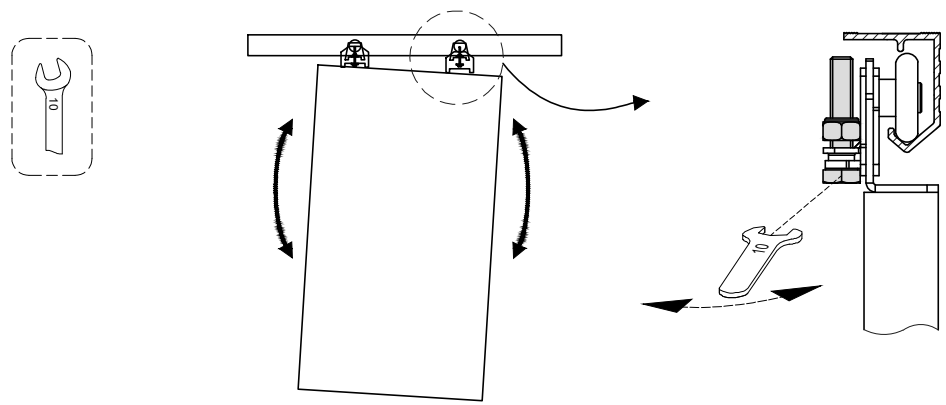
1



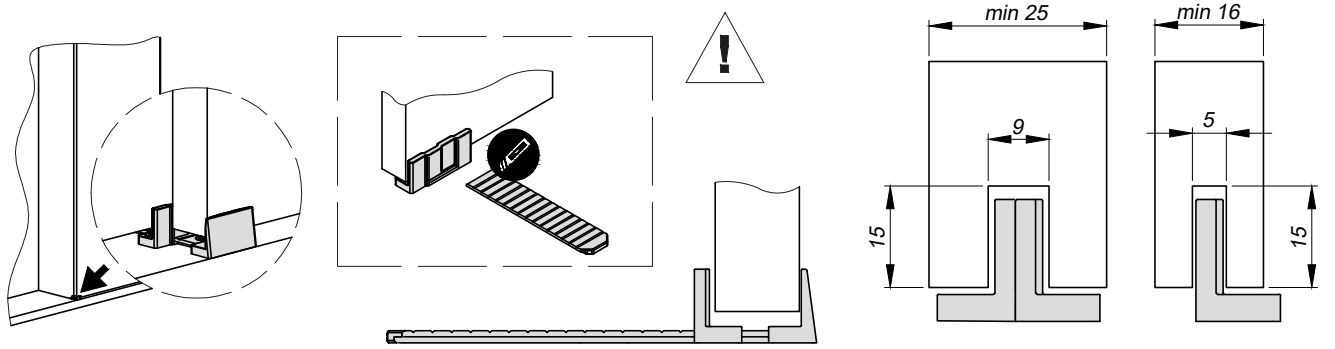
2



3



4



5

