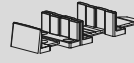


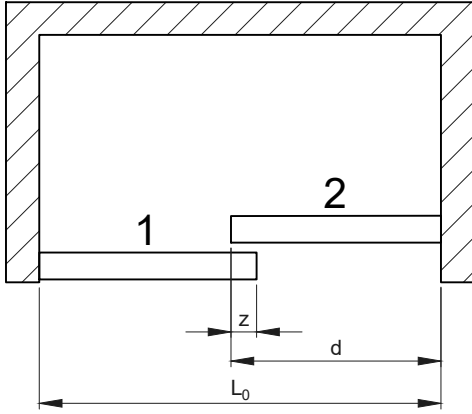
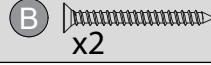
x2



x1

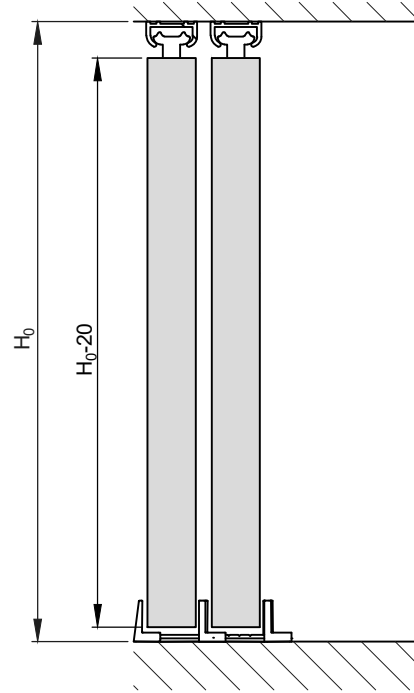


x1

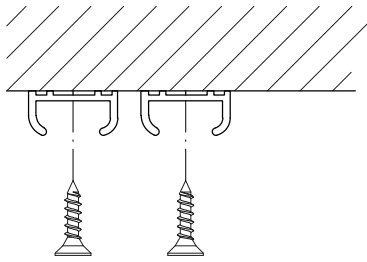


$$d = \frac{(L_0 + z)}{2}$$

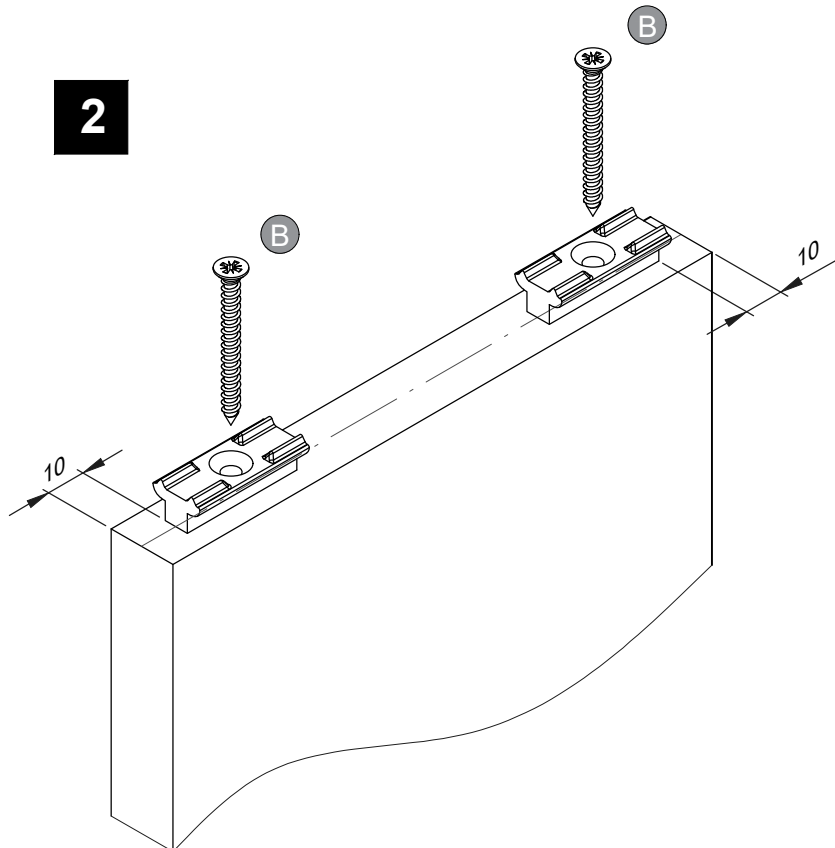
$$z = 40$$



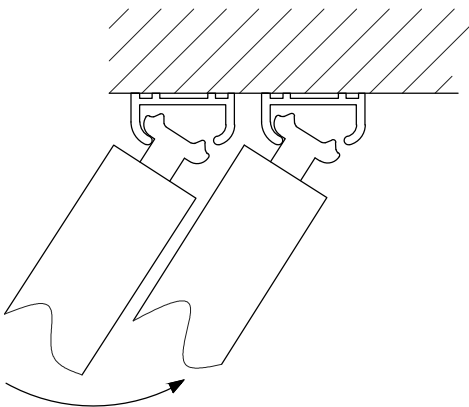
1

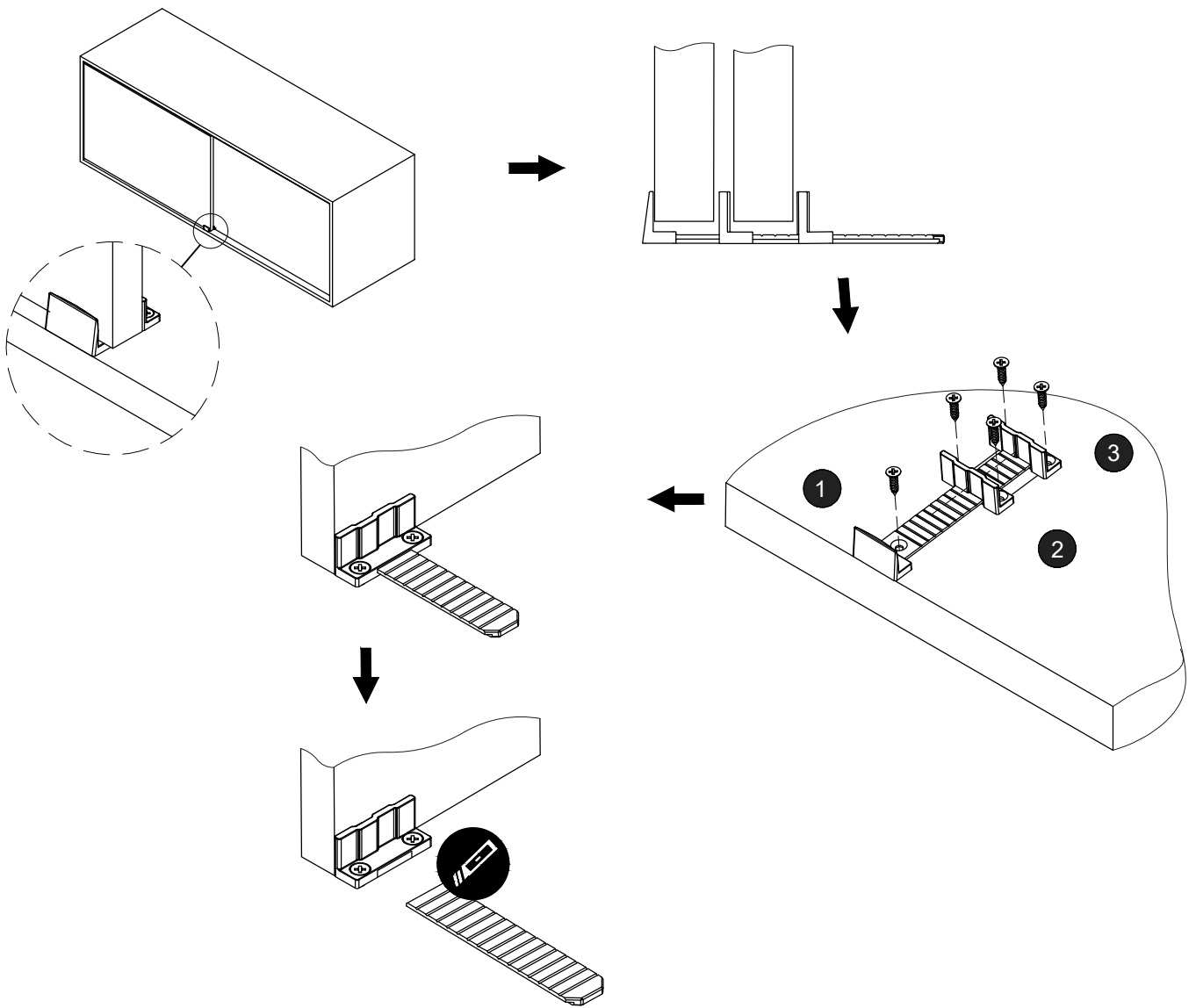


2



3



4**5**