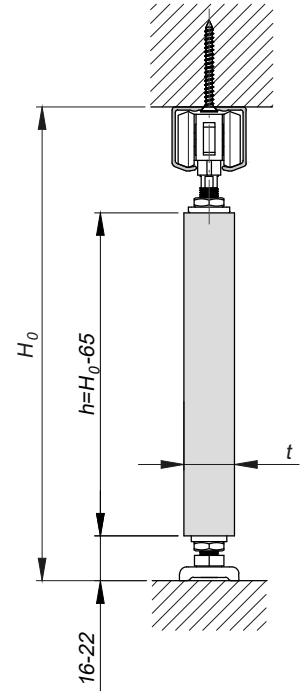
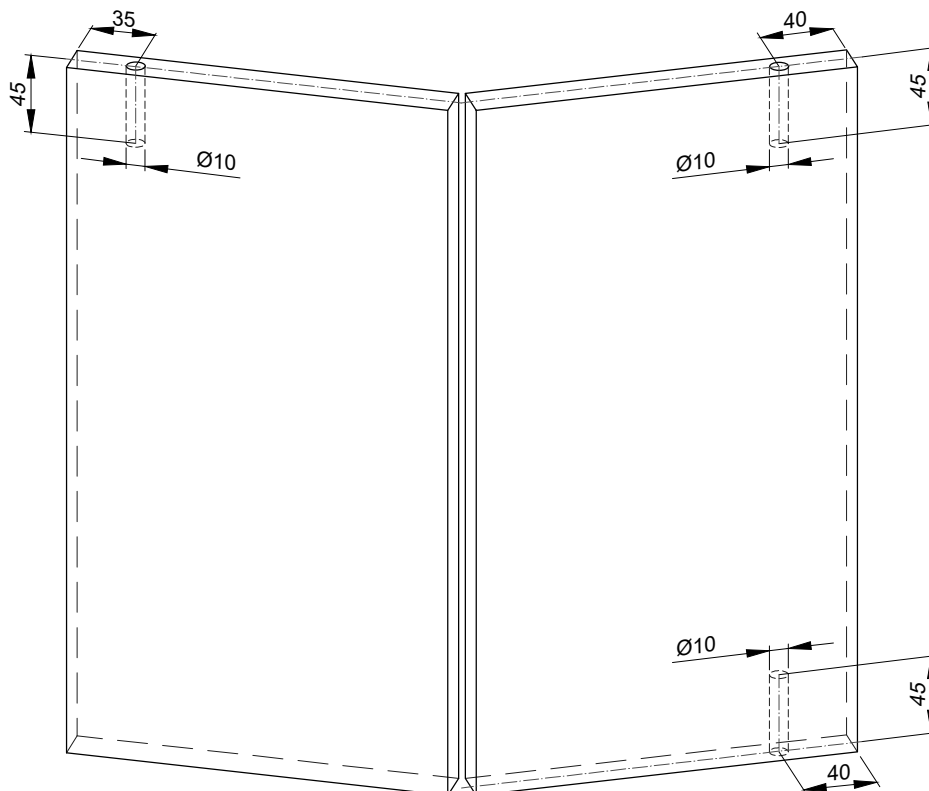
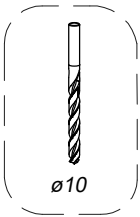


t [mm]	<22	22	25	28	32	40
x [mm]	0	3	4	4	6	6

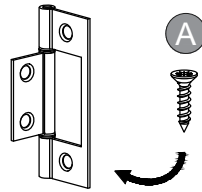
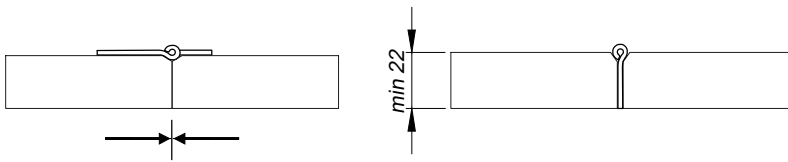
$$d = \frac{L - 2x - 8}{4}$$



1



2



3

