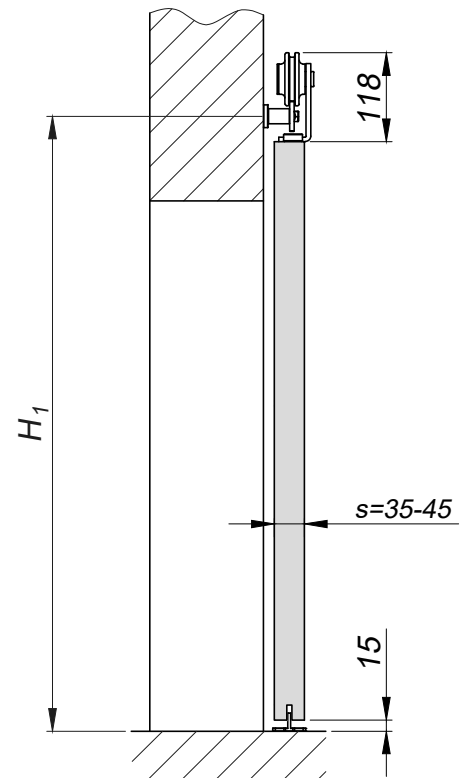
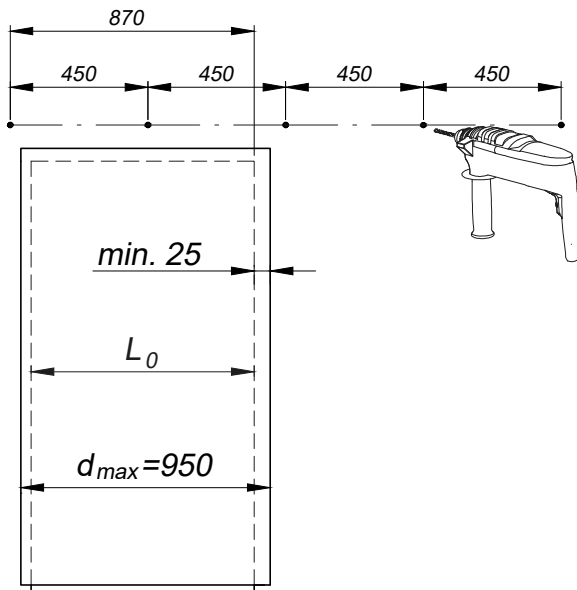
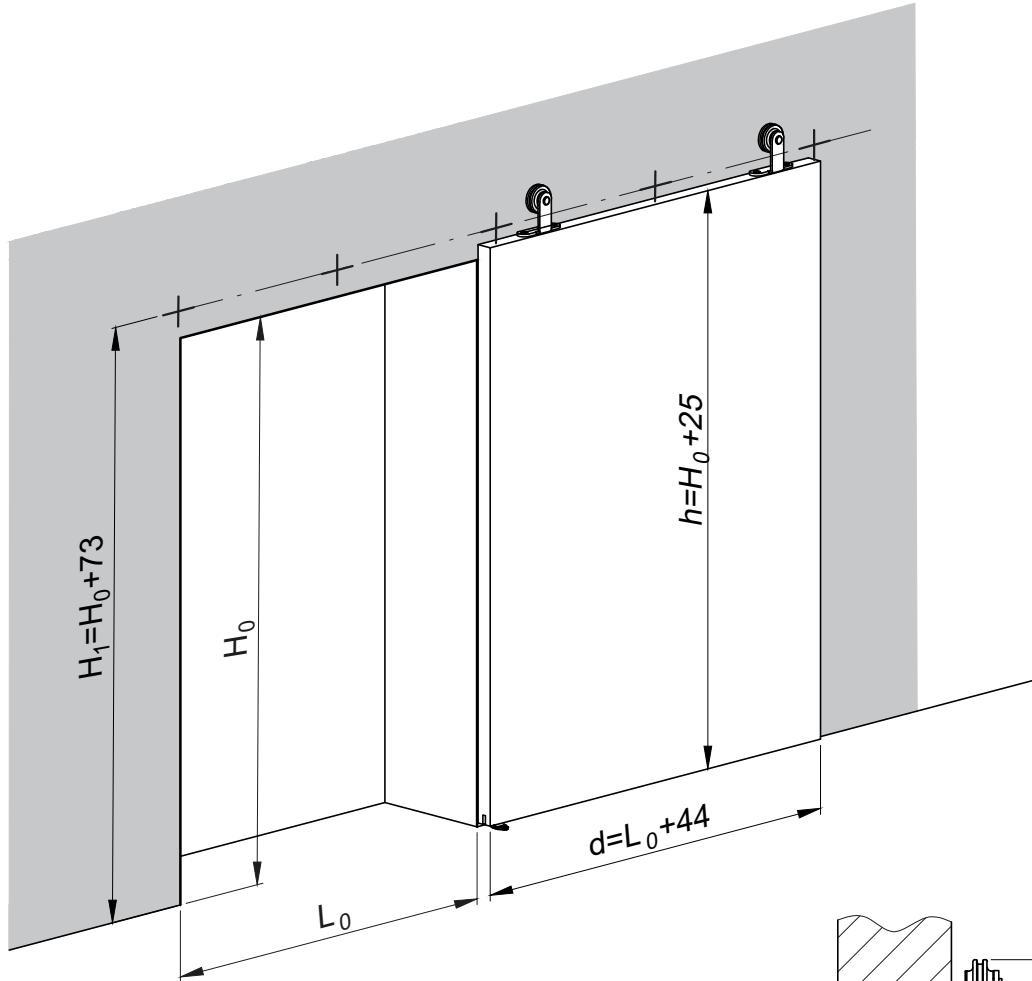
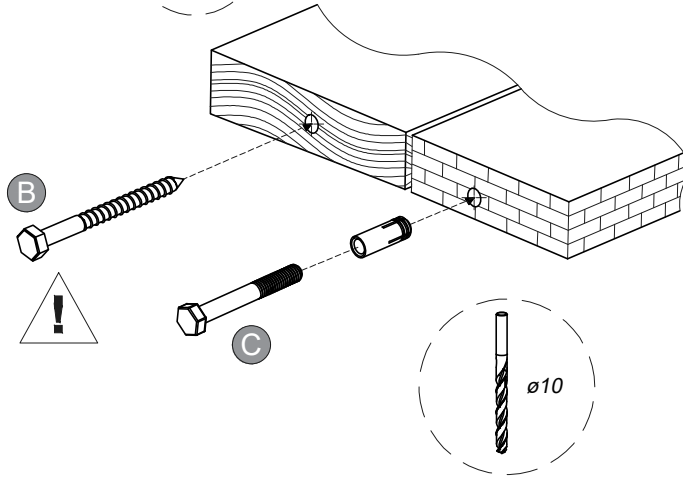
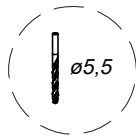
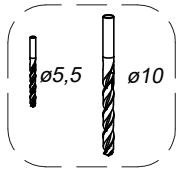


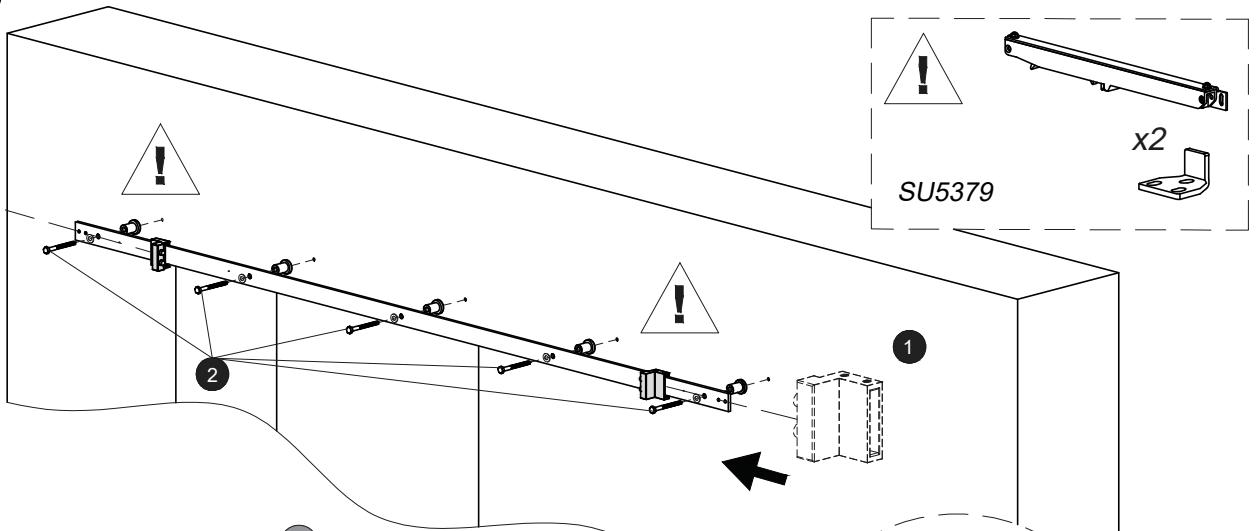
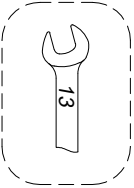
1



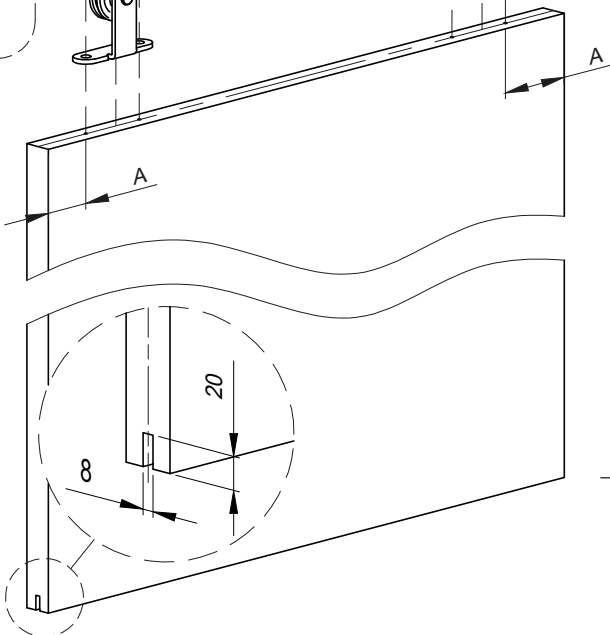
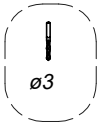
2



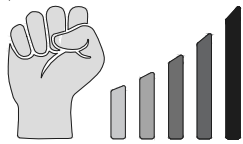
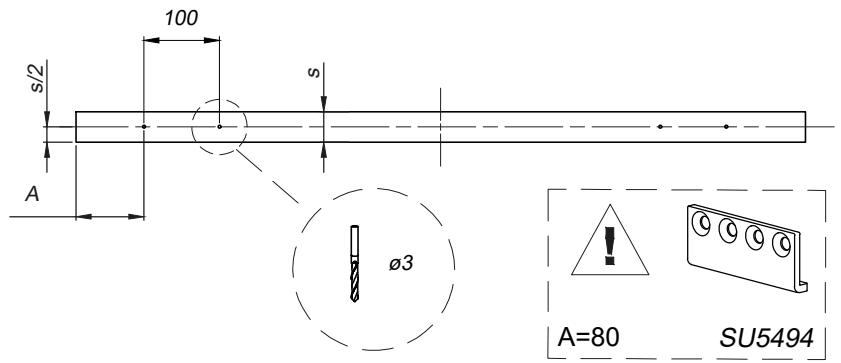
3



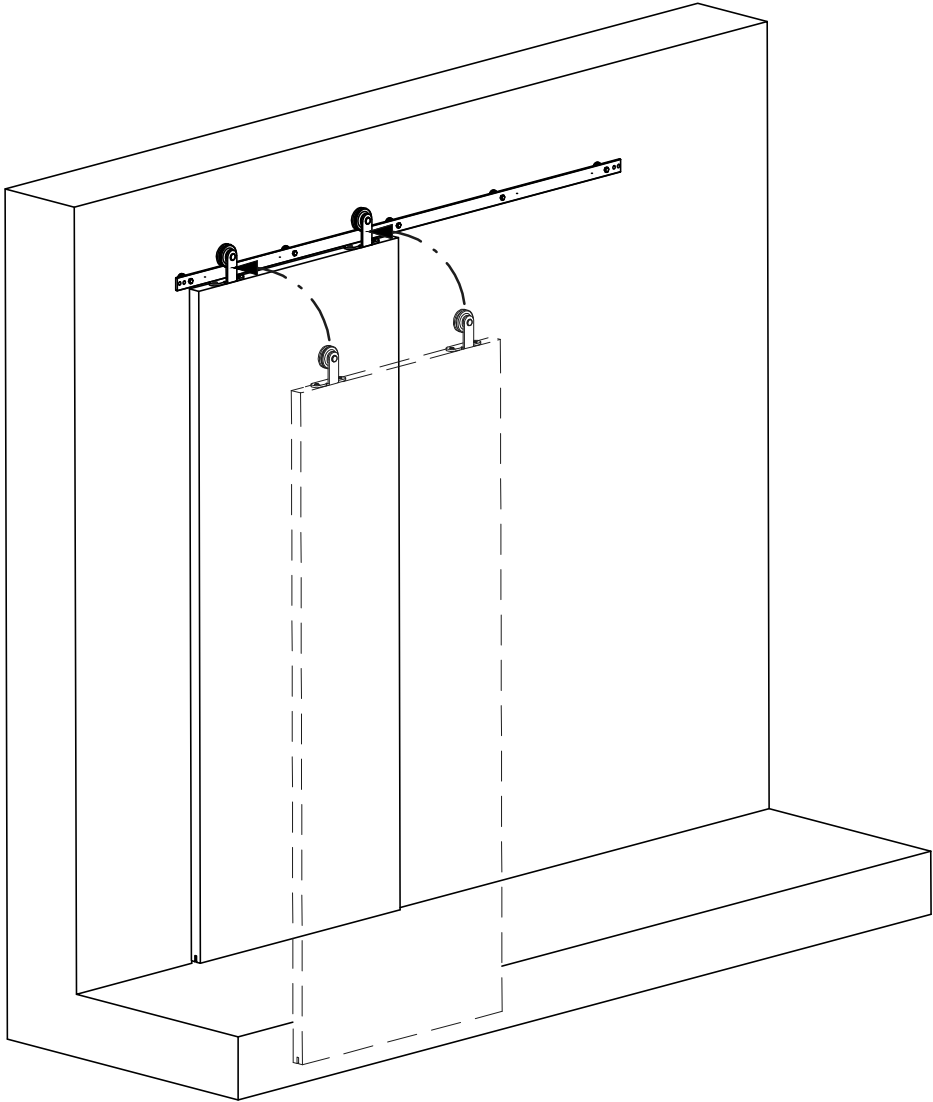
4



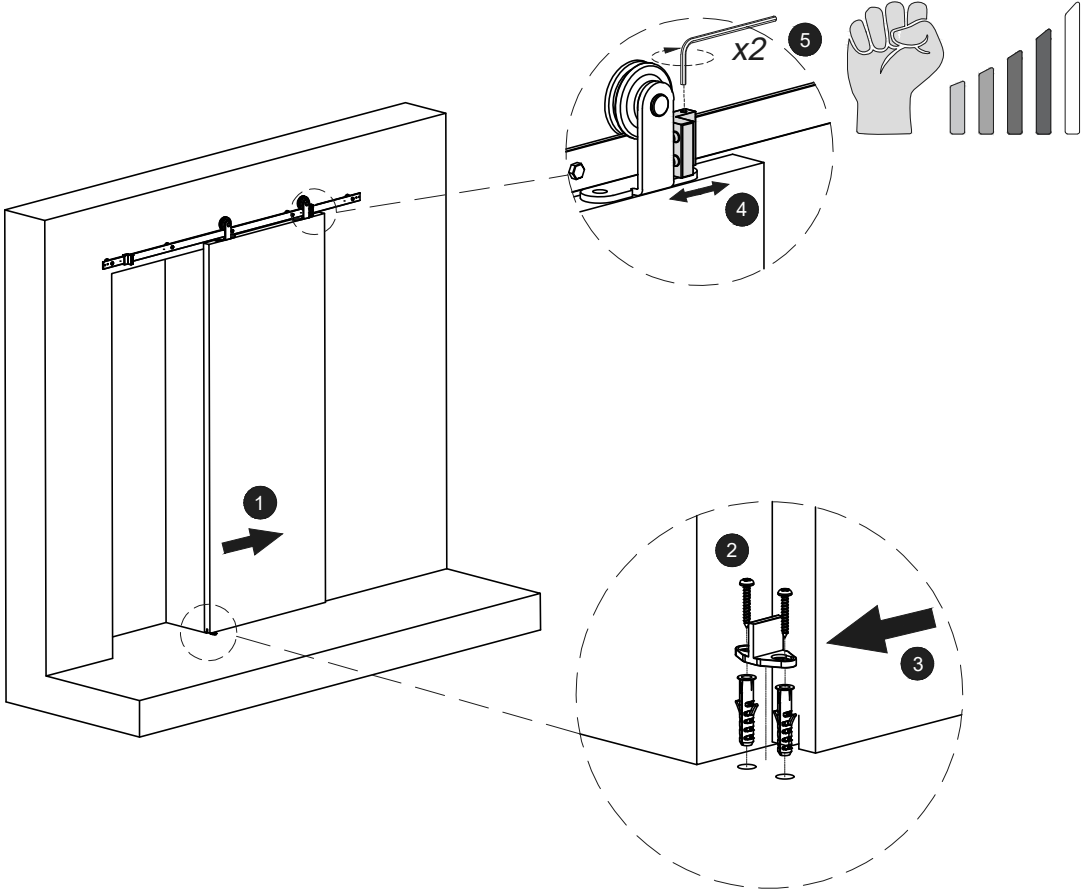
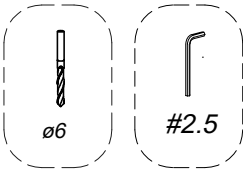
L_0	$L_0 < 900$	$L_0 \geq 900$
A	50	90



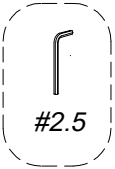
5



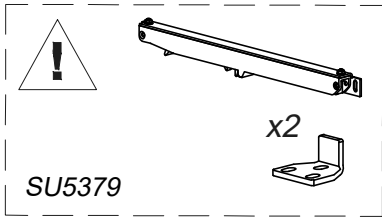
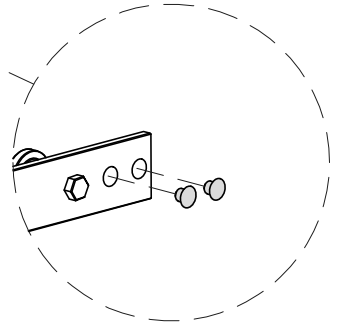
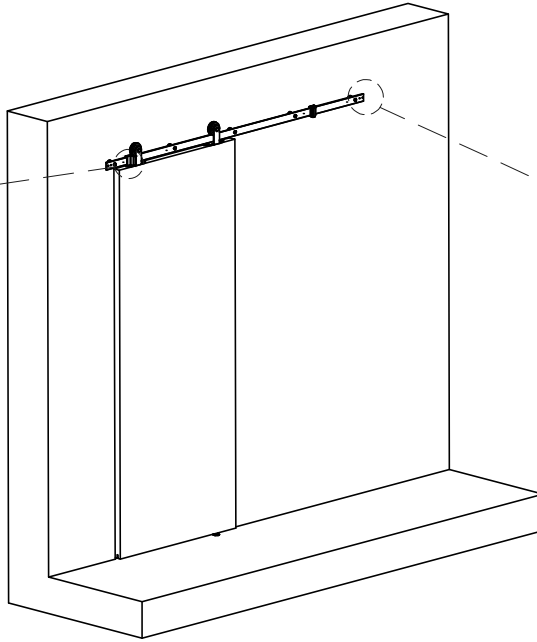
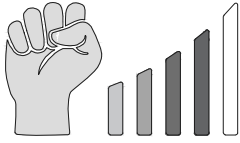
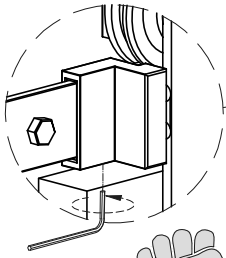
6



7

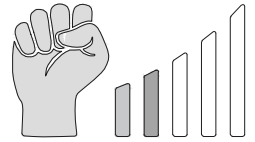


#2.5



x2

SU5379



8

