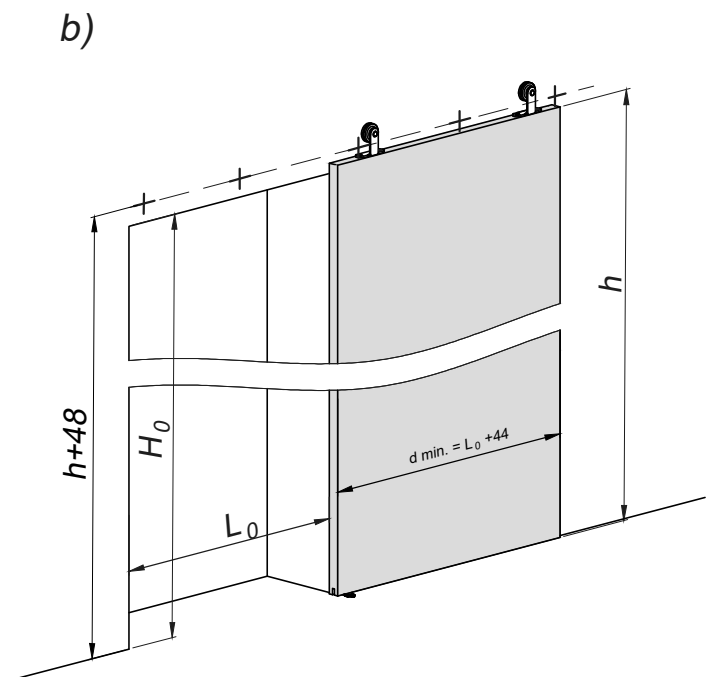
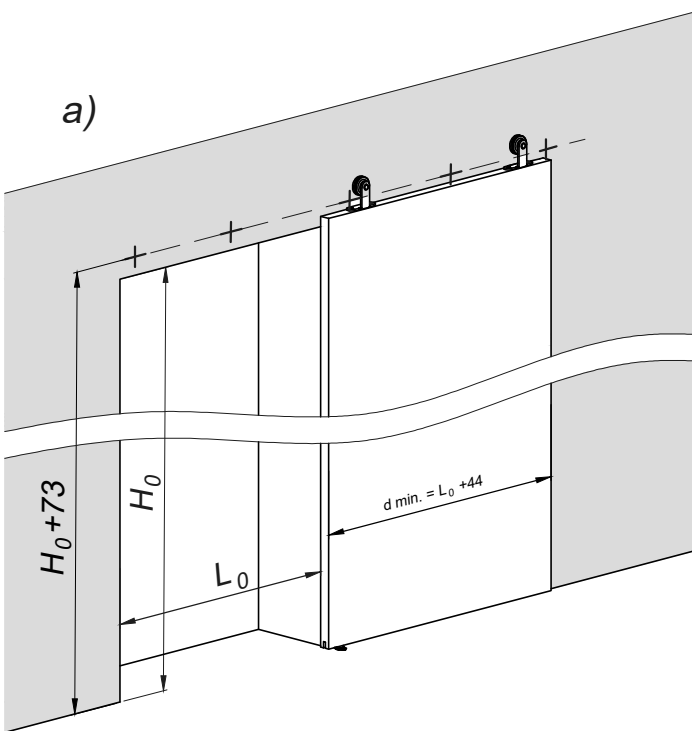
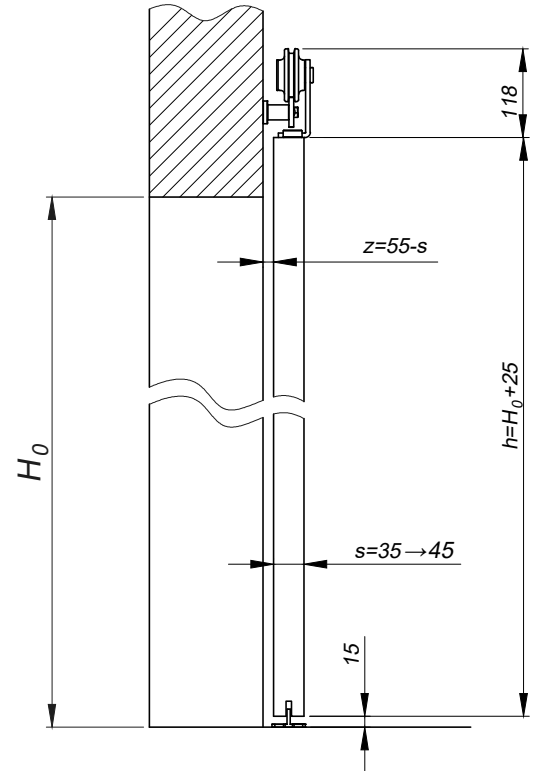
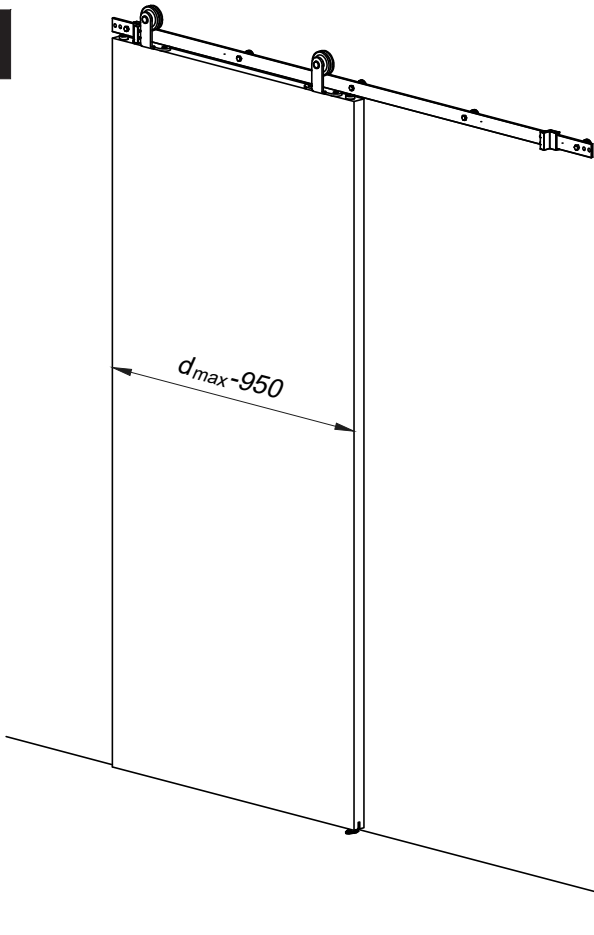
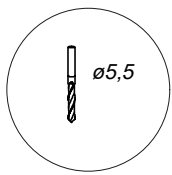


1



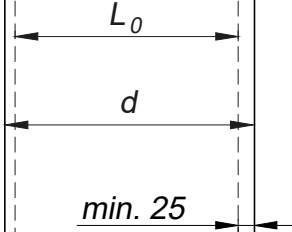
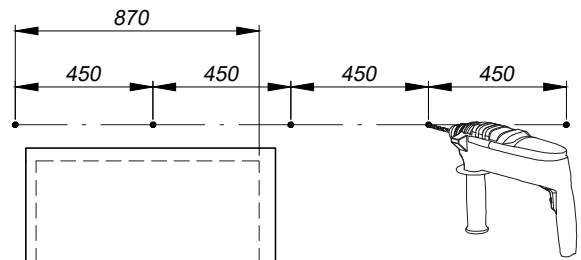
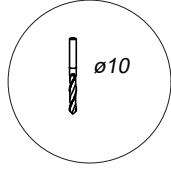


St 8x90
(x5)

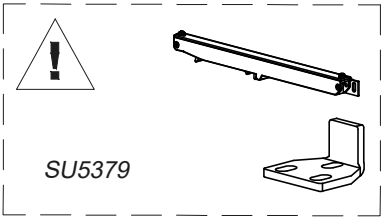
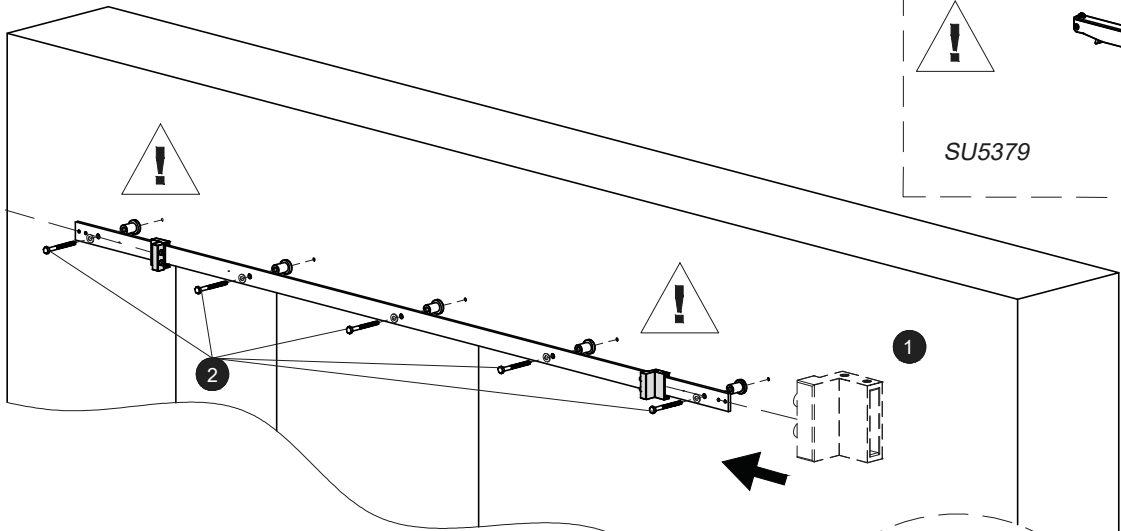
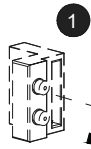


M8x60 (x5)

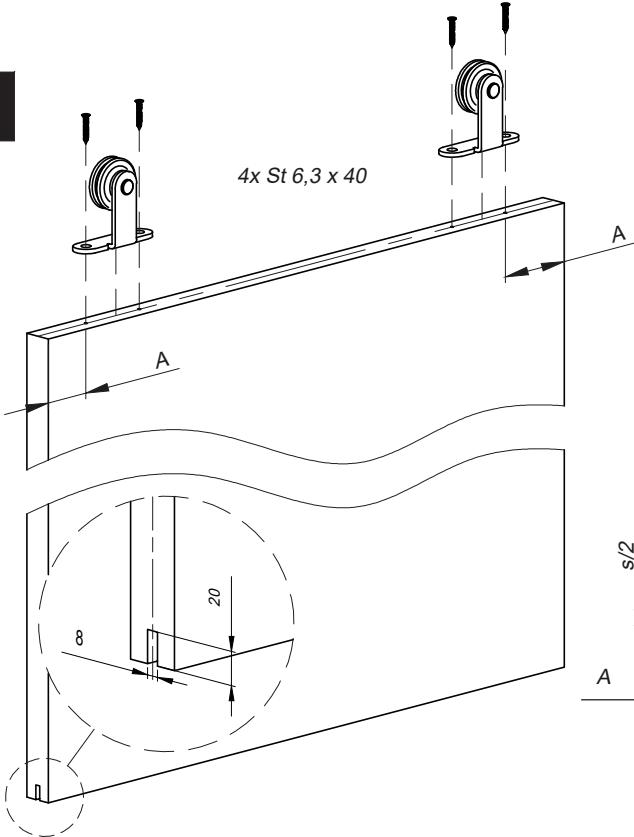
Ø10x30 (x5)



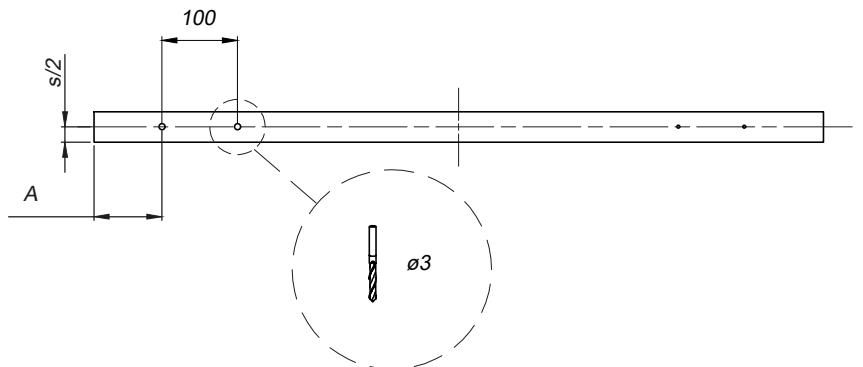
2



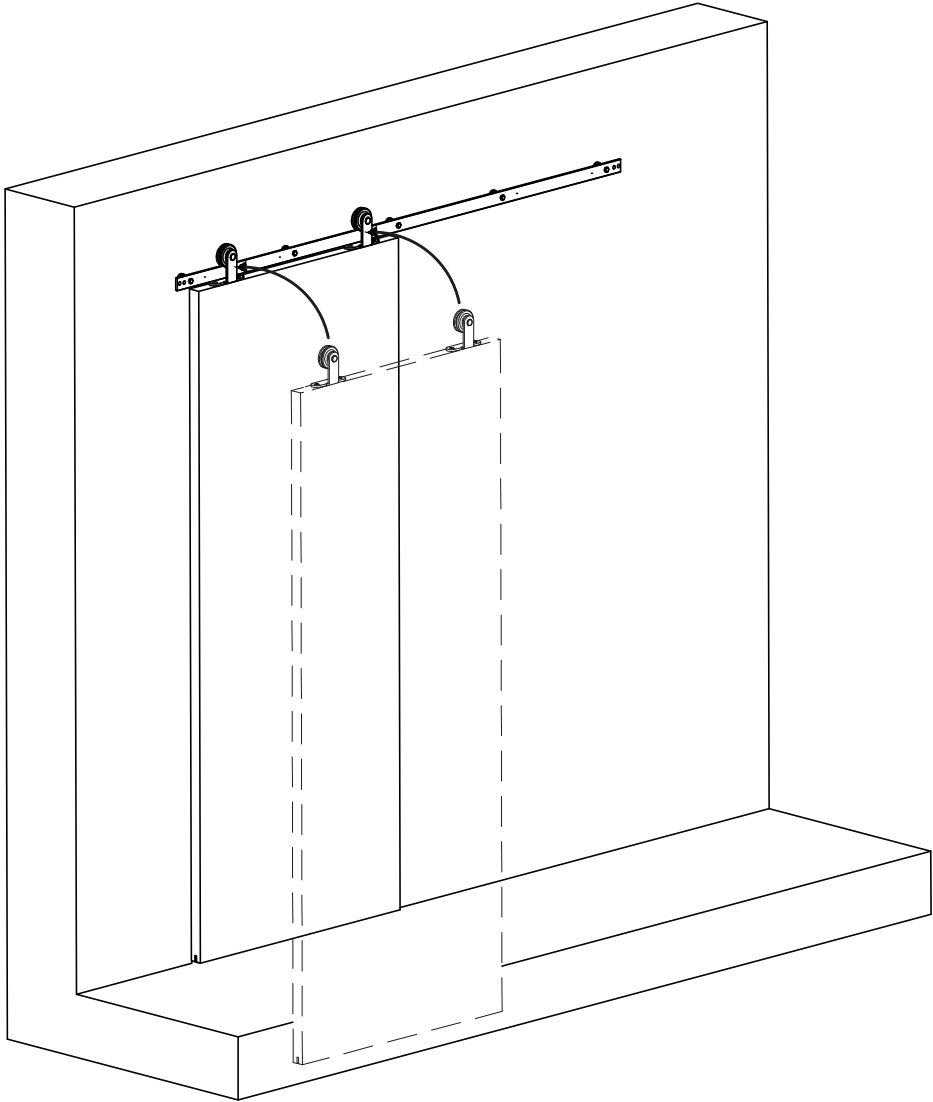
3



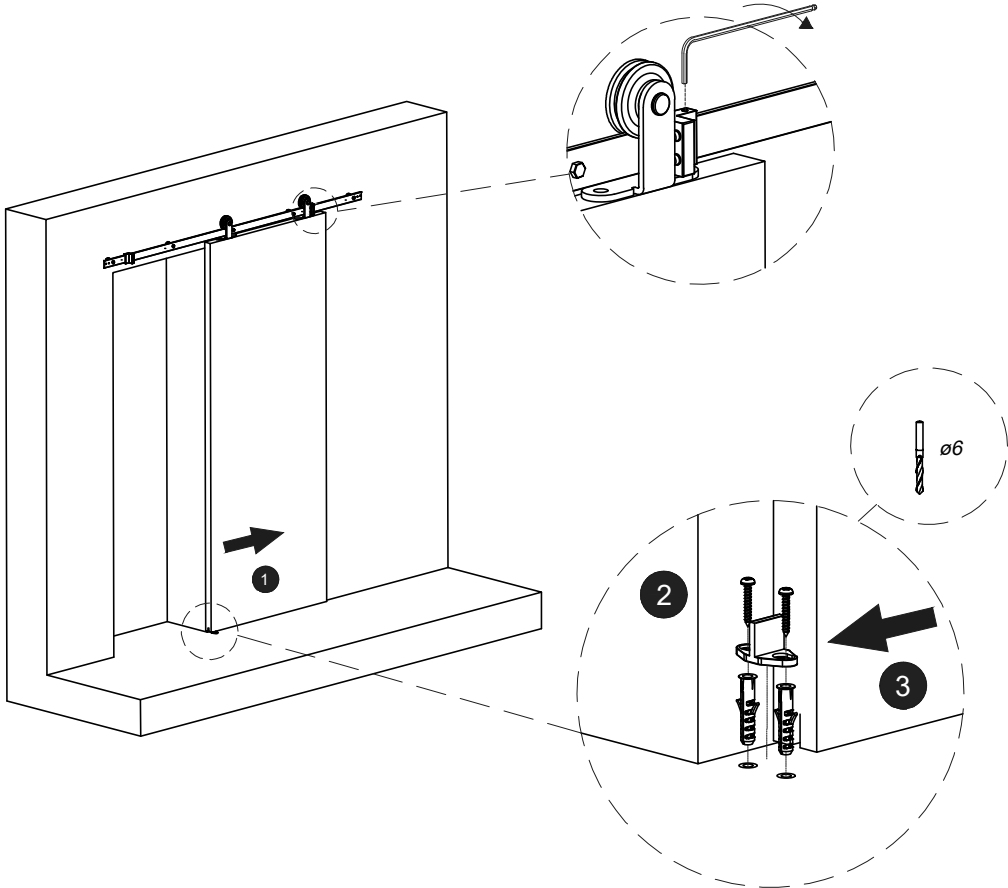
L_0	$L_0 < 900$	$L_0 \geq 900$
A	40	90



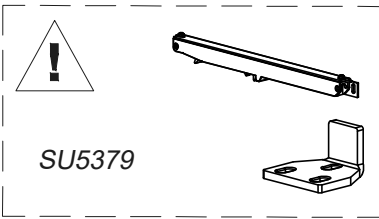
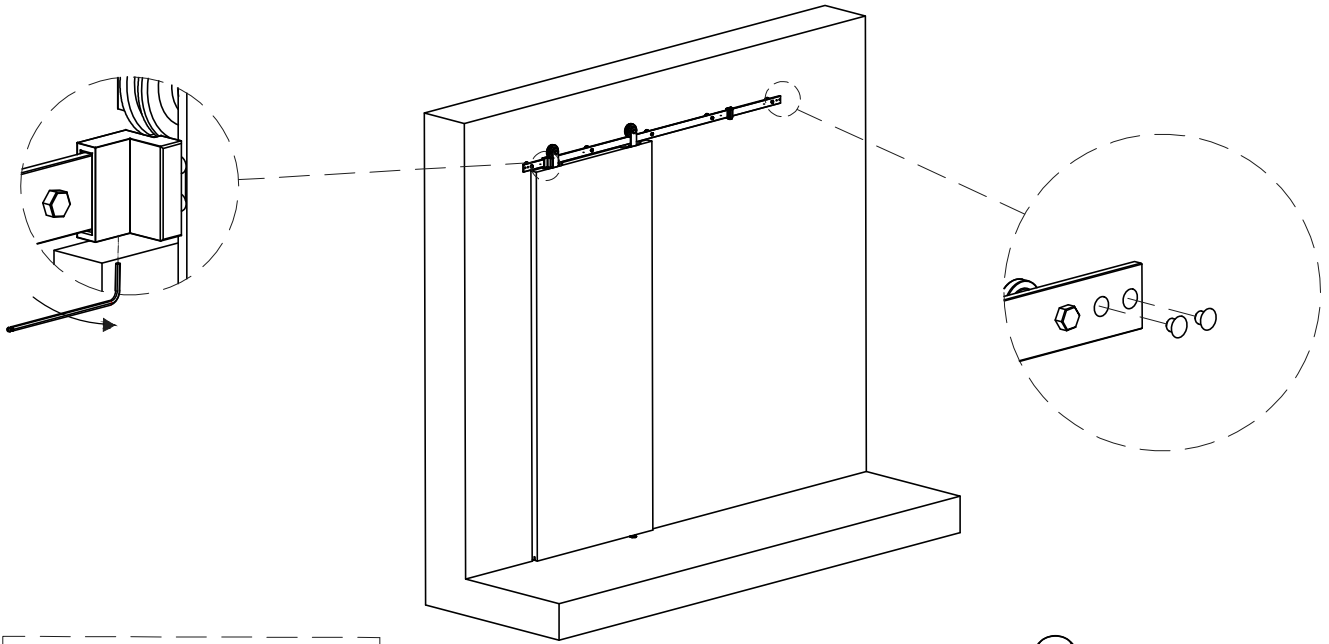
4



5



6



7

