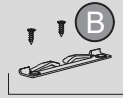


x2



x2



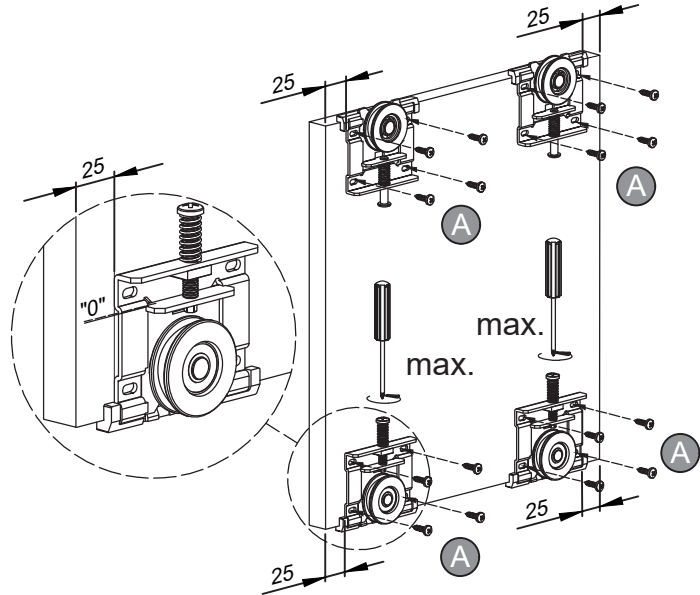
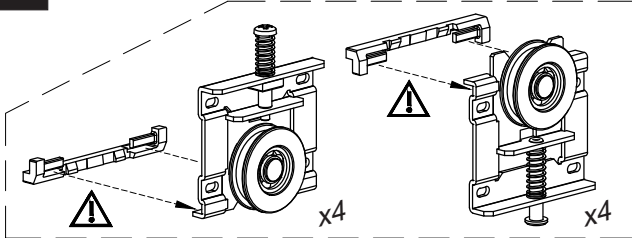
x1



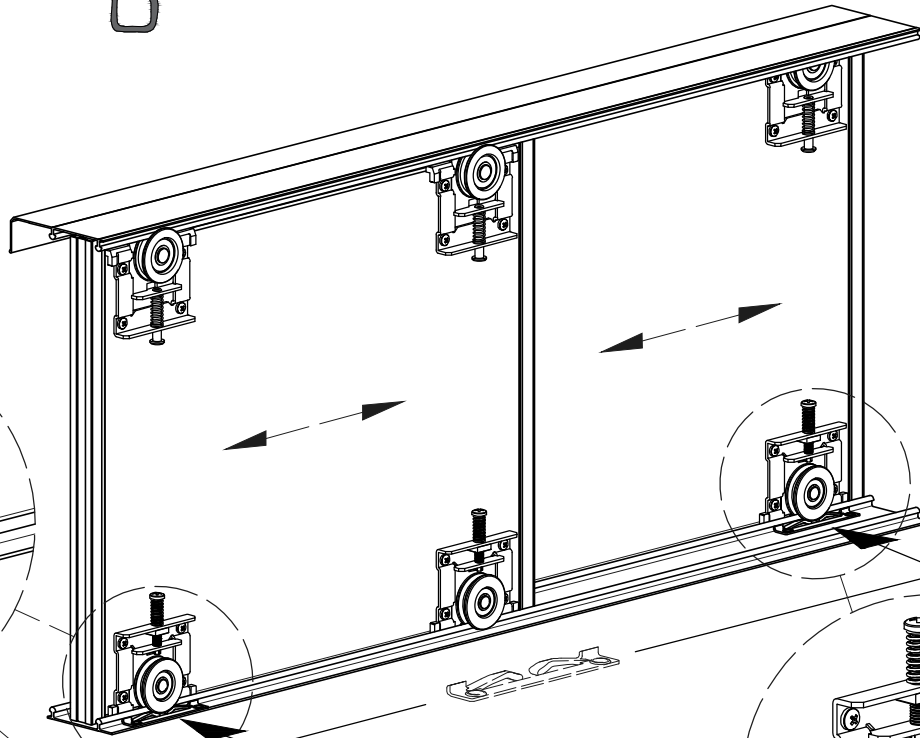
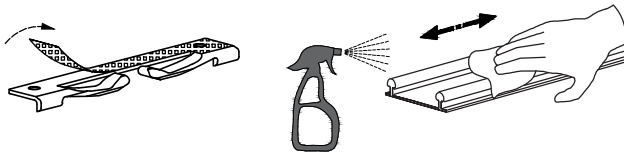
x16

70 kg

1



2



3

