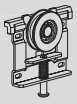
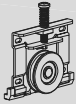


SLID'UP
by MANTION

INSTRUCTION DE MONTAGE
MONTAGEANLEITUNG
INSTRUCTIONS FOR ASSEMBLY
INSTRUCCIONES DE MONTAJE
INSTRUKCJA MONTAŻU

SLID'UP 220
SU5259



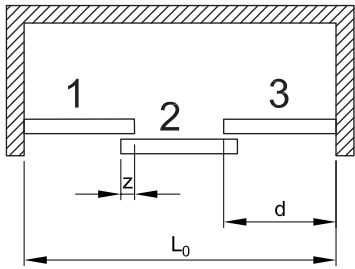
x2

x2

x1

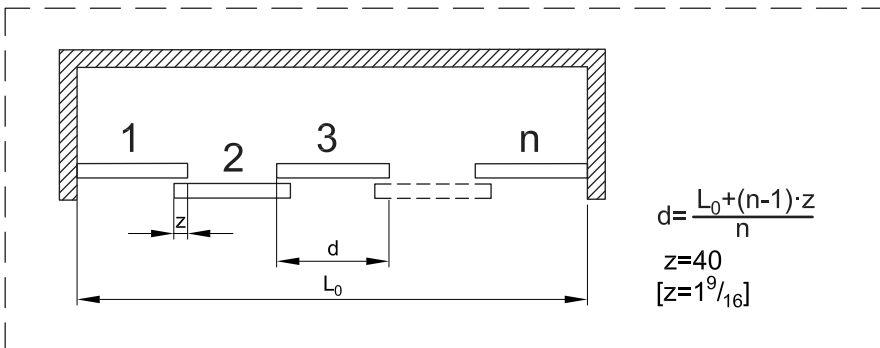
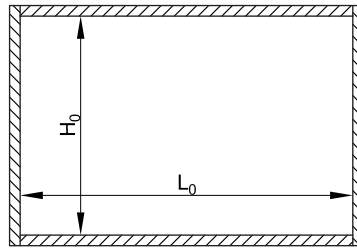
x16

70KG
155lb



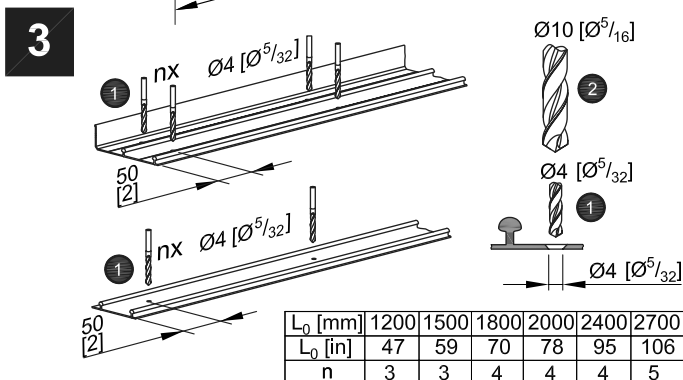
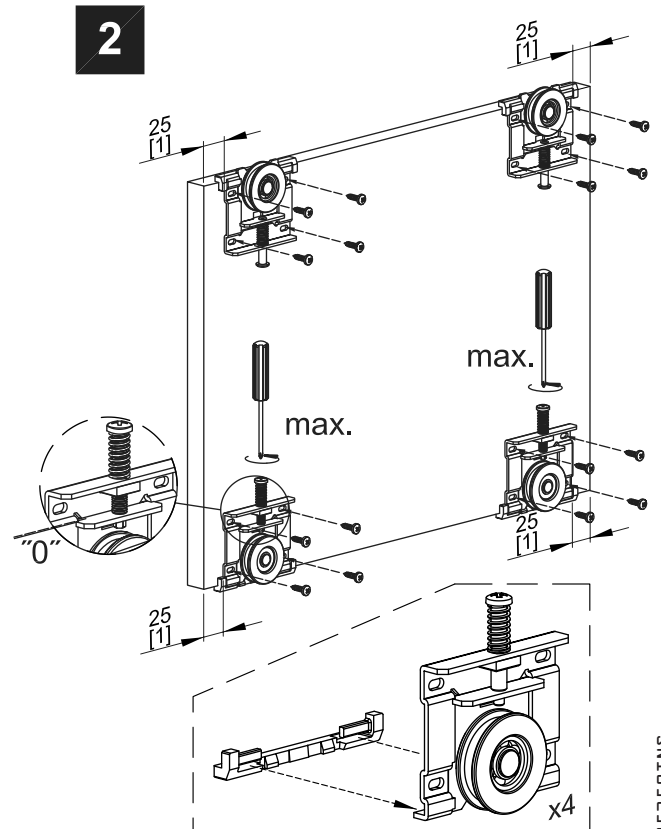
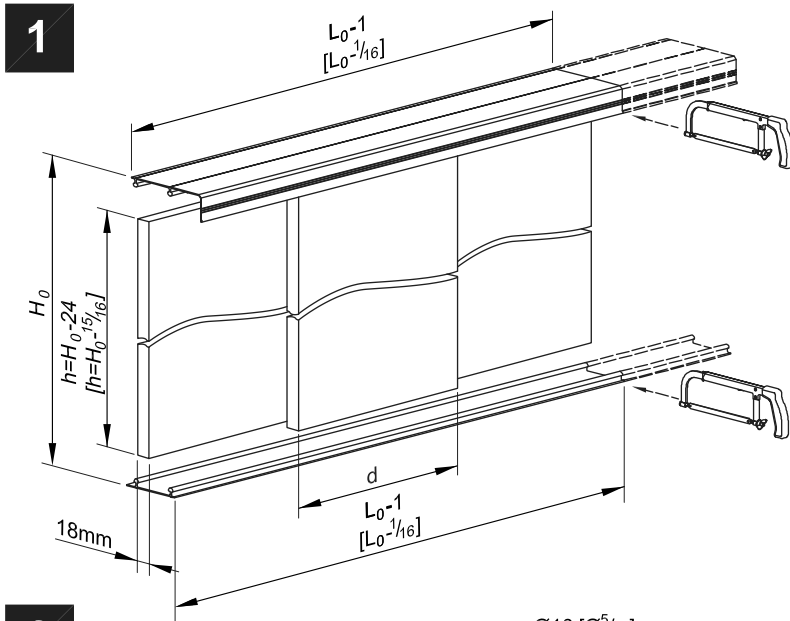
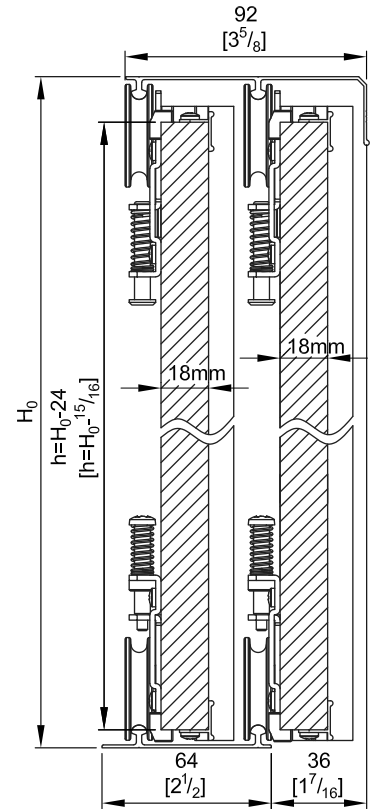
$$d = \frac{L_0 + 2z}{3}$$

$z = 40$
 $[z = 1\frac{9}{16}]$



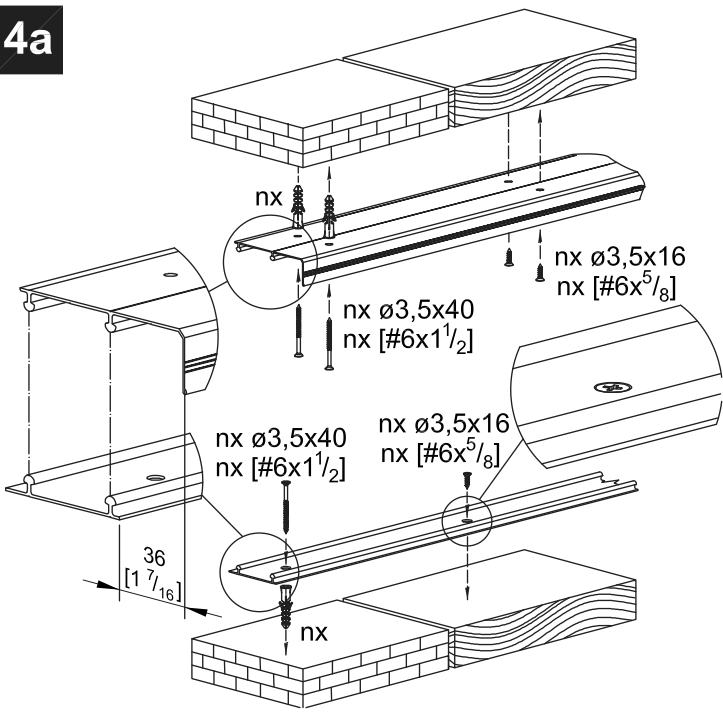
$$d = \frac{L_0 + (n-1) \cdot z}{n}$$

$z = 40$
 $[z = 1\frac{9}{16}]$

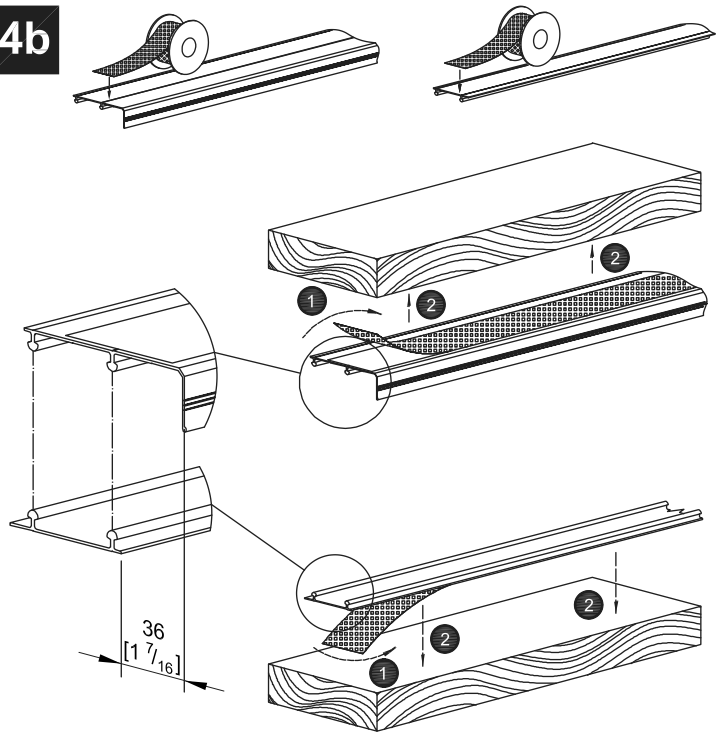


SNI65259SZZ

4a

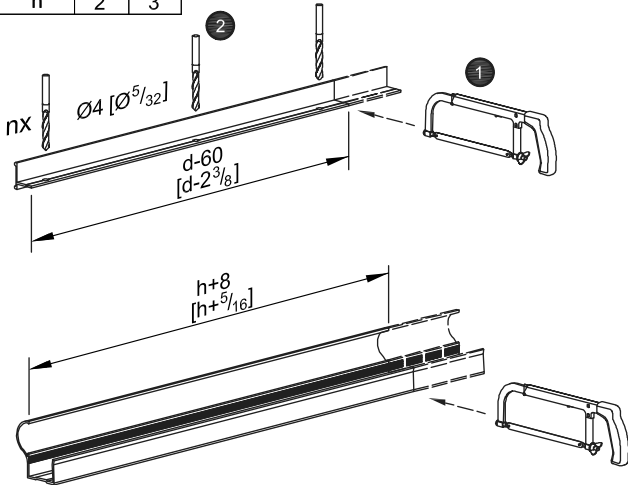


4b

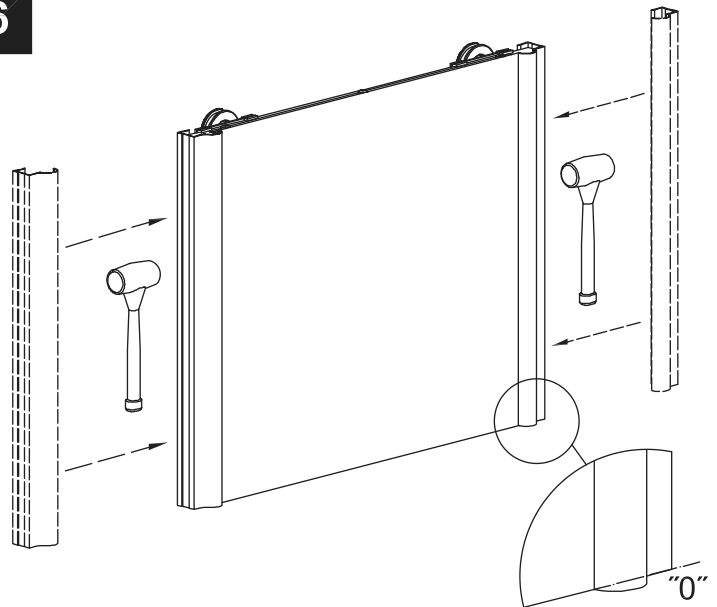


5

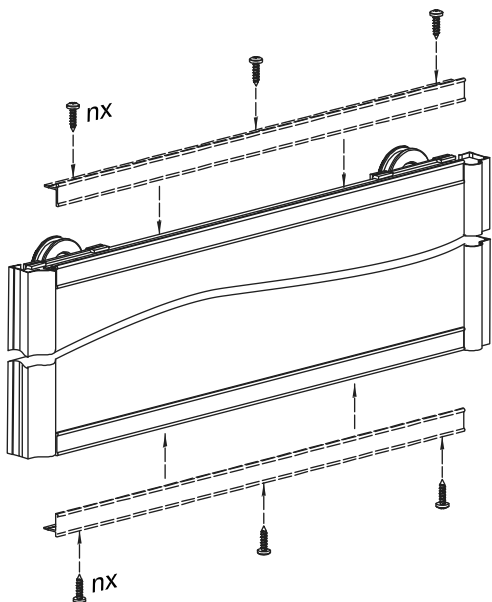
d [mm]	<500	≥500
d [in]	<20	≥20
n	2	3



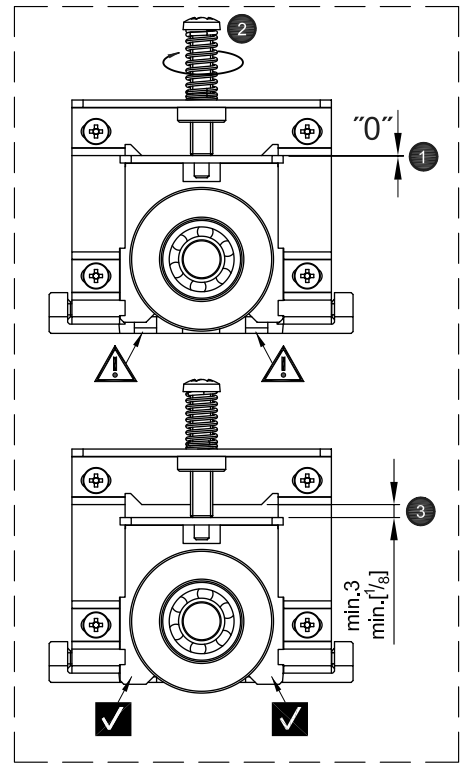
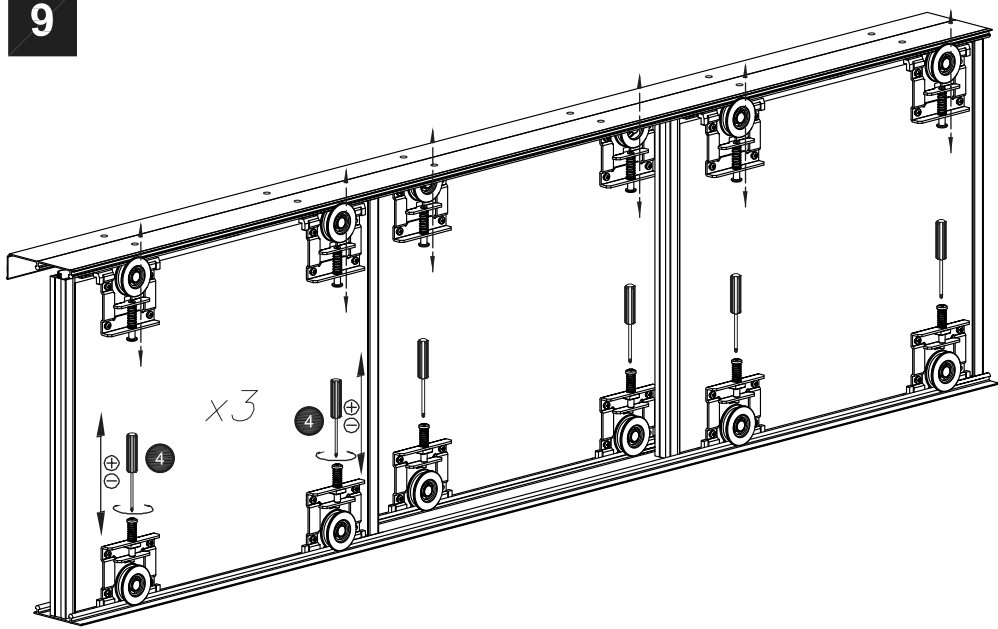
6



7



9



10

