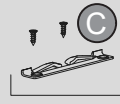




x4



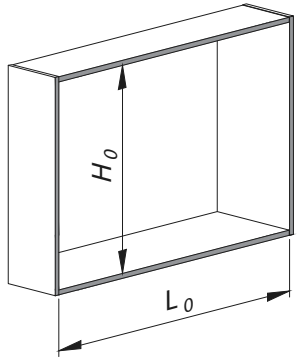
x4



x2



x28

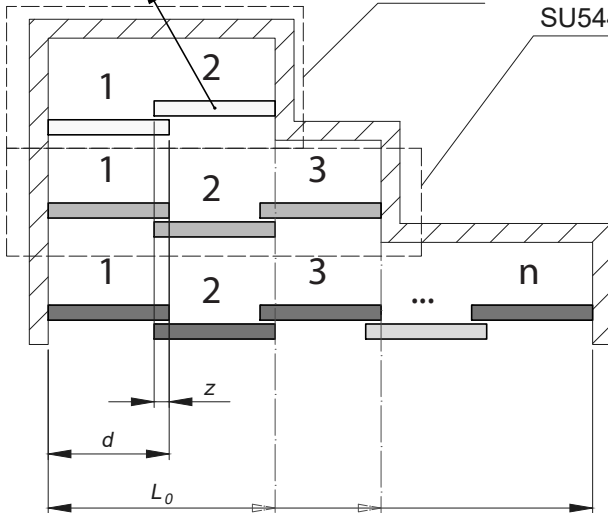


$$d = \frac{L_0 + z}{2}$$

$$z = 40$$

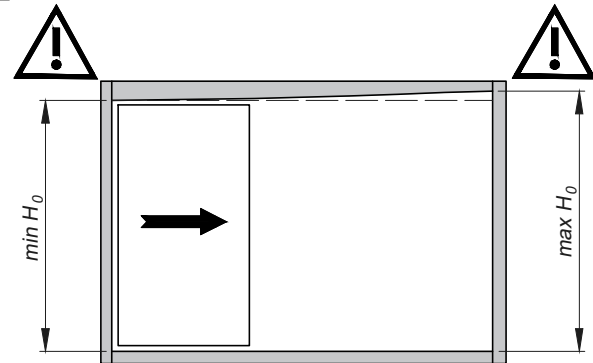
SU5114
 SU5115
 SU5116

SU5117
 SU5118
 SU5119
 SU5444



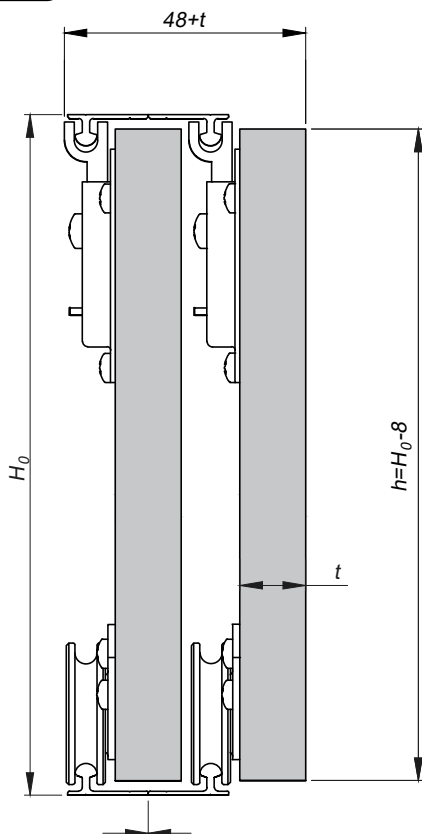
$$d = \frac{L_0 + (n-1) \cdot z}{n}$$

$$z = 40$$

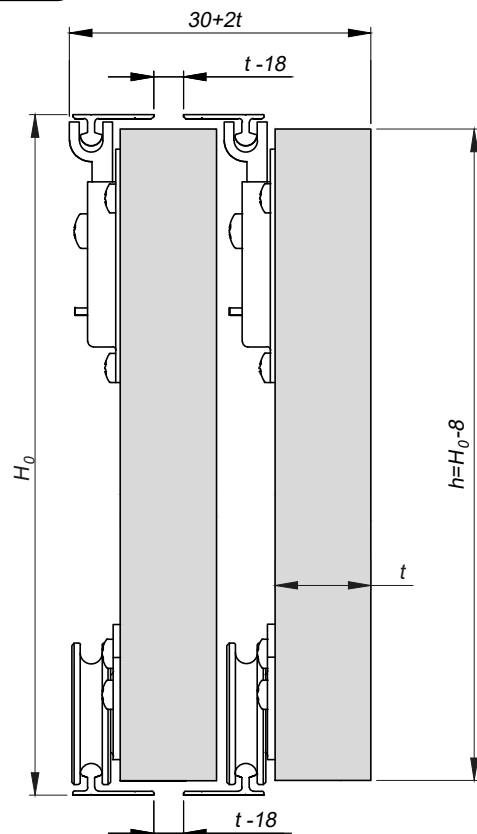


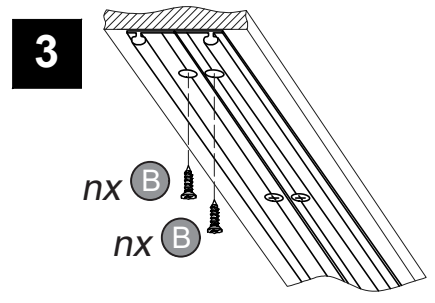
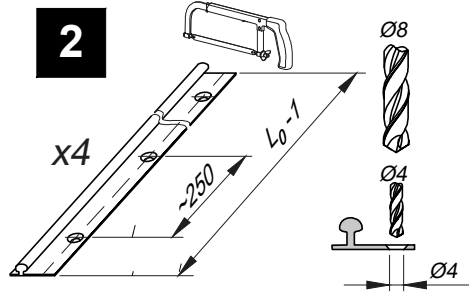
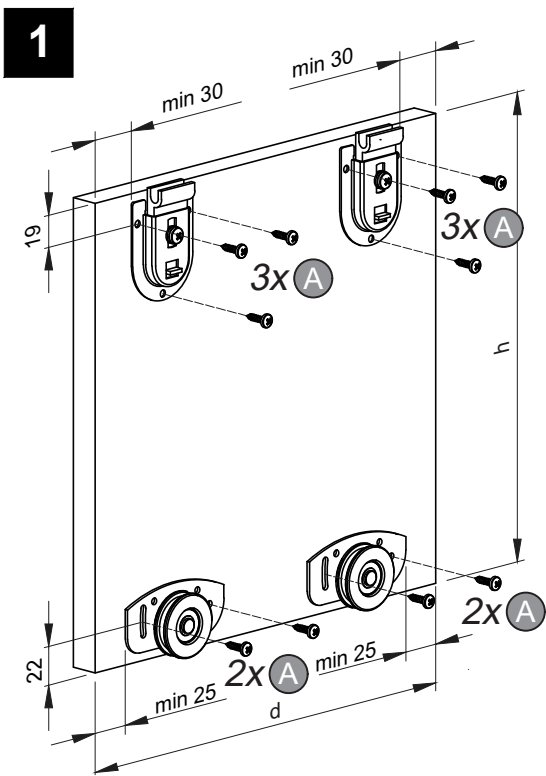
$$\max H_0 - \min H_0 \leq 4$$

$t \leq 18$



$t > 18$





L [mm]	1200	1500	1800	1940	2000	2400	3000
n	5	7	7	8	8	9	11

