



x2



x2



x2



x1

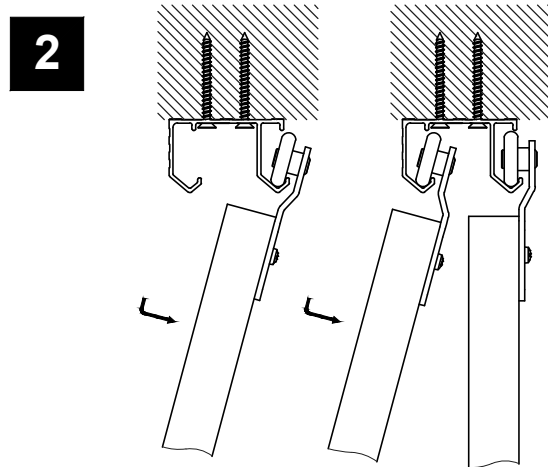
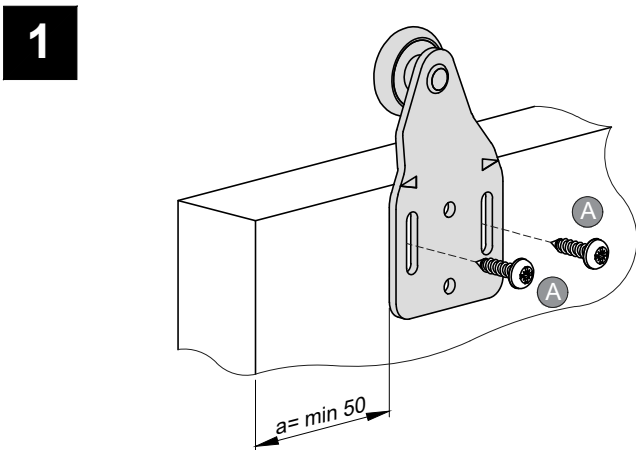
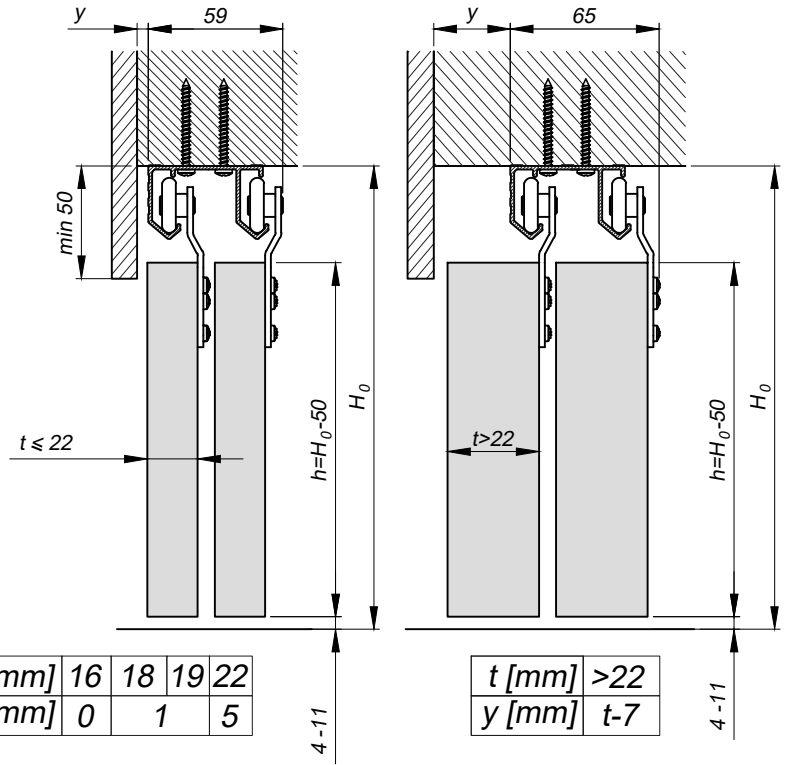
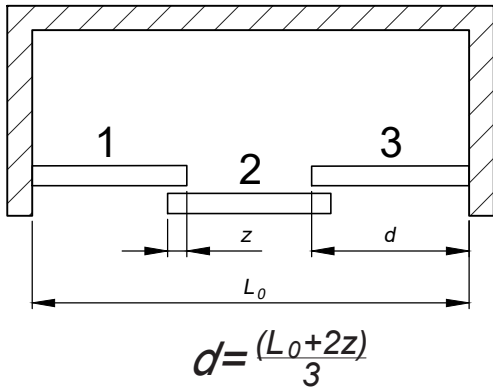


x1

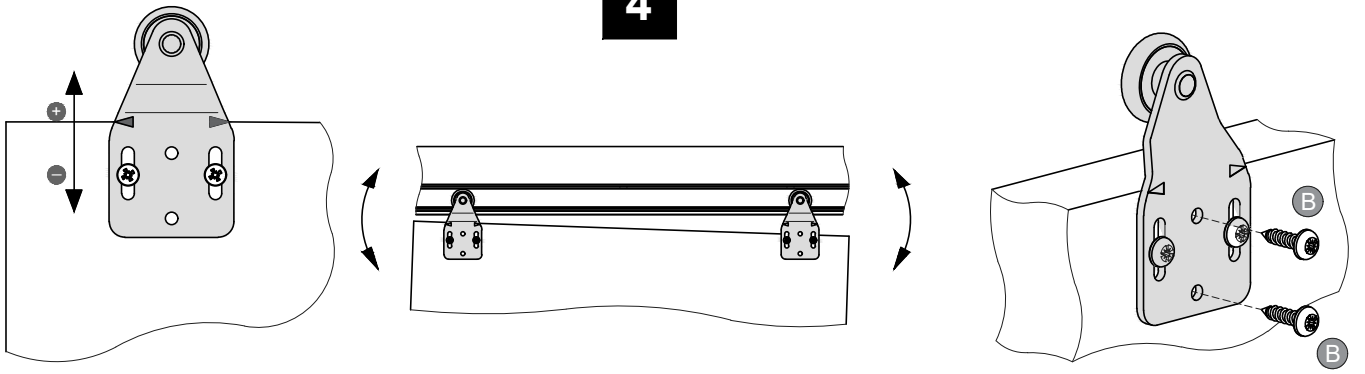


x16

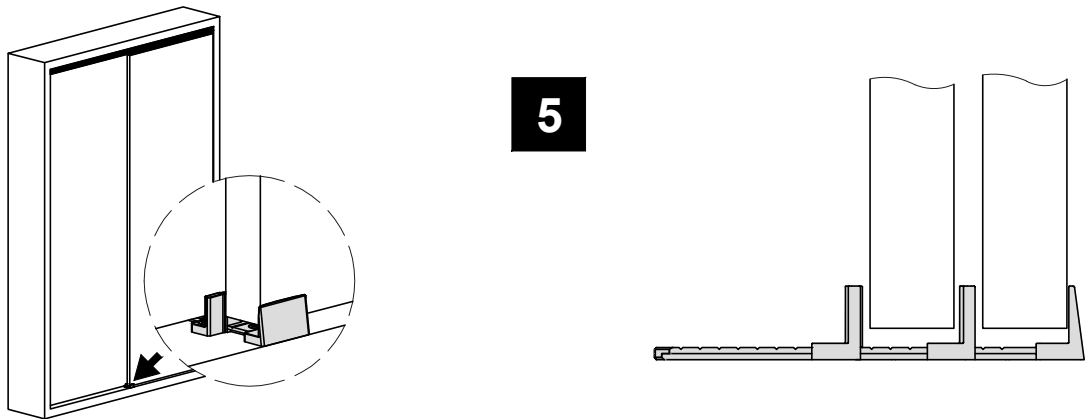
**45 kg**



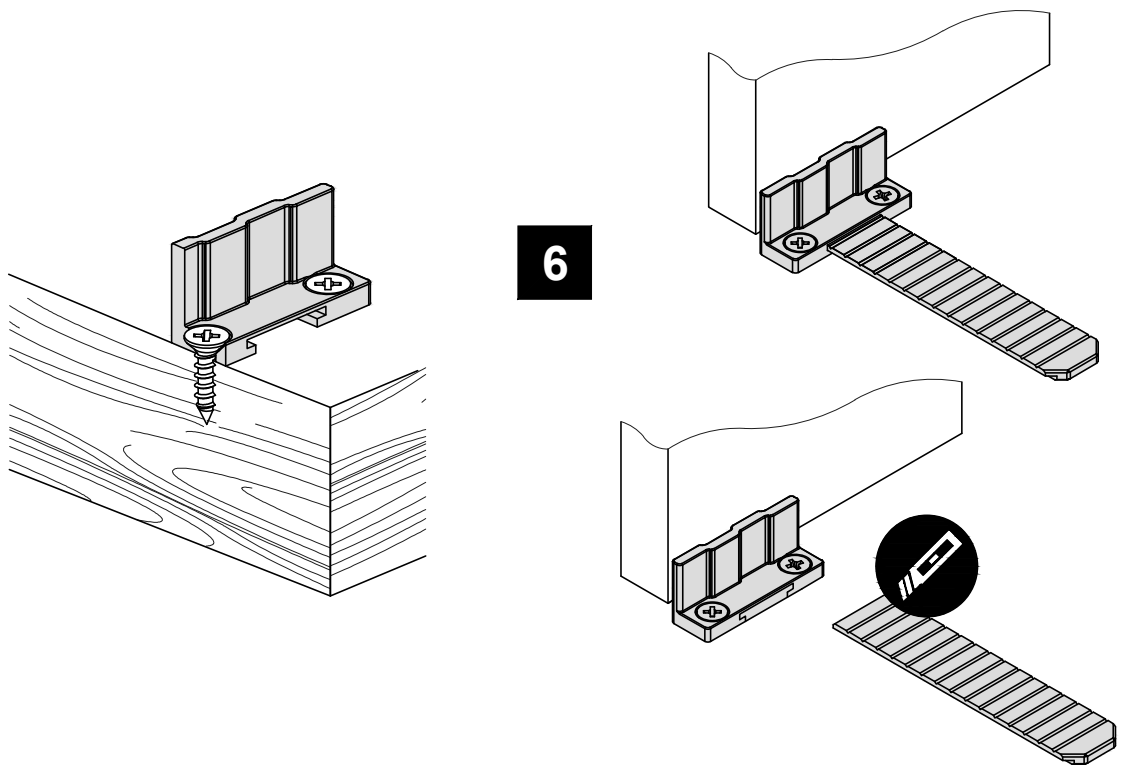
4



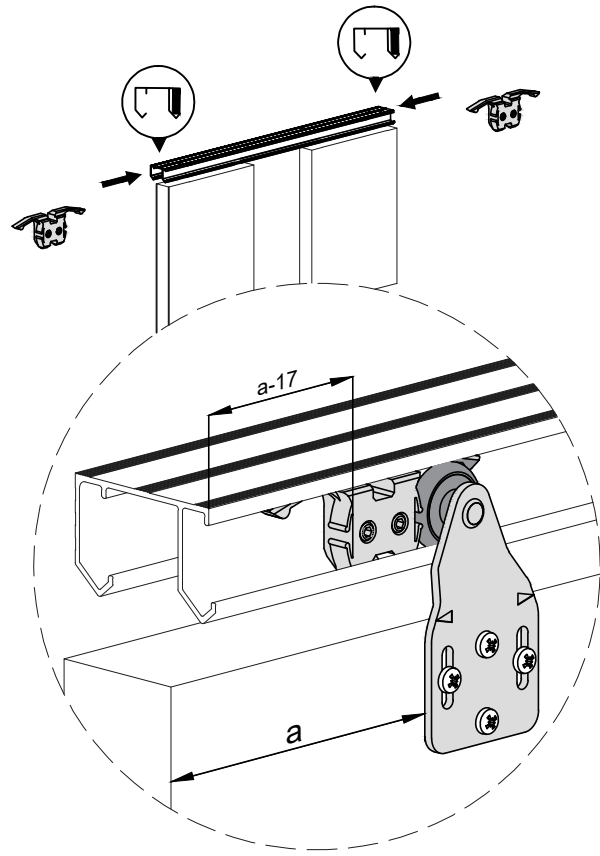
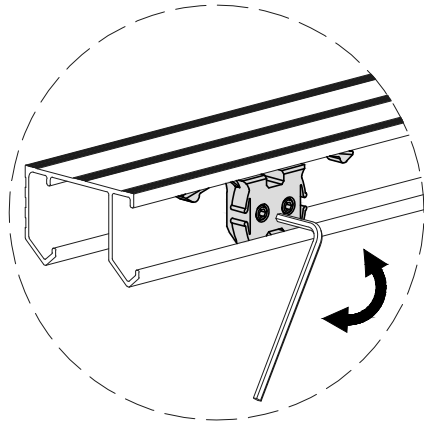
5



6



7



8

