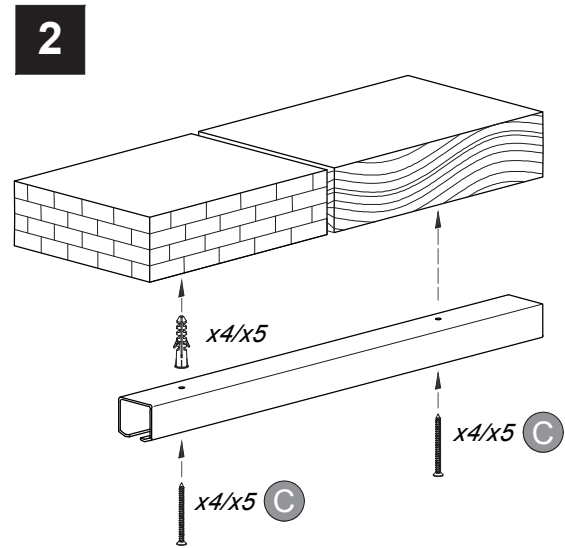
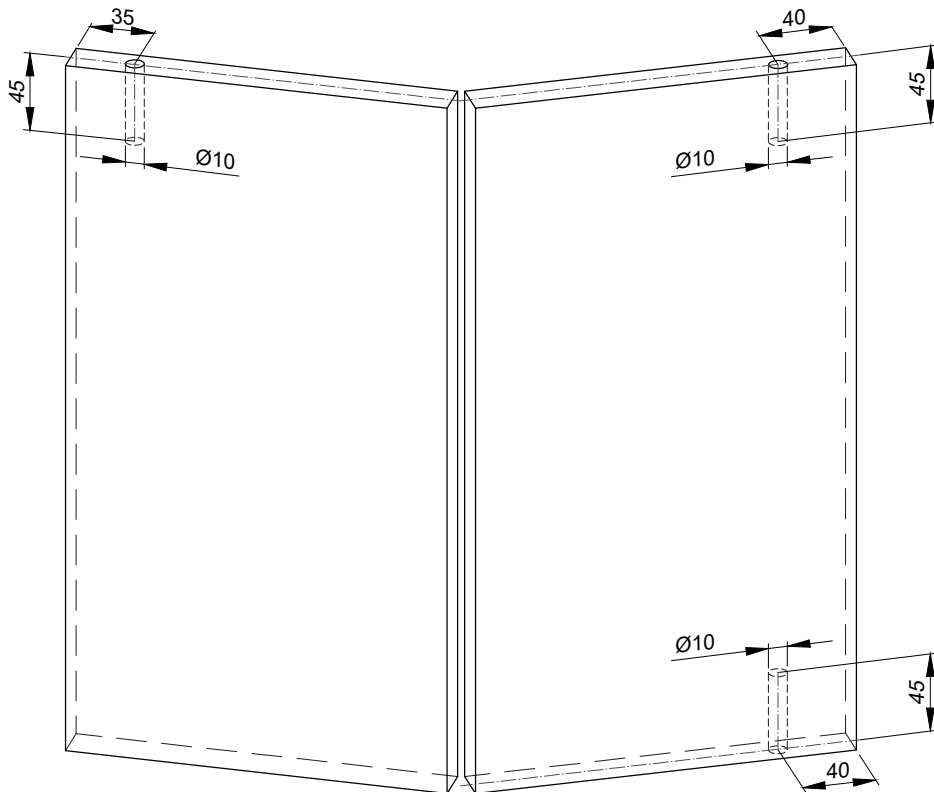
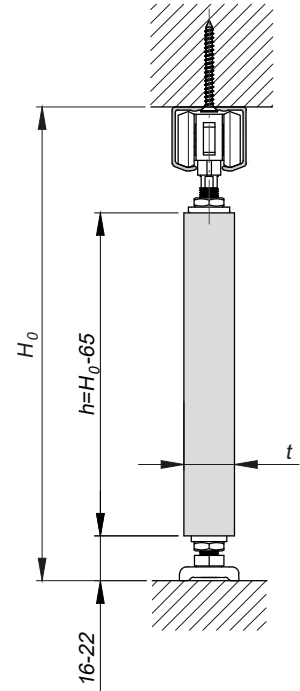
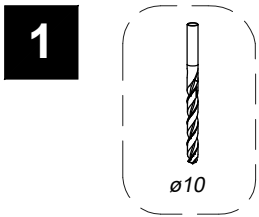


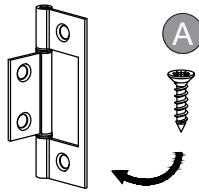
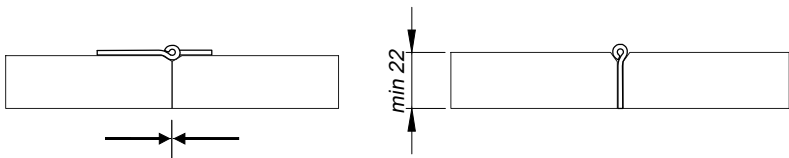
SU5123A - 1200
SU5124A - 1500

t [mm]	<22	22	25	28	32	40
x [mm]	0	3	4	4	6	6

$$d = \frac{L - x - 5}{2}$$



3



4

