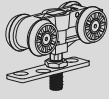
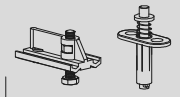


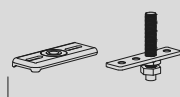
x1



x2



x2



x2



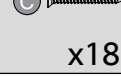
x6



x34

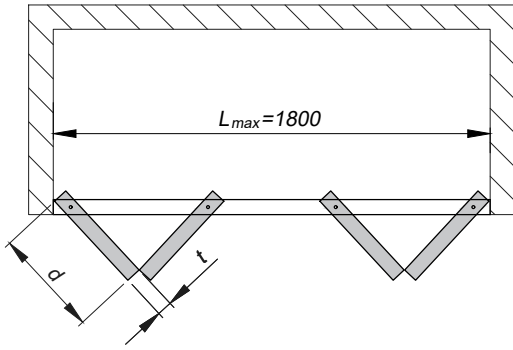


x4



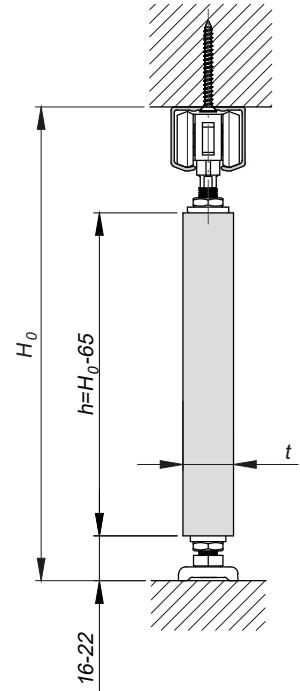
x18

25
kg

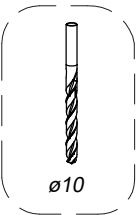


t [mm]	<22	22	25	28	32	40
x [mm]	0	3	4	4	6	6

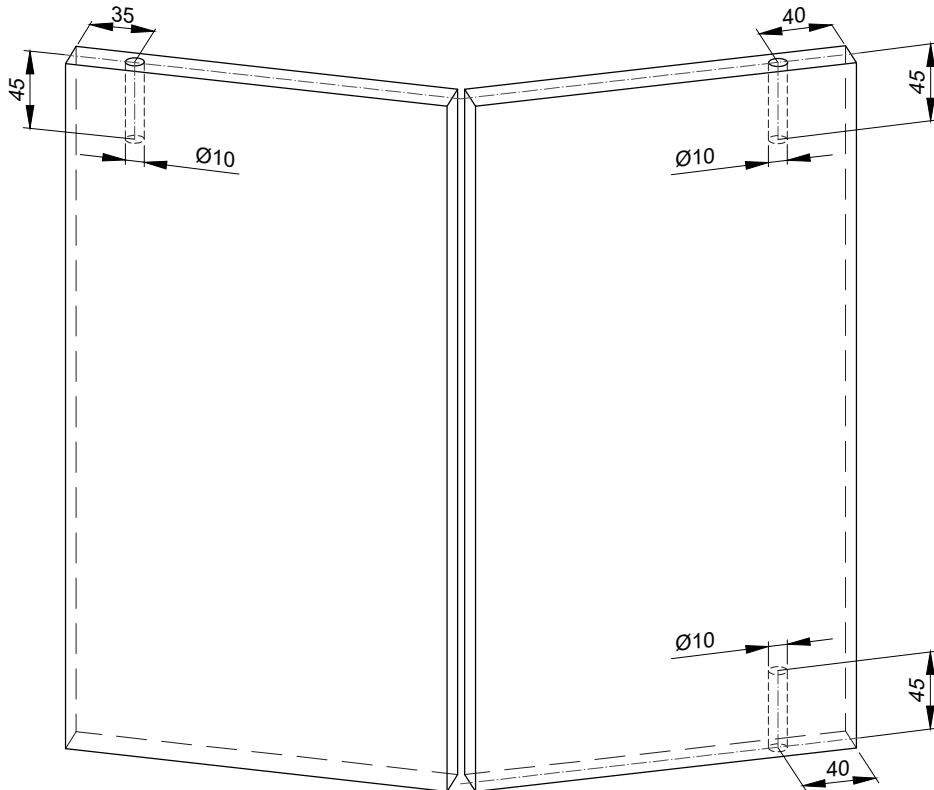
$$d = \frac{L - 2x - 8}{4}$$



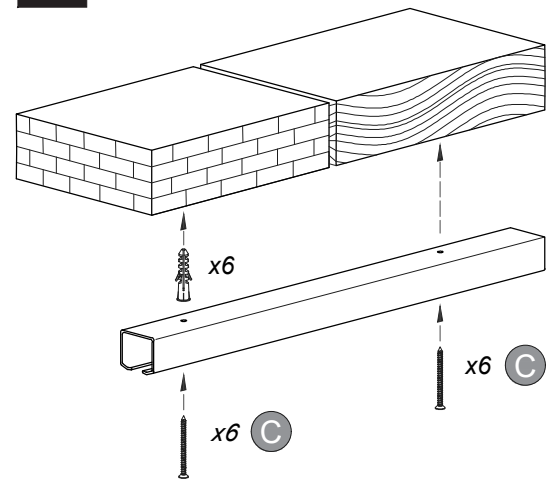
1



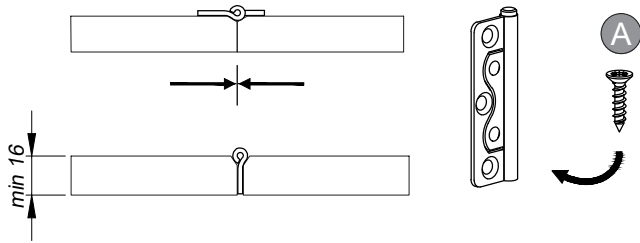
Ø10



2



3



4

