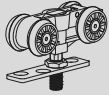
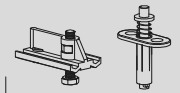


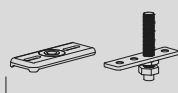
x1



x1



x1



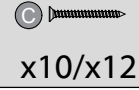
x1



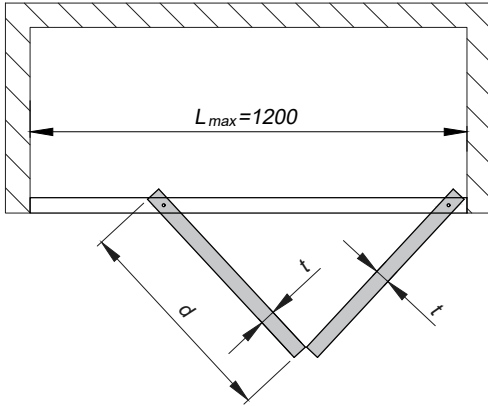
x3

A  x17

B  x2

C  x10/x12

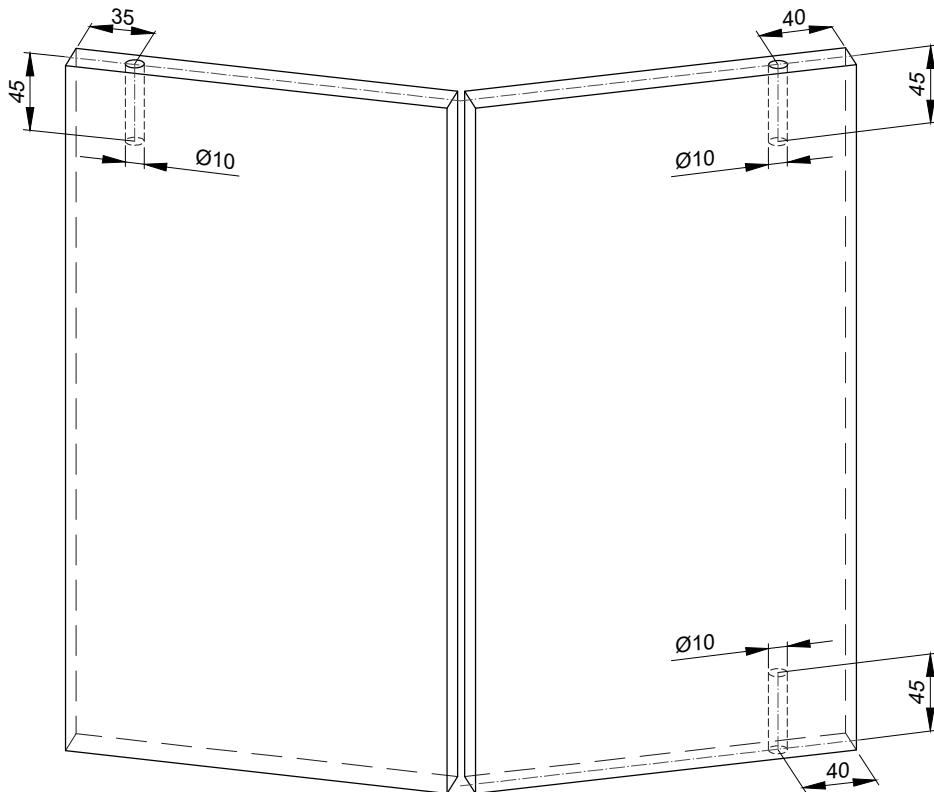
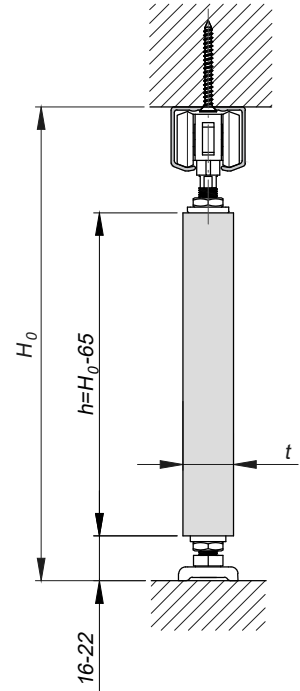
25
kg



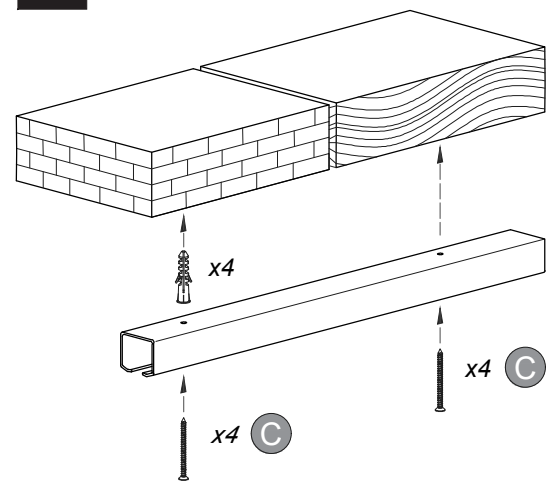
t [mm]	<22	22	25	28	32	40
x [mm]	0	3	4	4	6	6

$$d = \frac{(L-x-5)}{2}$$

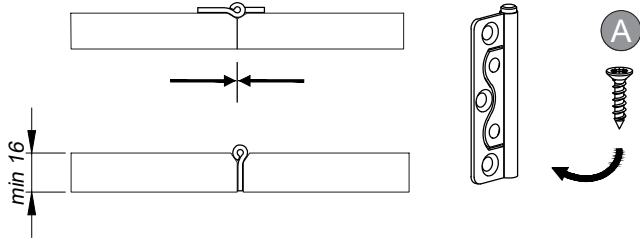
1



2



3



4

