



x4



x4/x6



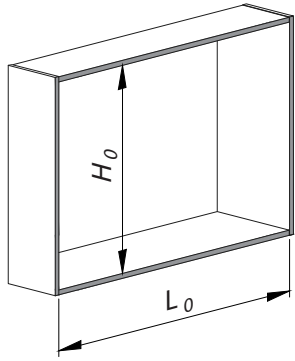
x4/x6



x2/x3



x1

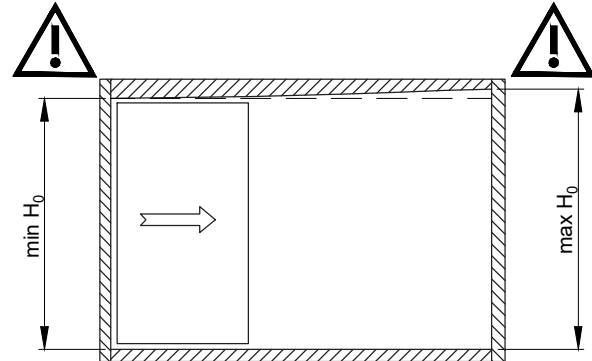
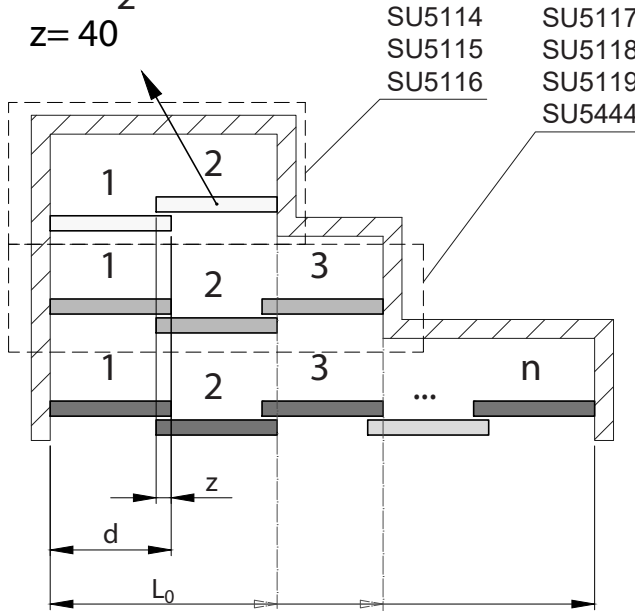


$$d = \frac{L_0 + (n-1) \cdot z}{n}$$

z = 40

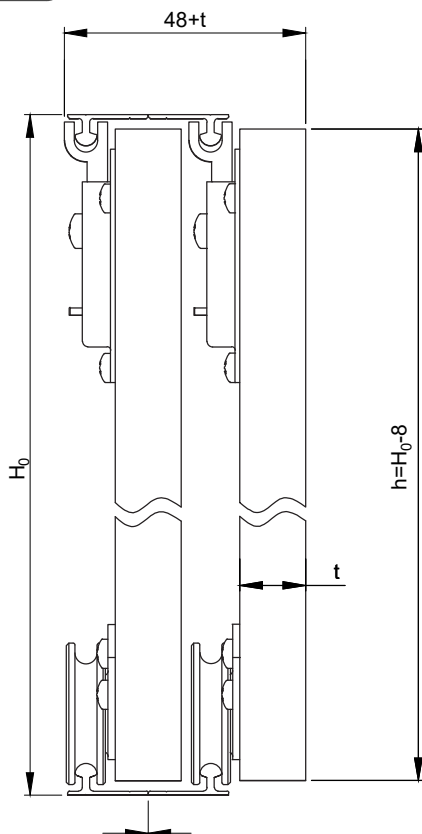
$$d = \frac{L_0 + z}{2}$$

z = 40



$$\max H_0 - \min H_0 \leq 4$$

t ≤ 18



t > 18

