

x1



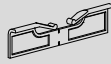
x2



x2



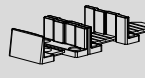
x2



x1



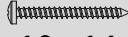

x2



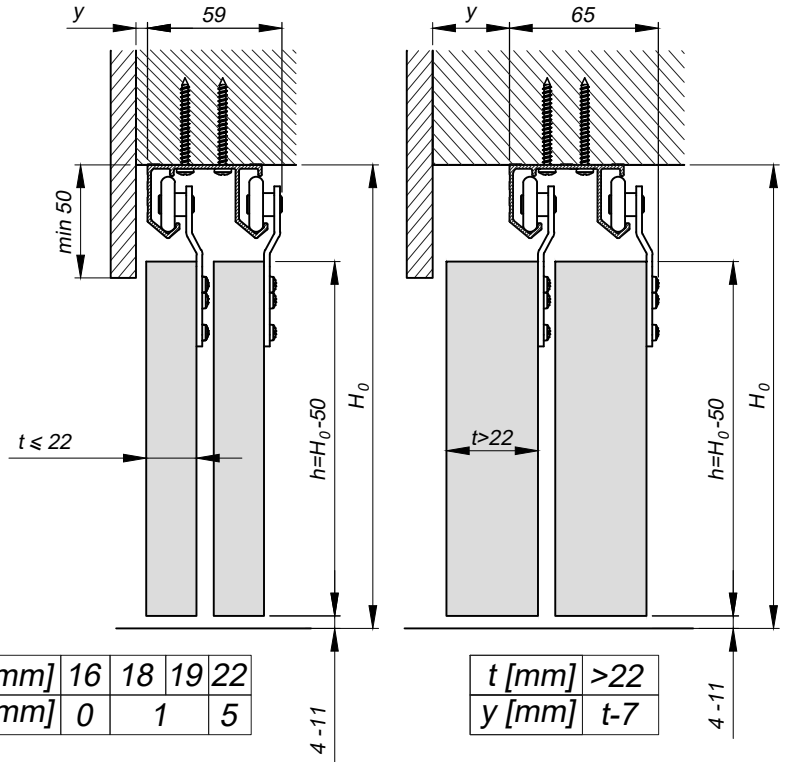
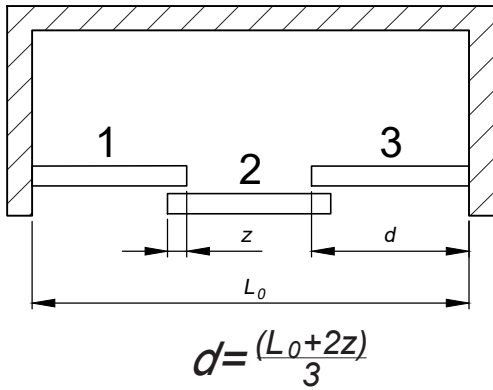
x2



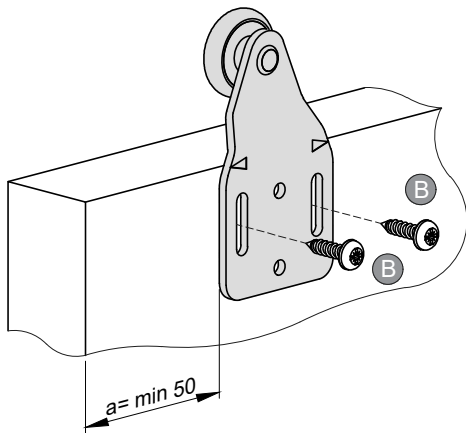
x1

A  x10-x14  
 B  x24

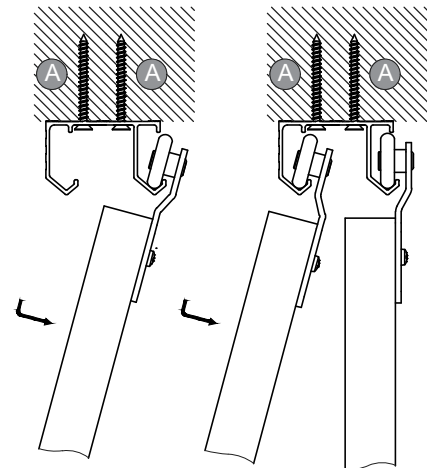
**45 kg**



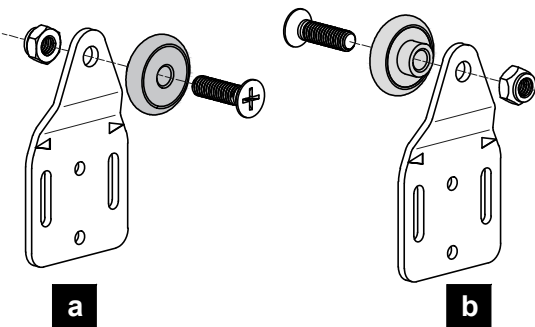
**1**



**2**



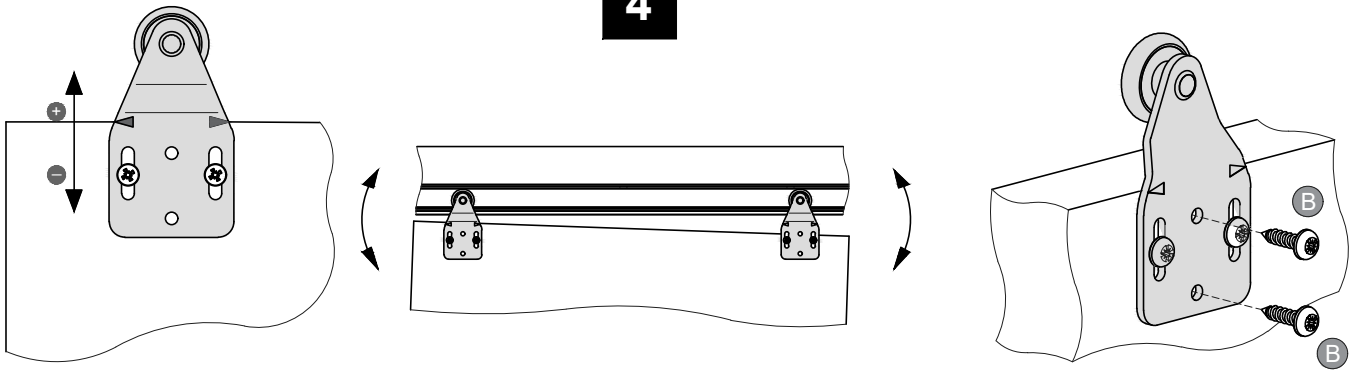
**3**



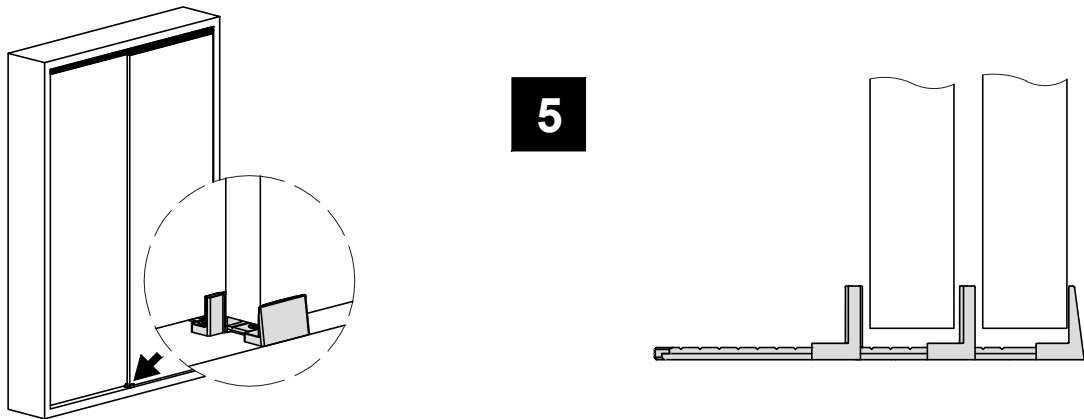
**a**

**b**

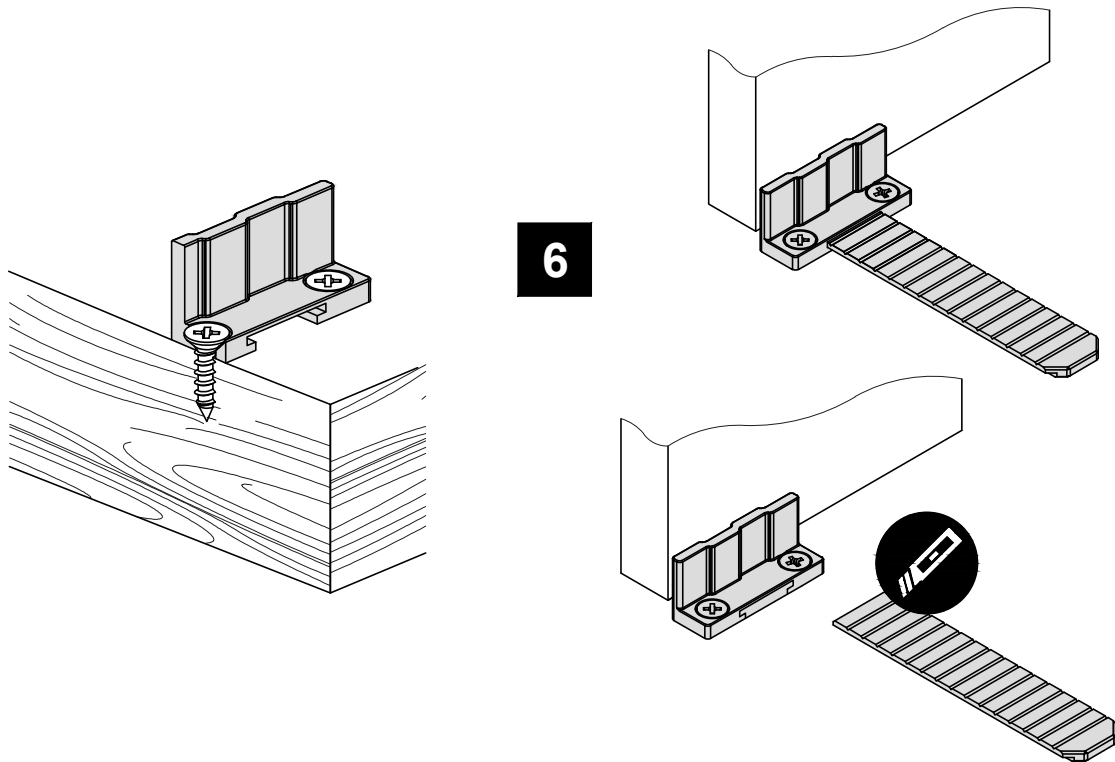
4



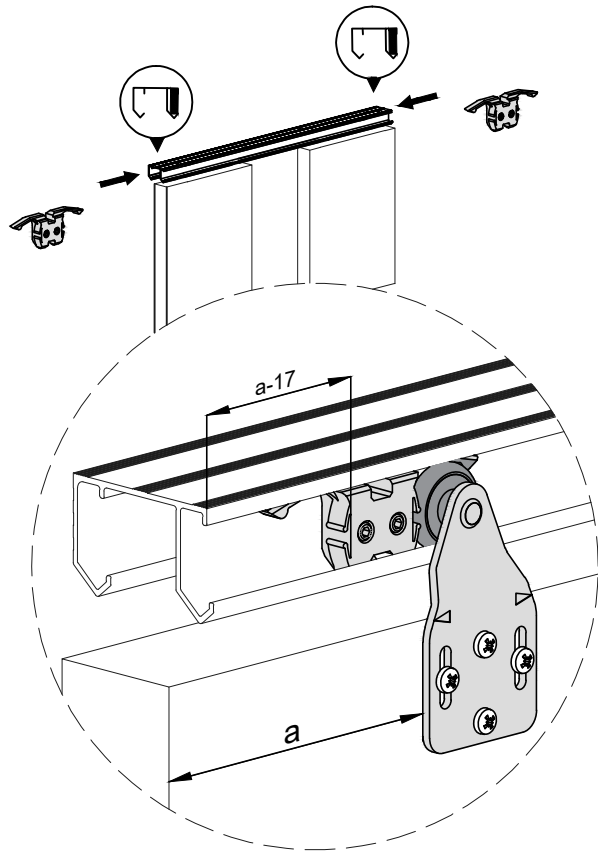
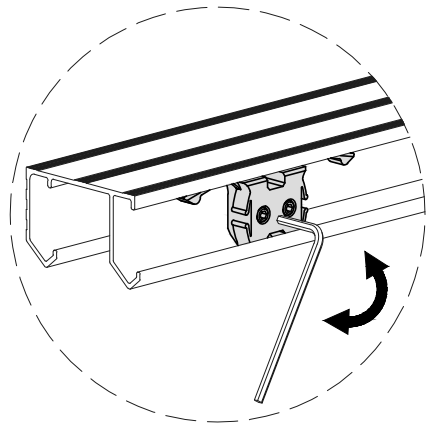
5



6



7



8

