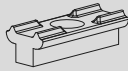




x2



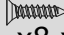
x4

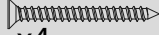


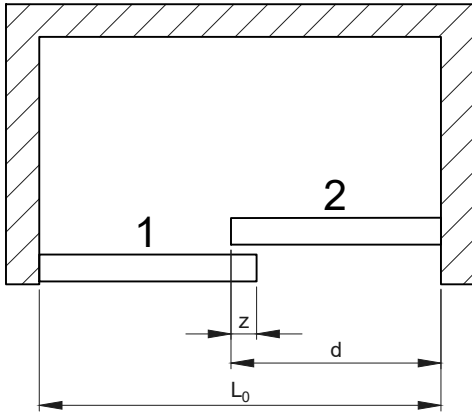
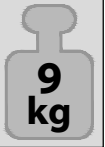
x1



x1

A  x8-x16

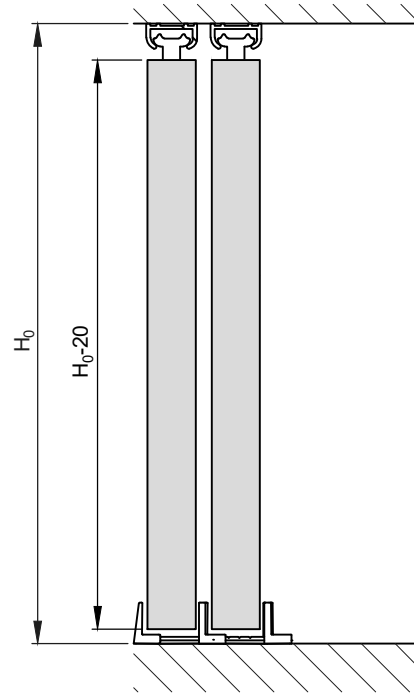
B  x4



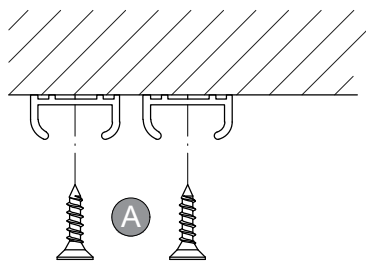
$$d = \frac{(L_0 + z)}{2}$$

$$z = 40$$

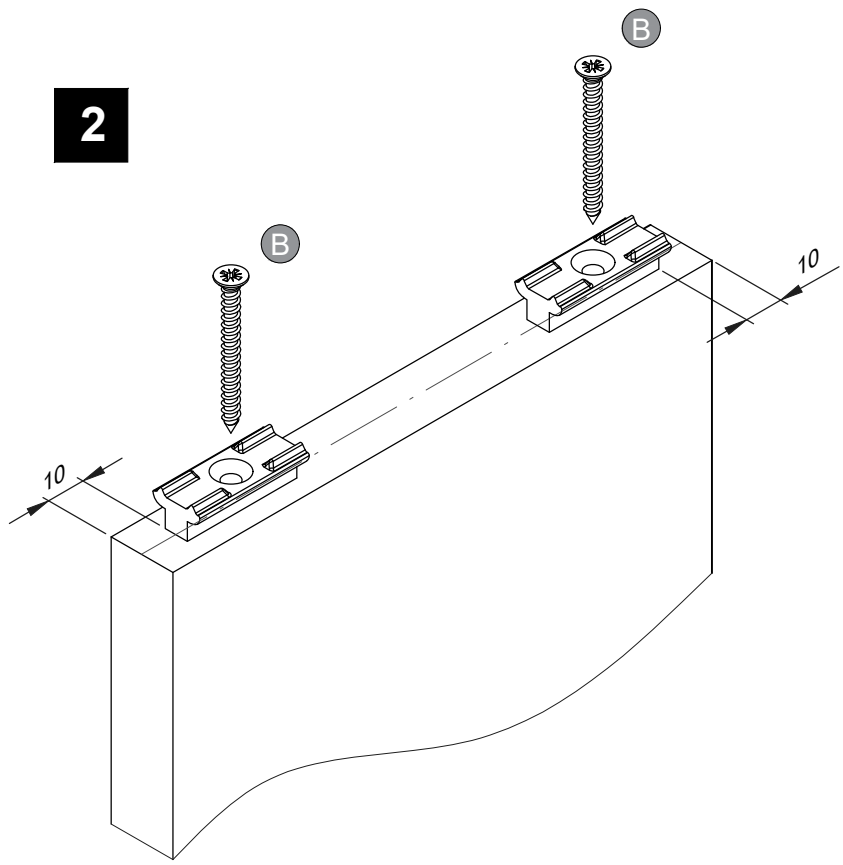
L_0 [mm]	1000	1500	1800
------------	------	------	------



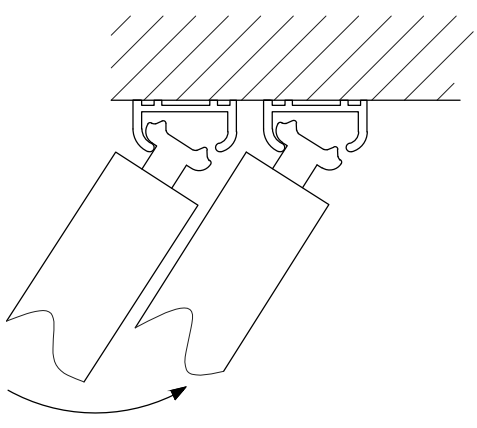
1



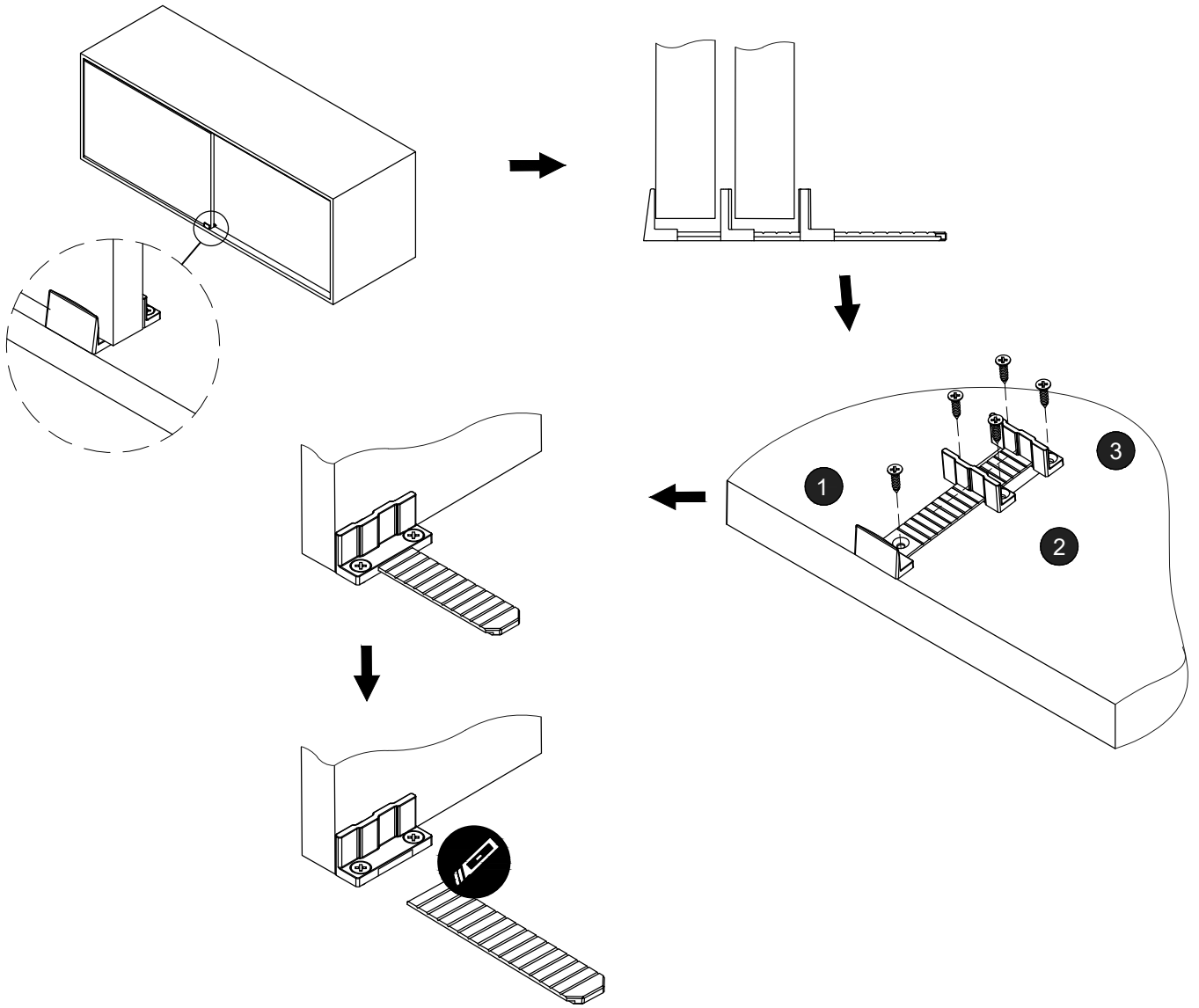
2



3



4



5

