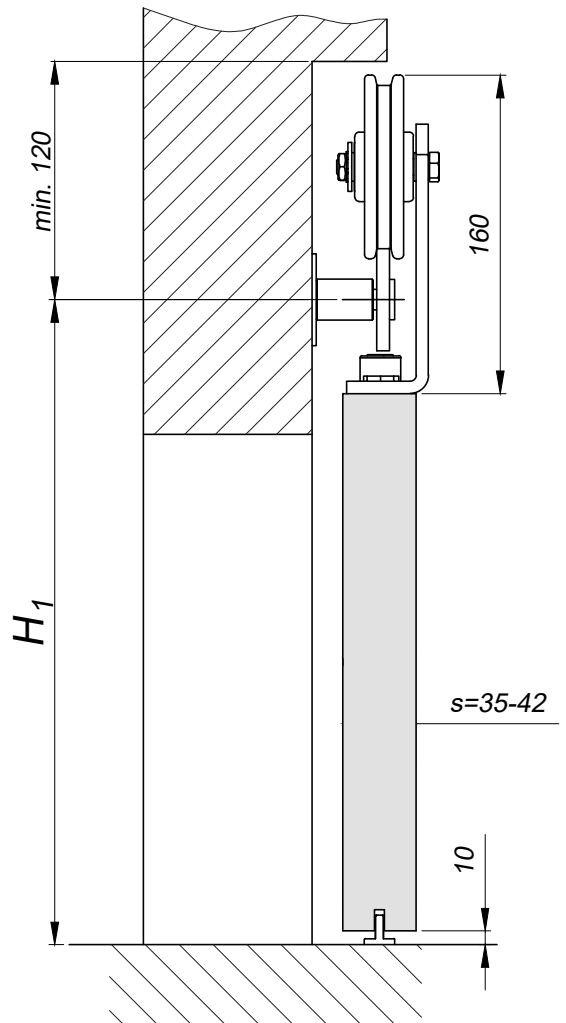
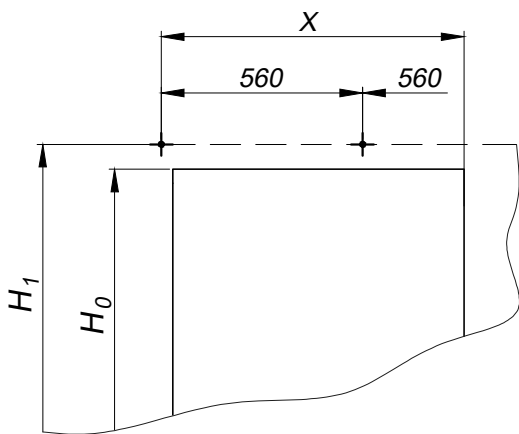


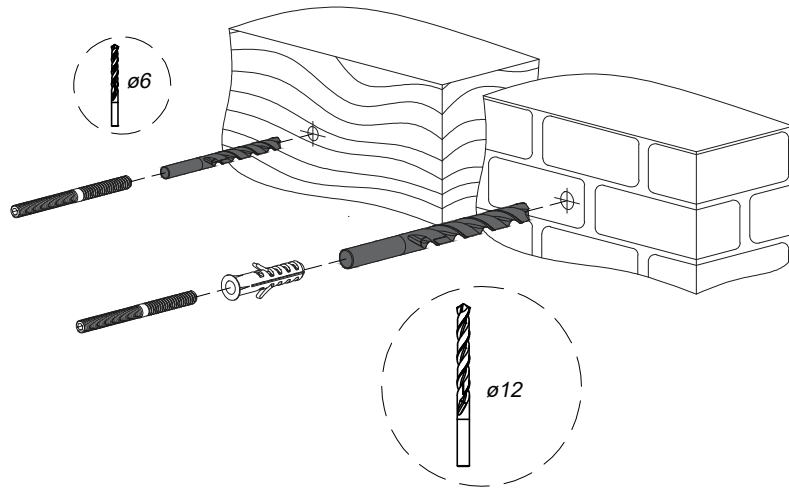
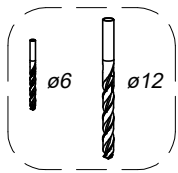
L_{Track} [mm]	1950	2400	3000
X [mm]	840	1120	1400



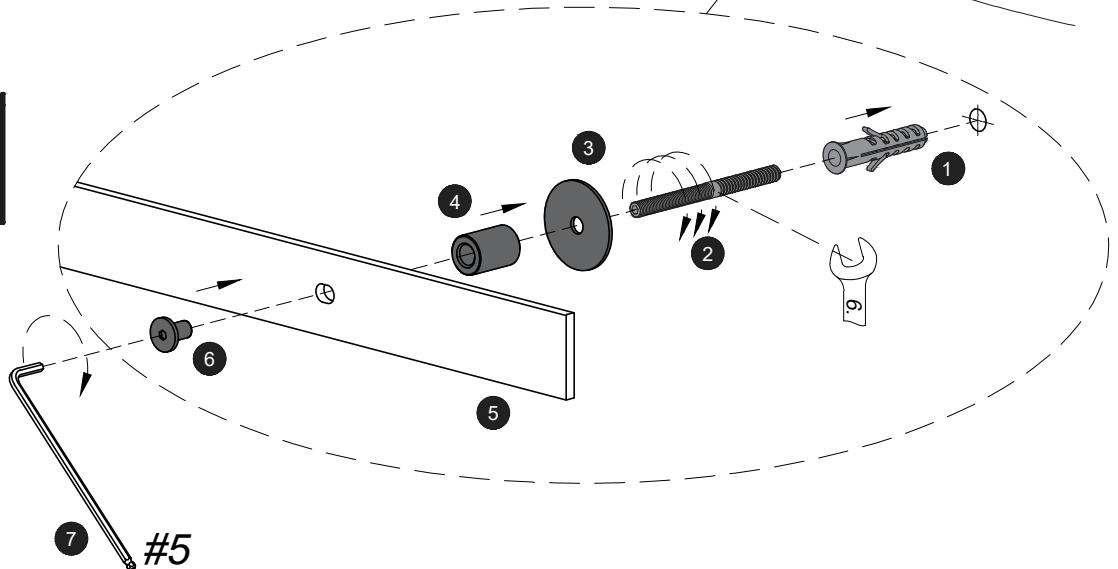
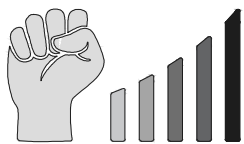
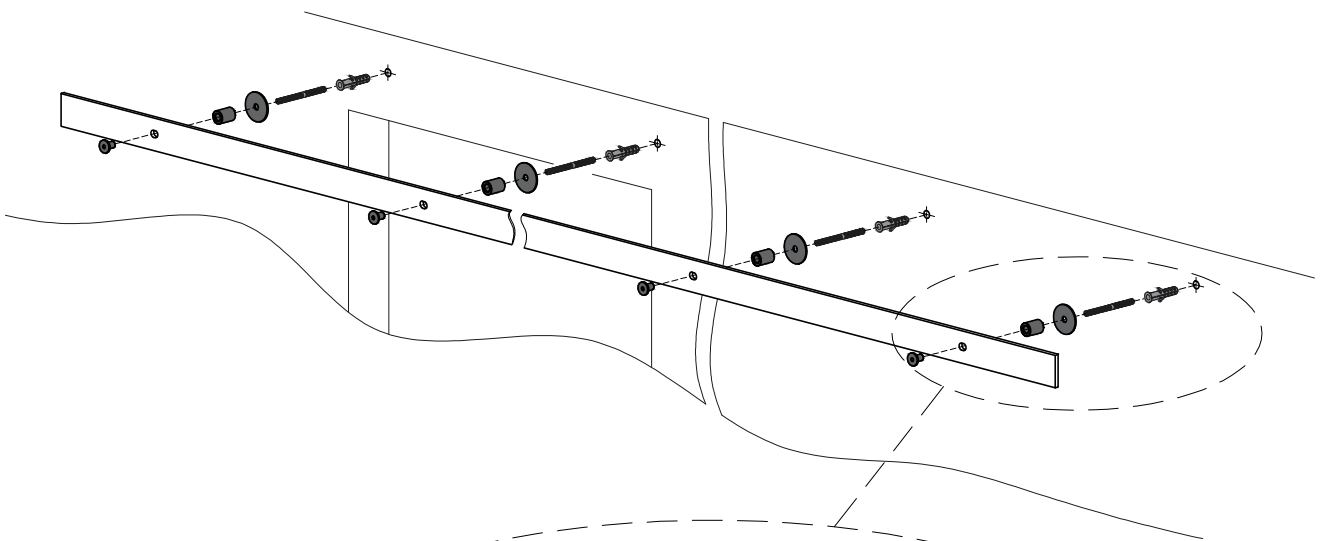
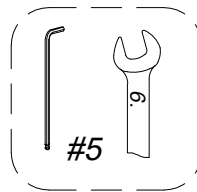
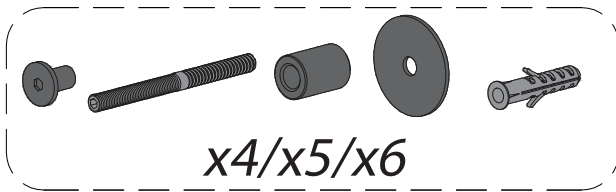
SU5950
SU5951

$H_1 = H_0 + 81$
 $H_1 = h + 61$

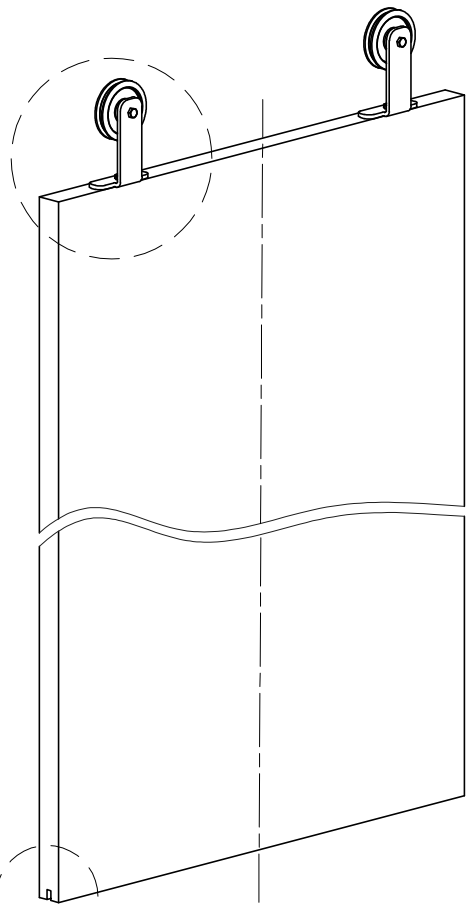
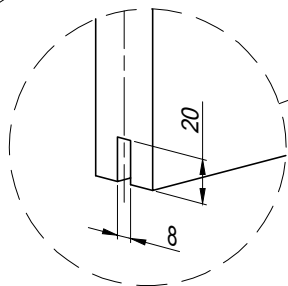
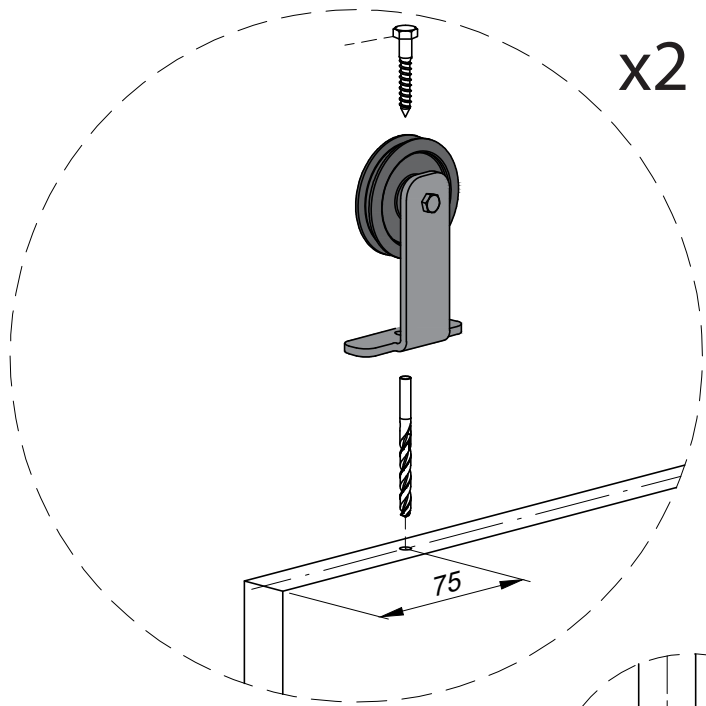
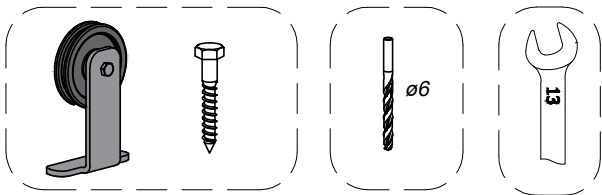
2



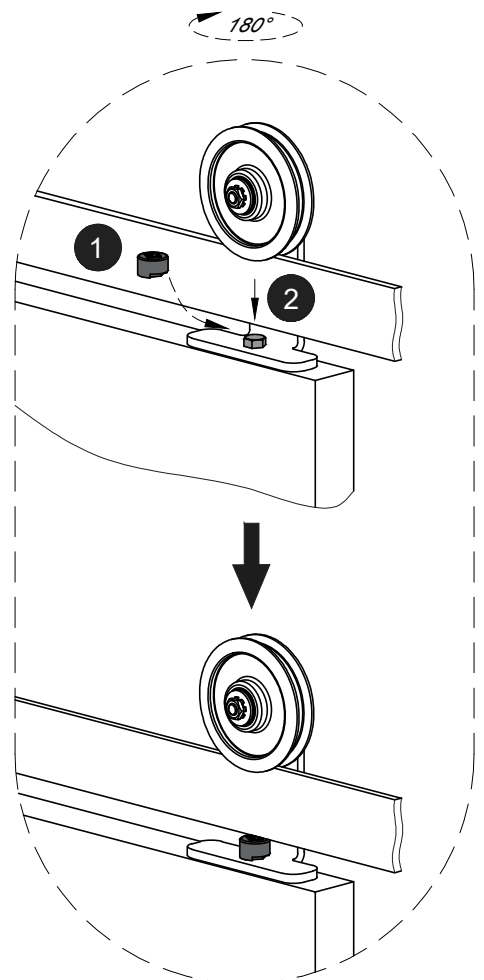
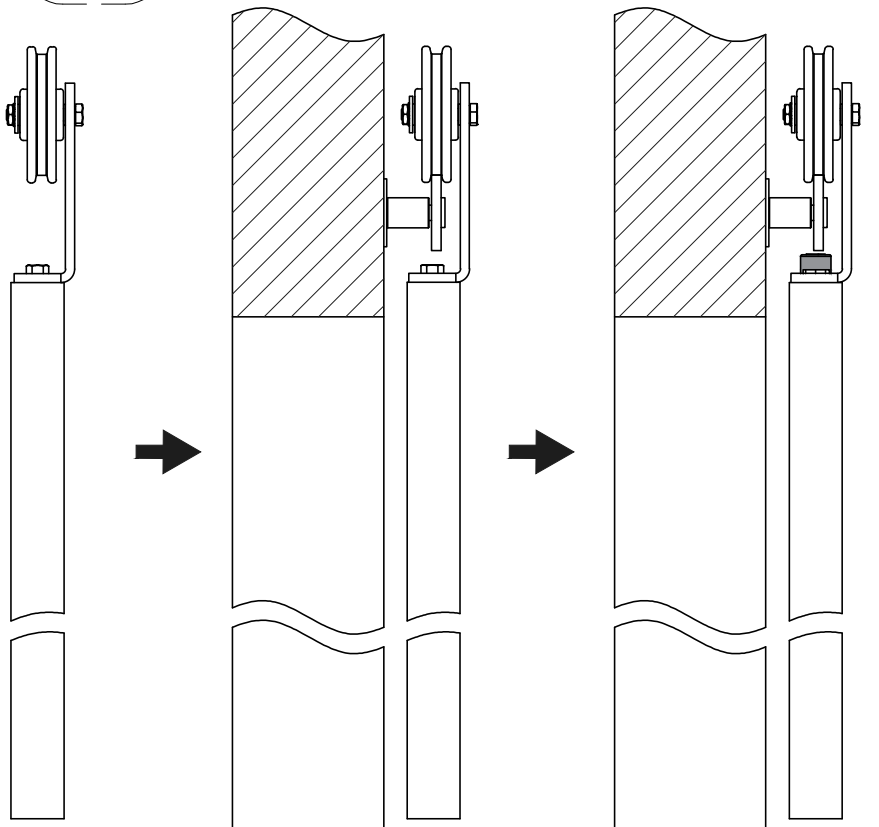
3



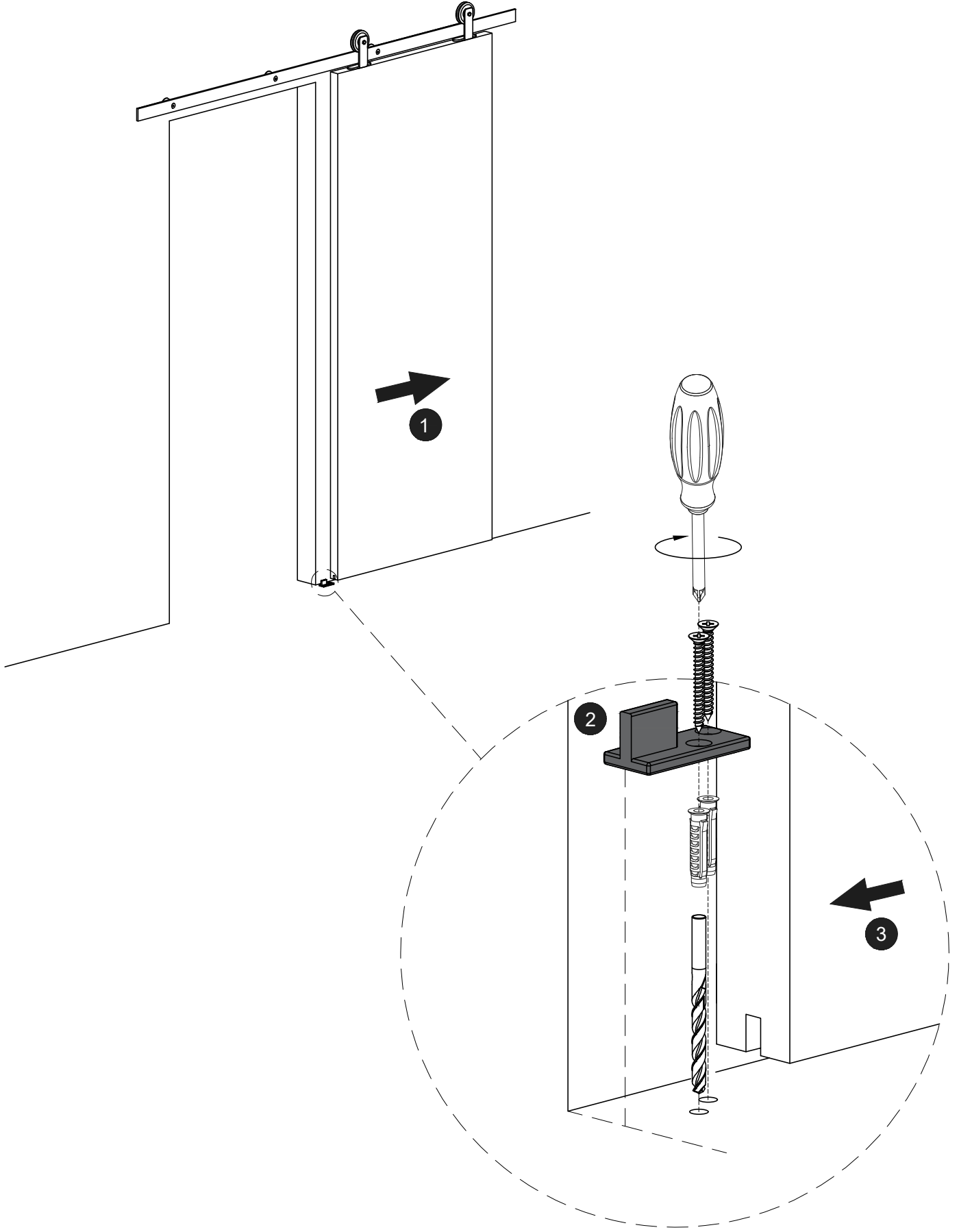
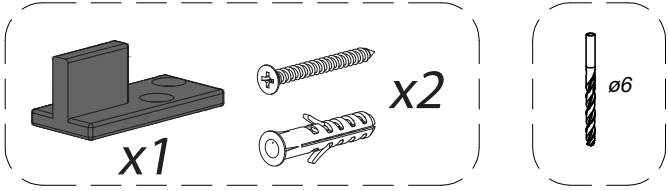
4



5

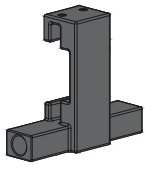


6

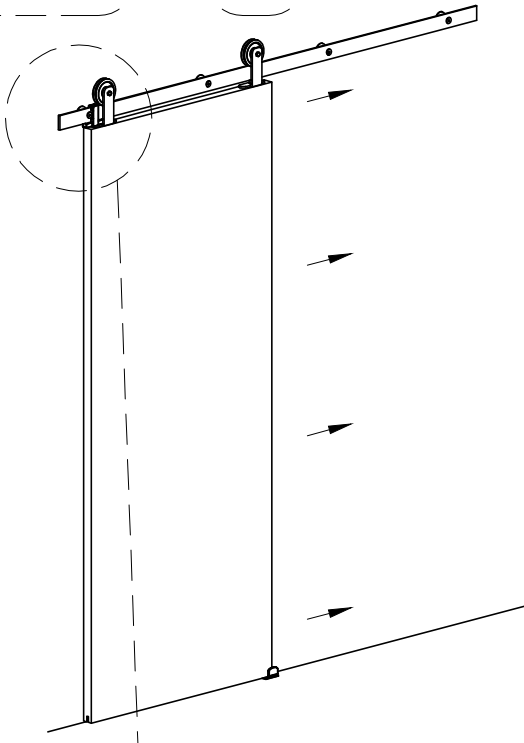


7

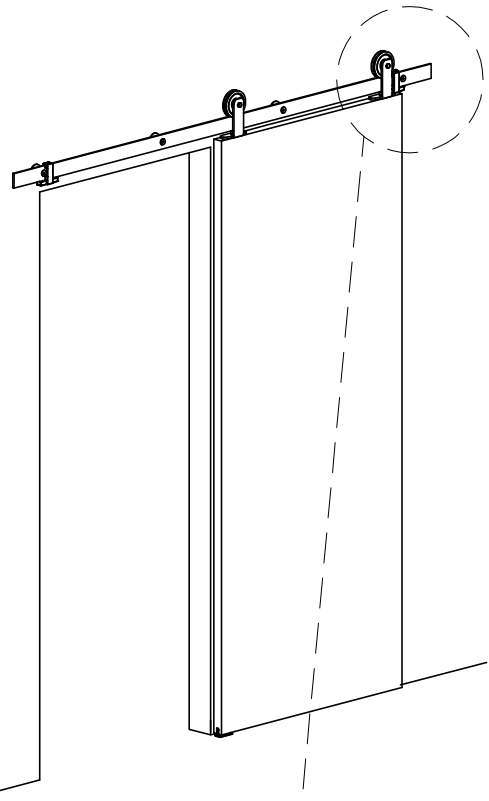
x2



#2



7a



7b

