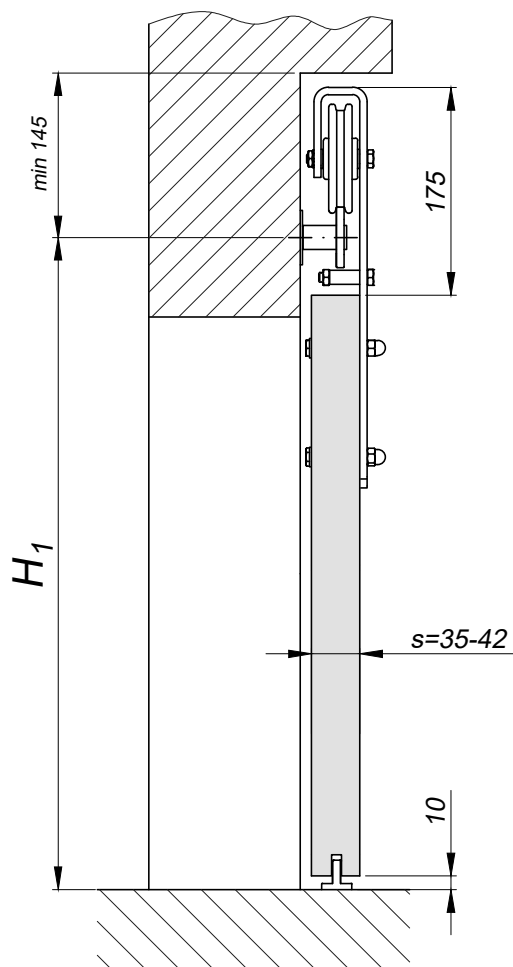
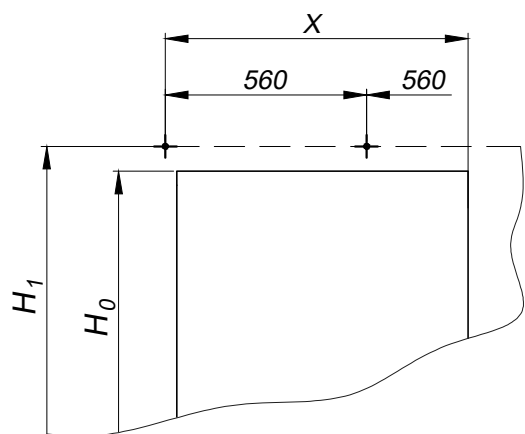


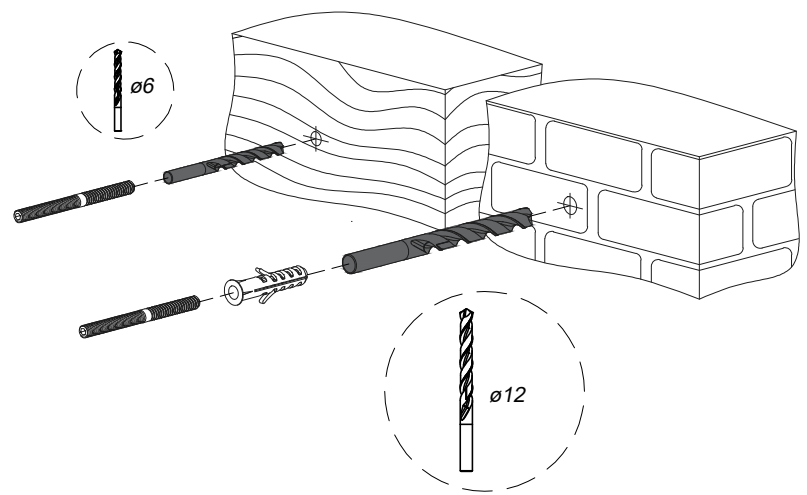
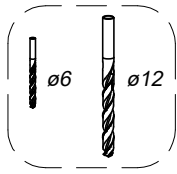
L_{Track} [mm]	1950	2400	3000
X [mm]	840	1120	1400



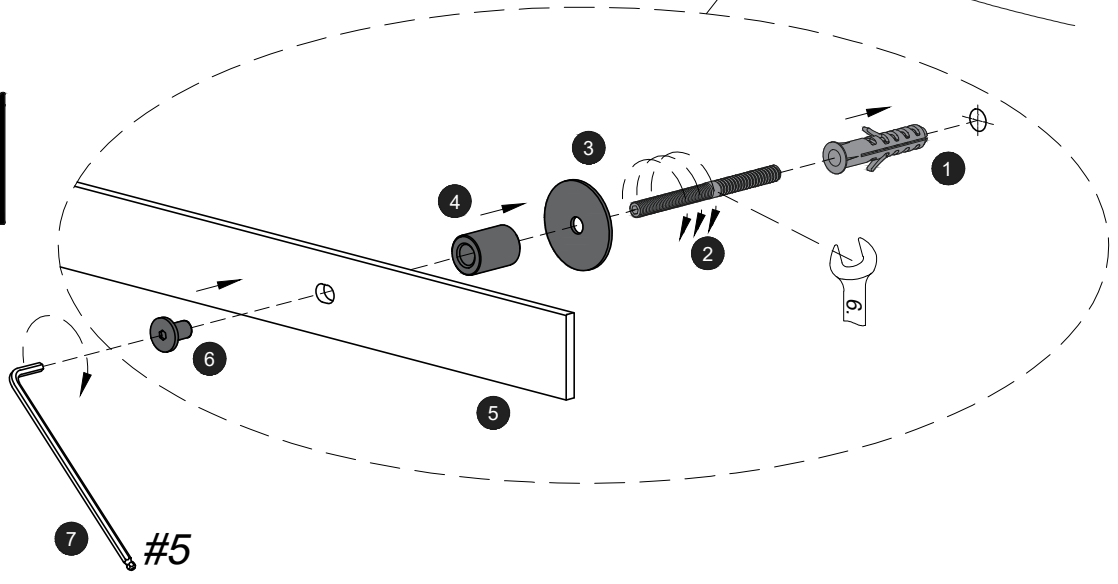
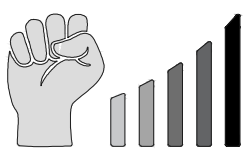
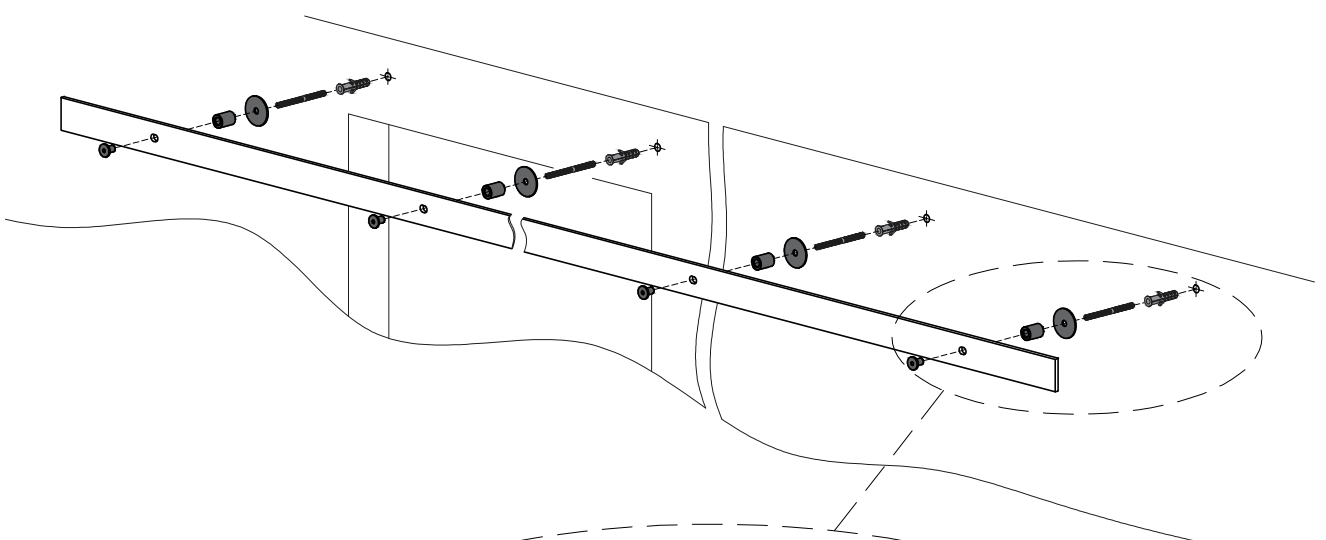
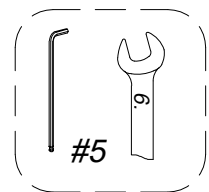
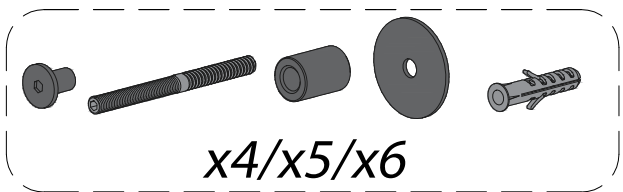
SU5950
SU5951

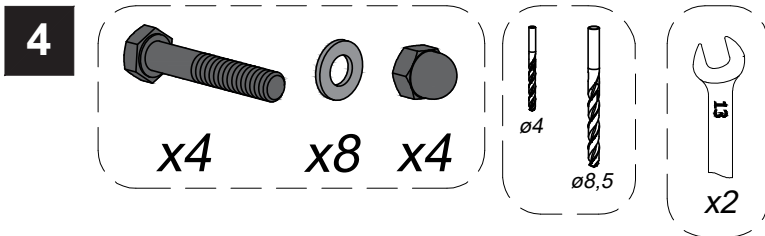
$H_1 = H_0 + 81$
 $H_1 = h + 61$

2

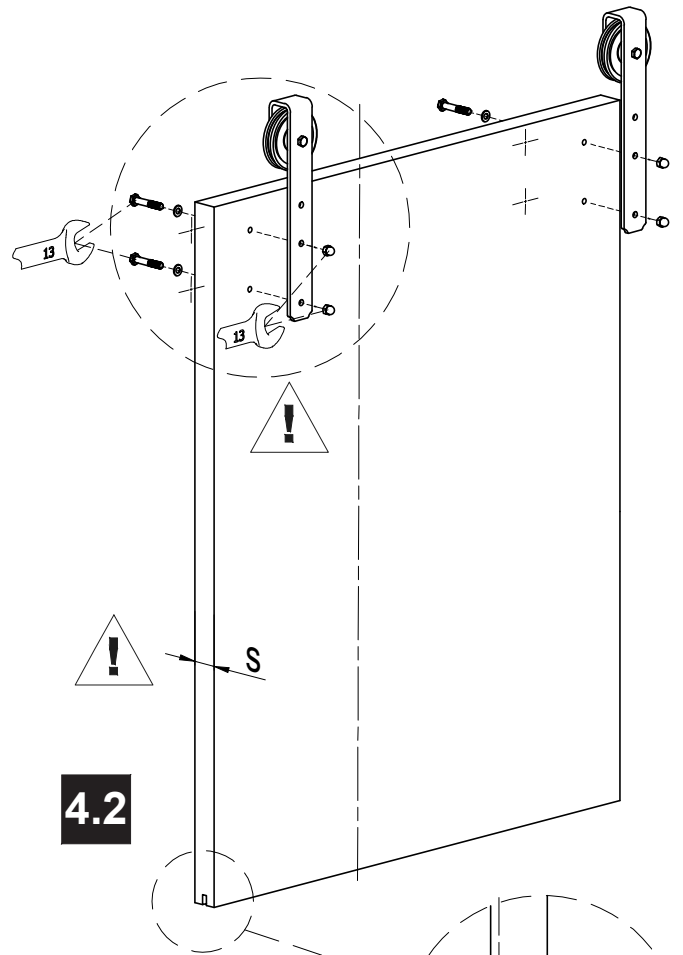
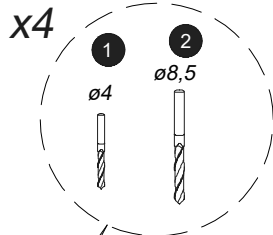
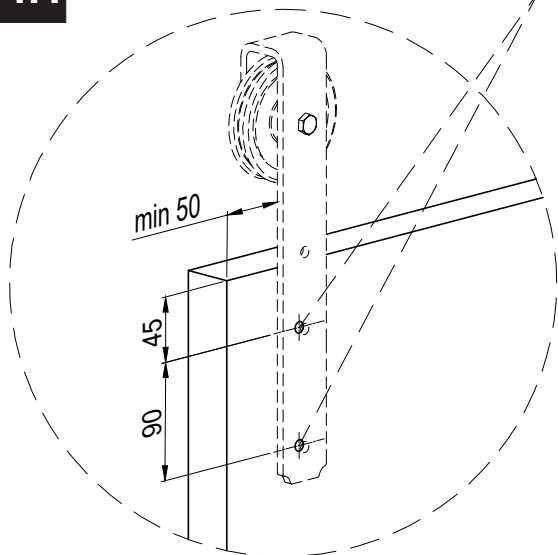


3

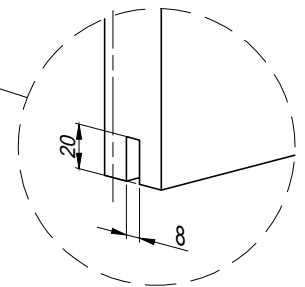




4.1



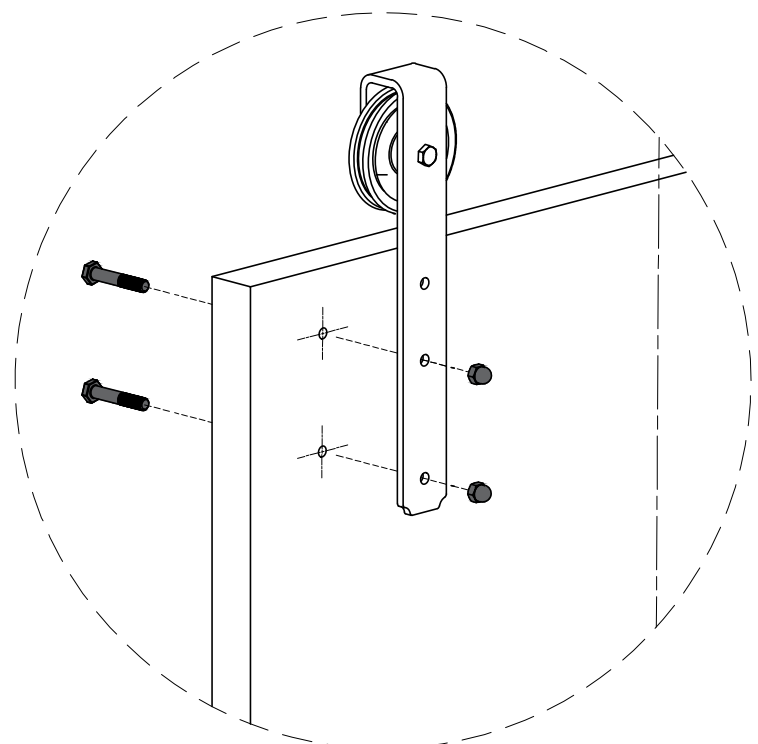
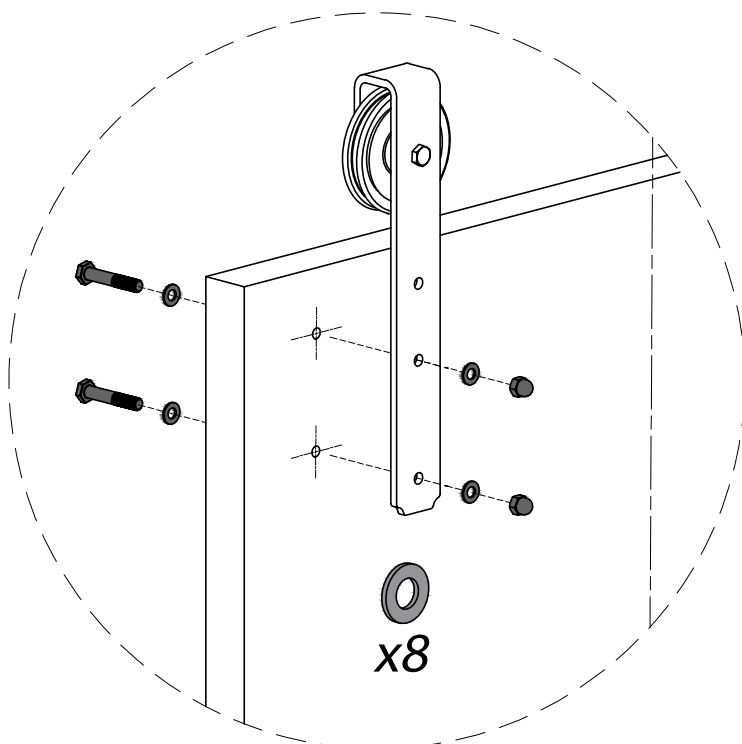
4.2



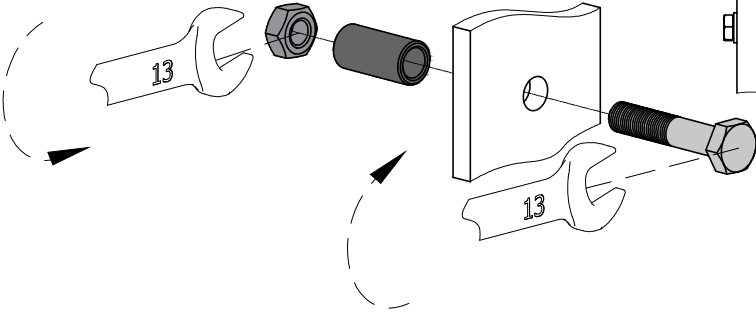
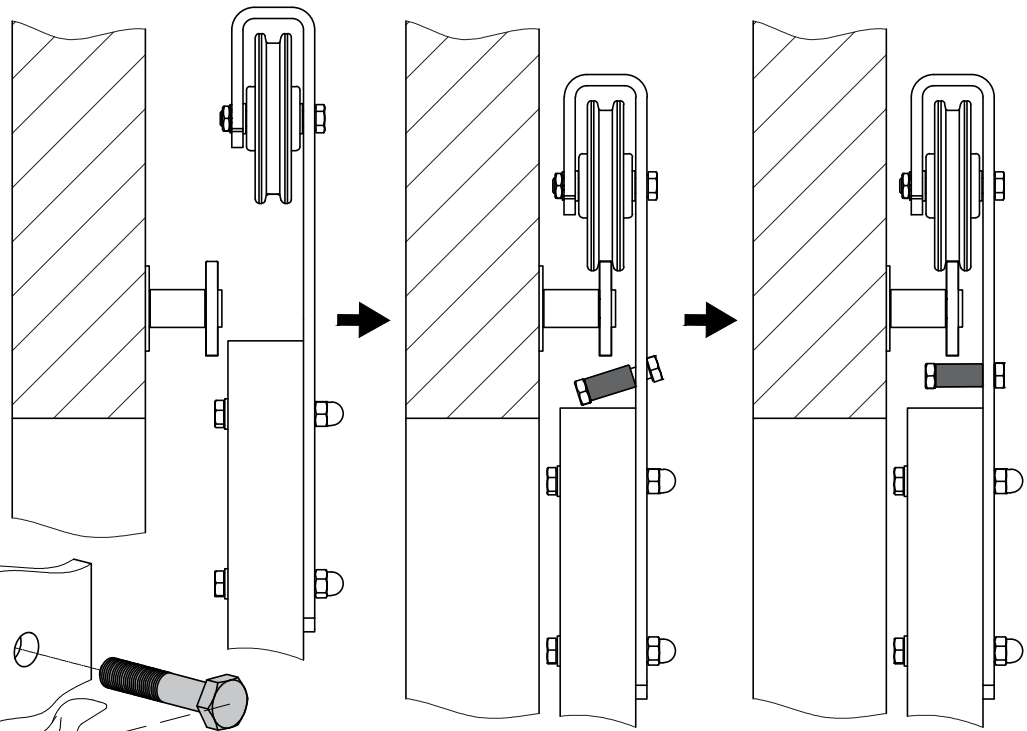
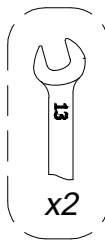
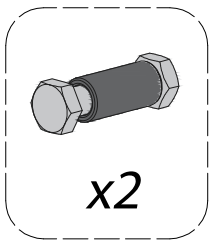
4.3

! $35 < s < 38$

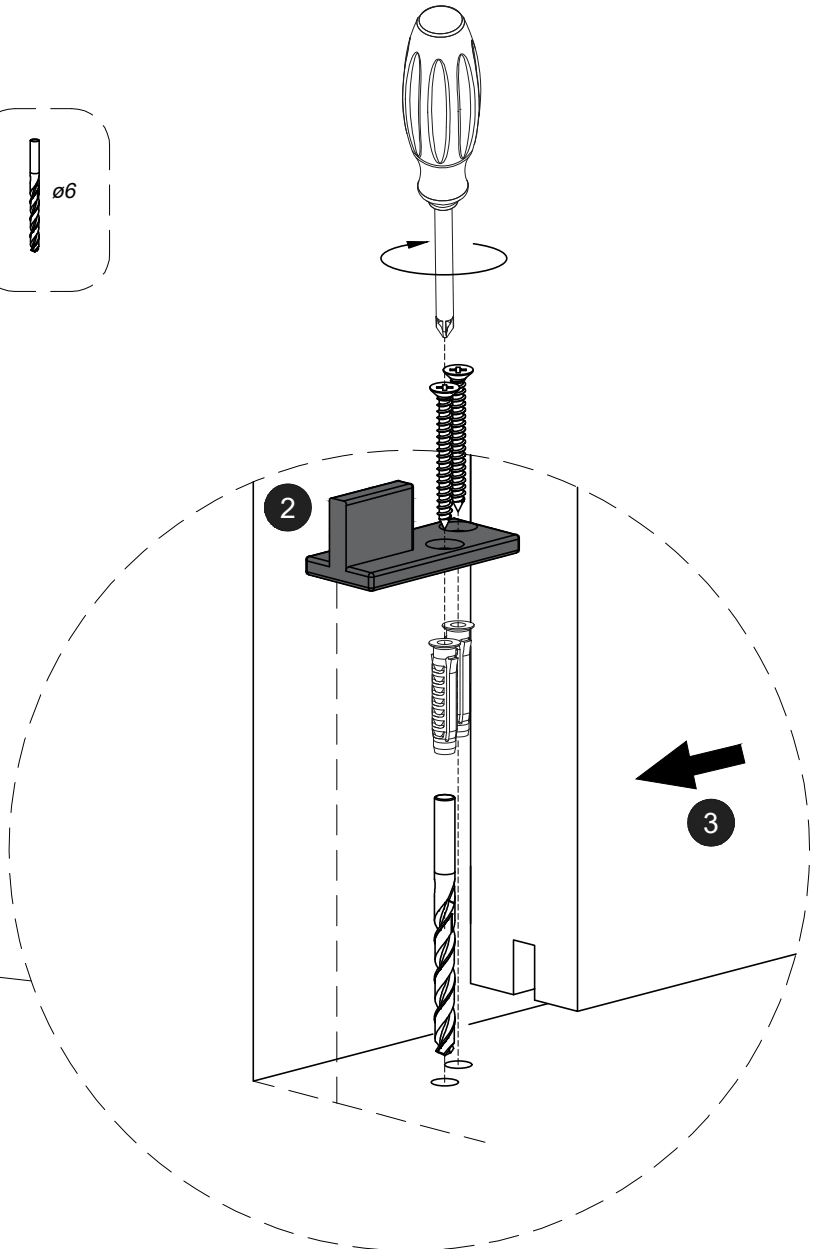
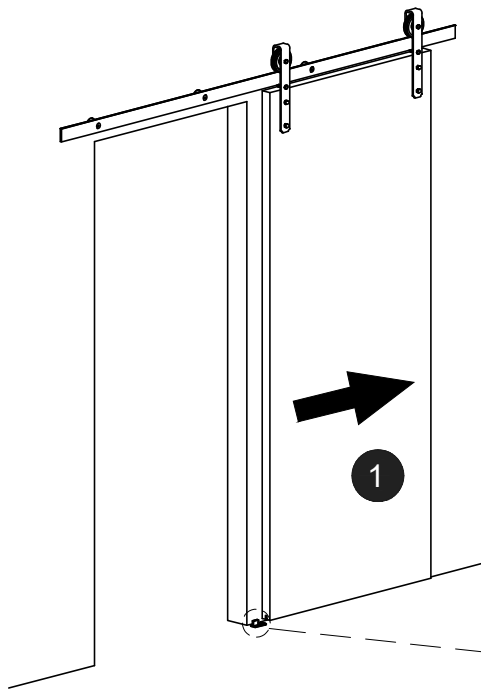
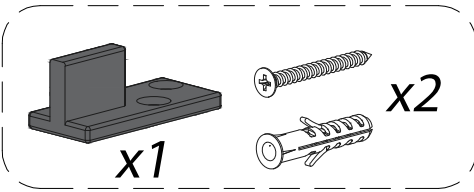
$38 \leq s < 42$



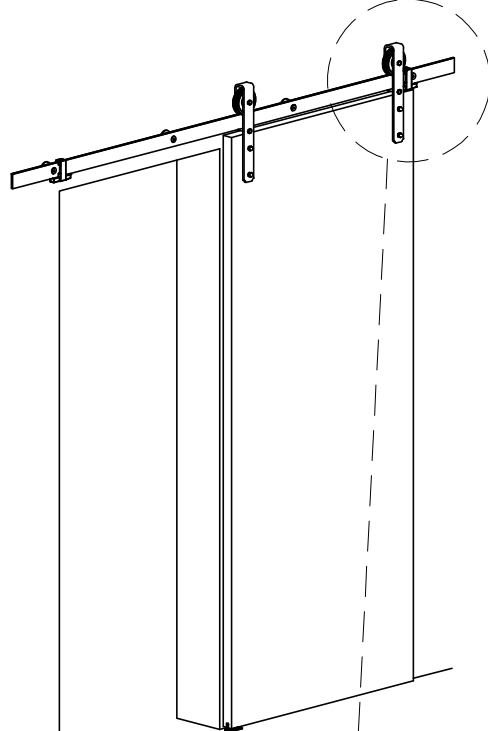
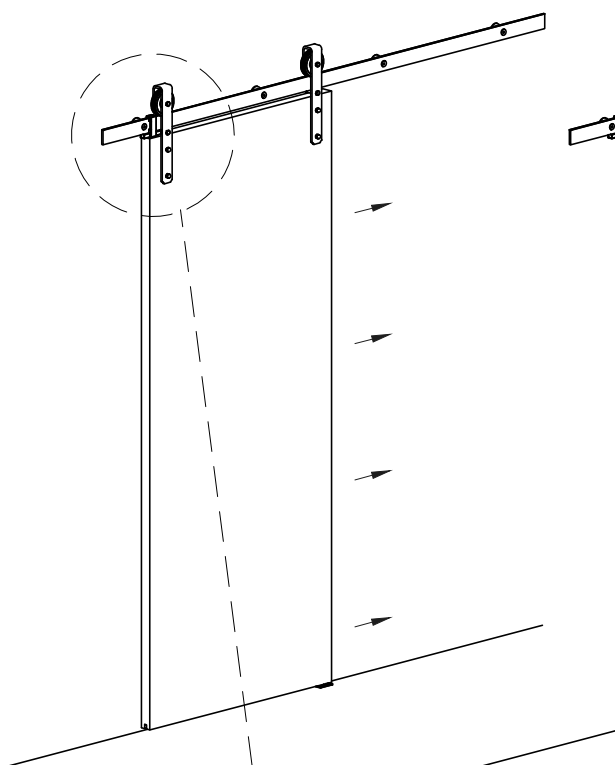
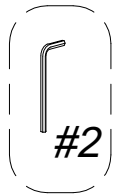
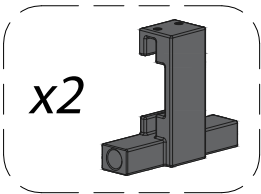
5



6



7



7a

7b

