

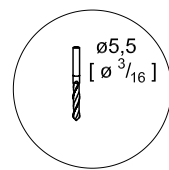
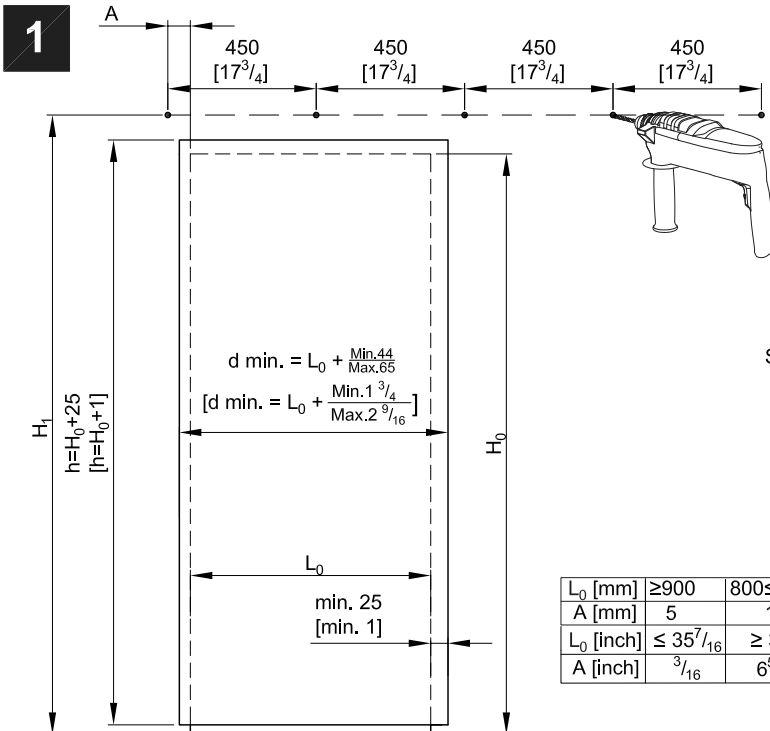
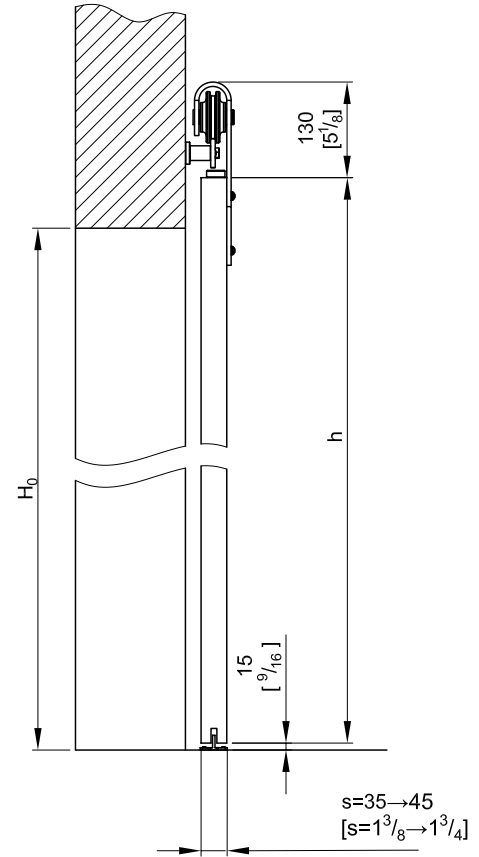
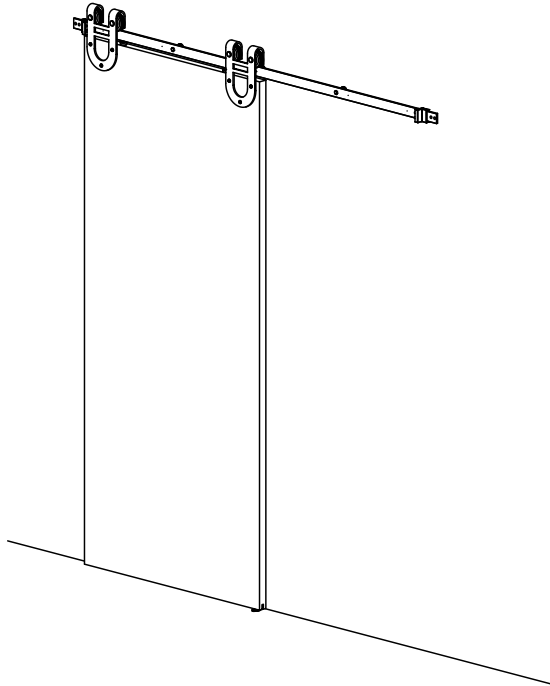
**SLID'UP**  
by MANTION

INSTRUCTION DE MONTAGE  
MONTAGEANLEITUNG  
INSTRUCTIONS FOR ASSEMBLY  
INSTRUCCIONES DE MONTAJE  
INSTRUKCJA MONTAŻU

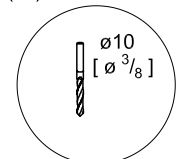
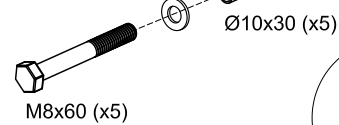
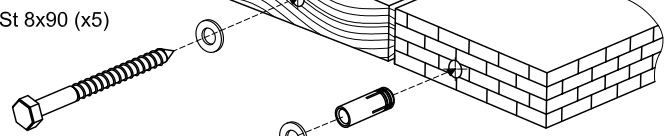
**SLID'UP 240**  
SU5373



100KG  
220lb

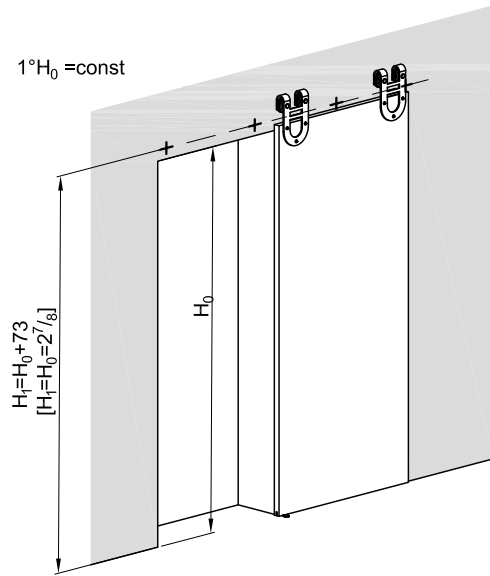


St 8x90 (x5)

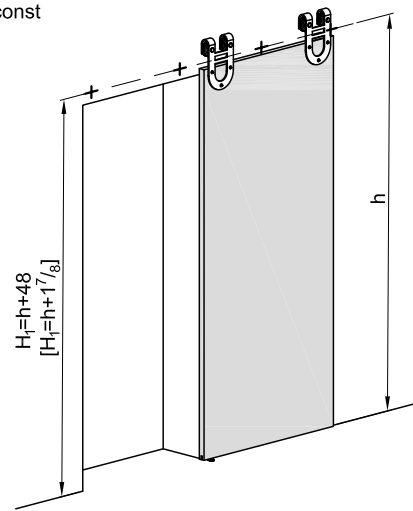


$L_0$ [mm]	$\geq 900$	$800 \leq L_0 < 900$
A [mm]	5	160
$L_0$ [inch]	$\leq 35 \frac{7}{16}$	$\geq 31 \frac{1}{2}$
A [inch]	$\frac{3}{16}$	$6 \frac{5}{16}$

1°  $H_0 = \text{const}$

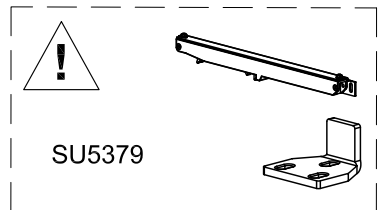
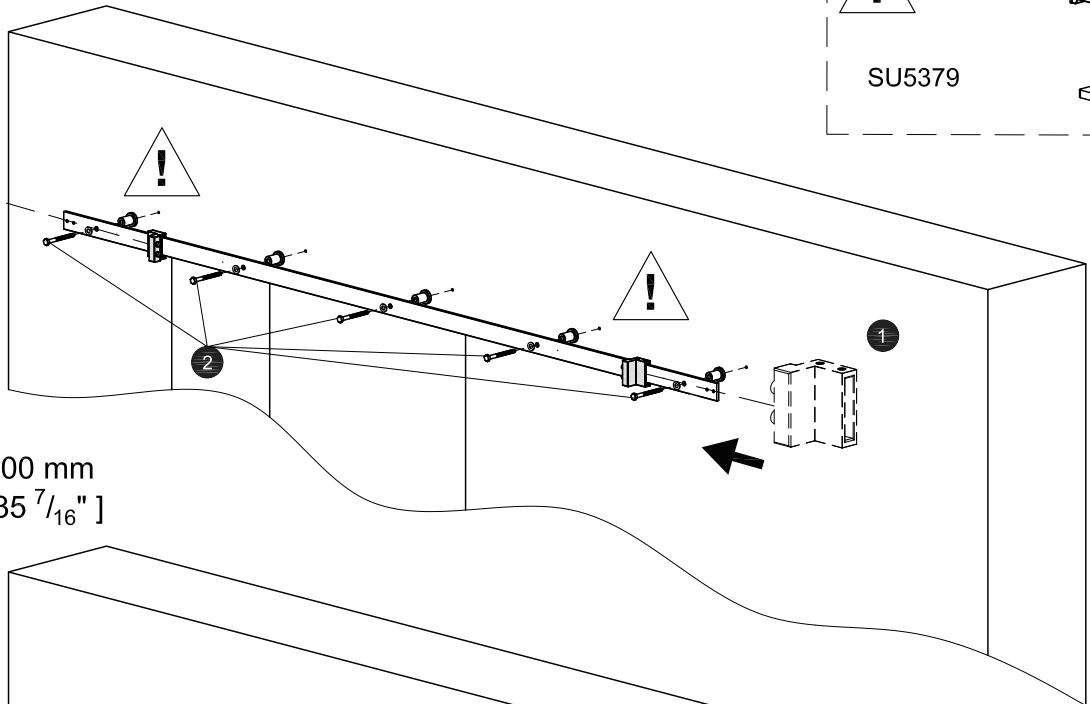


2°  $h = \text{const}$

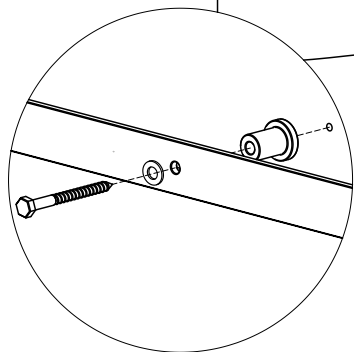
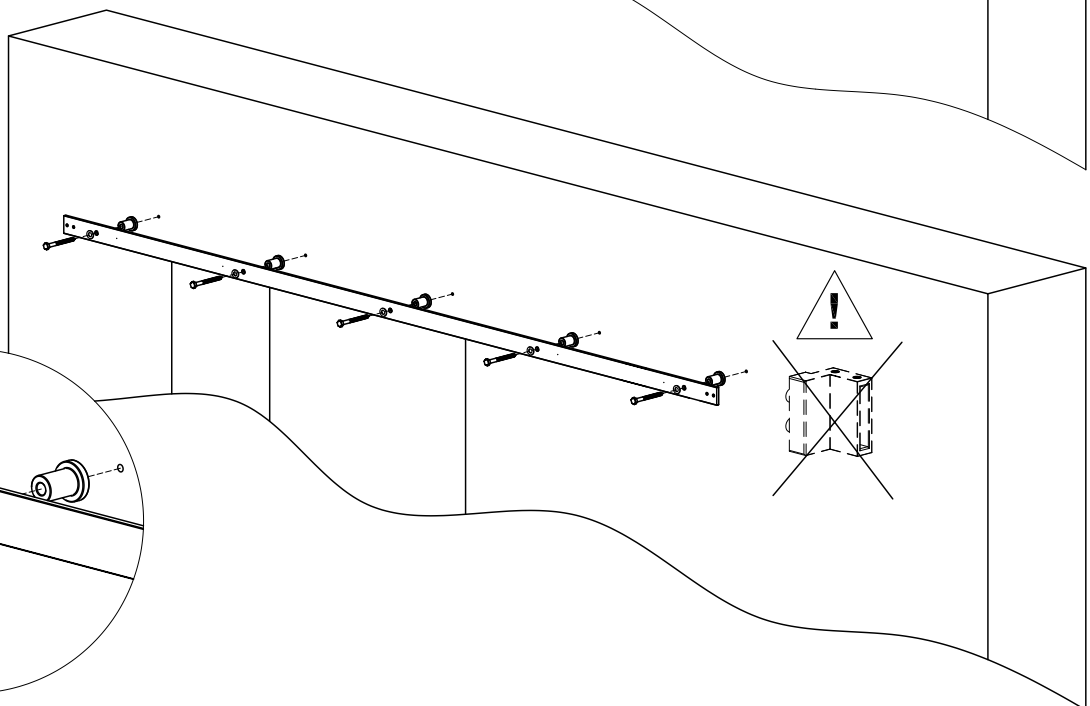
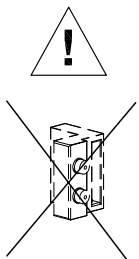


**2**

1.  $L_0 \geq 800 \text{ mm}$   
[ $L_0 \geq 31 \frac{1}{2} \text{ ''}$ ]

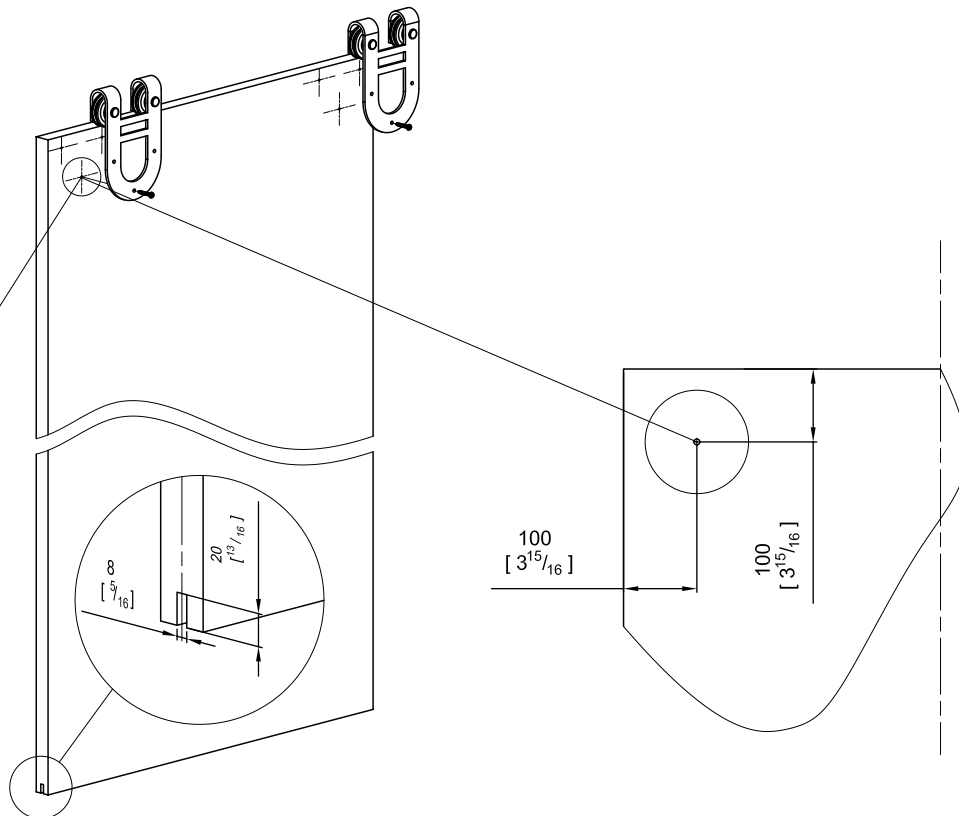
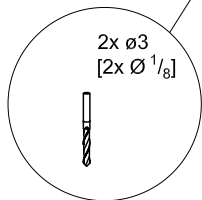


2.  $L_0 \leq 900 \text{ mm}$   
[ $L_0 \leq 35 \frac{7}{16} \text{ ''}$ ]

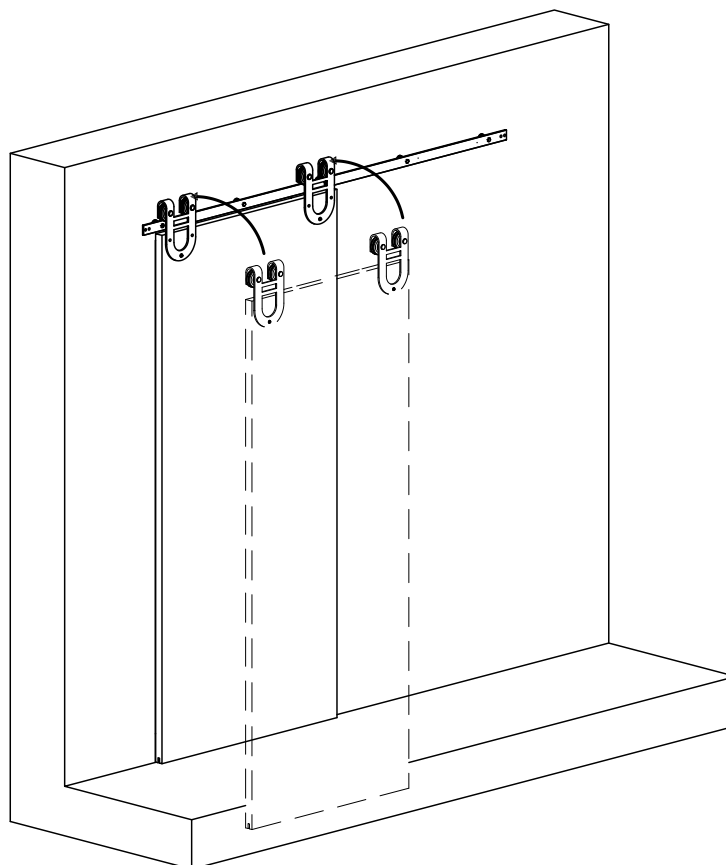


3

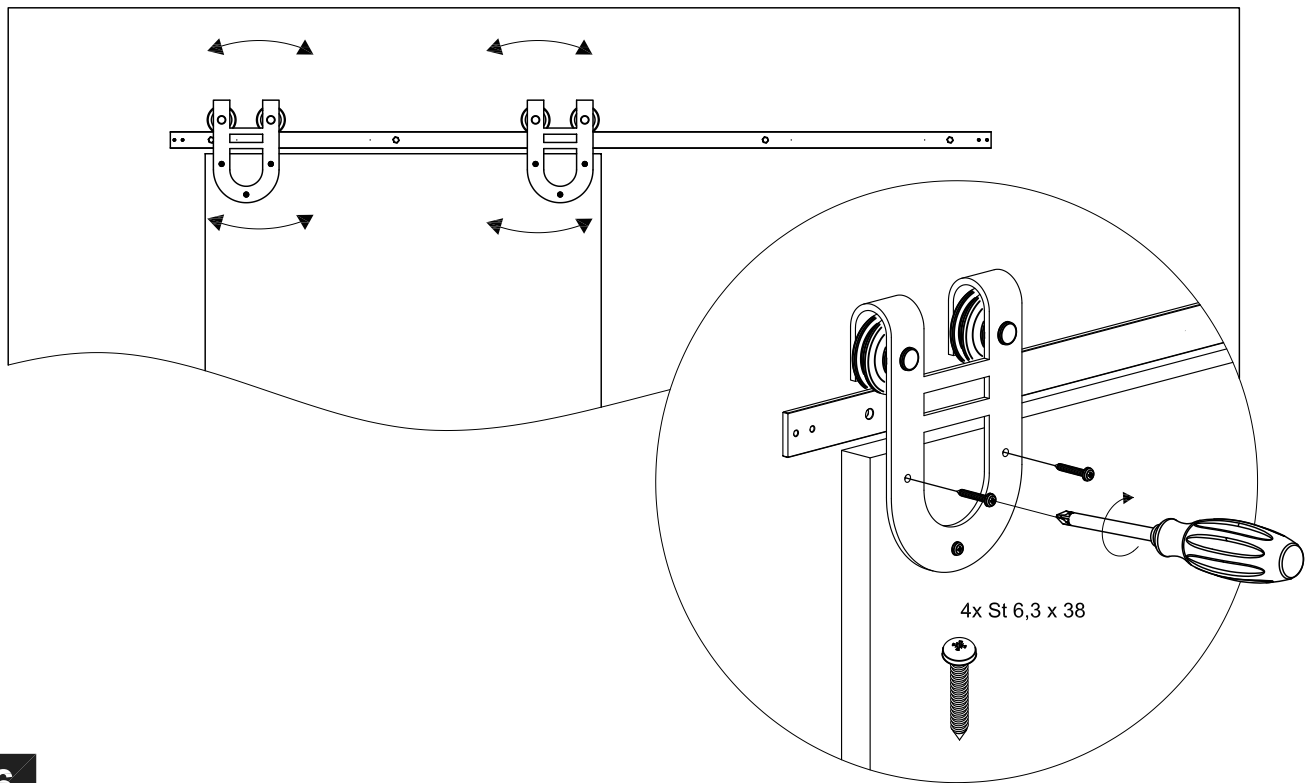
2x St 6,3 x 38



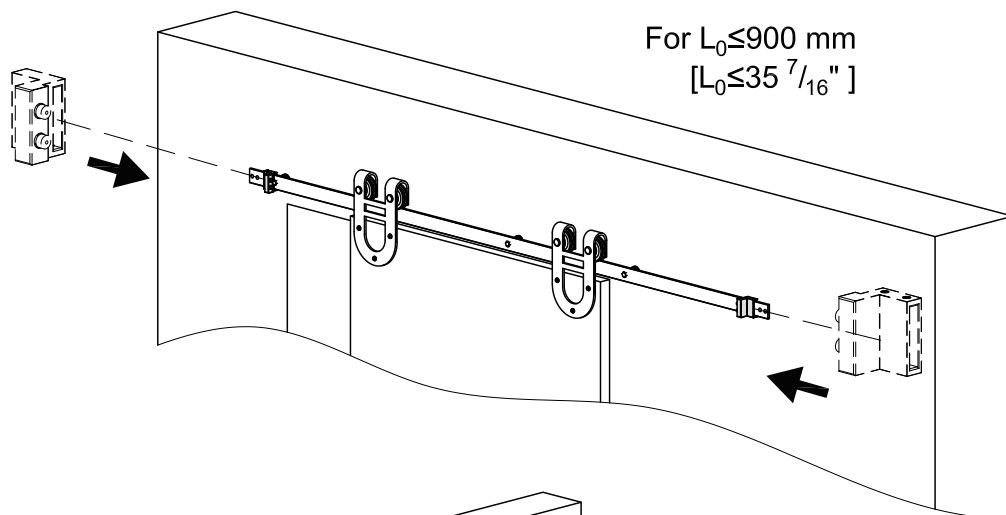
4



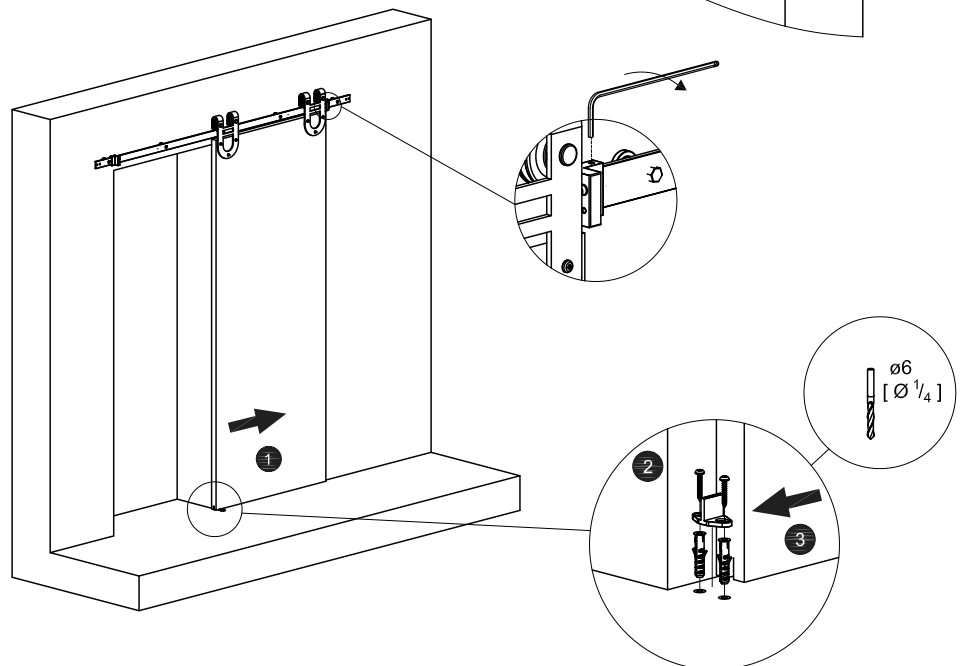
5



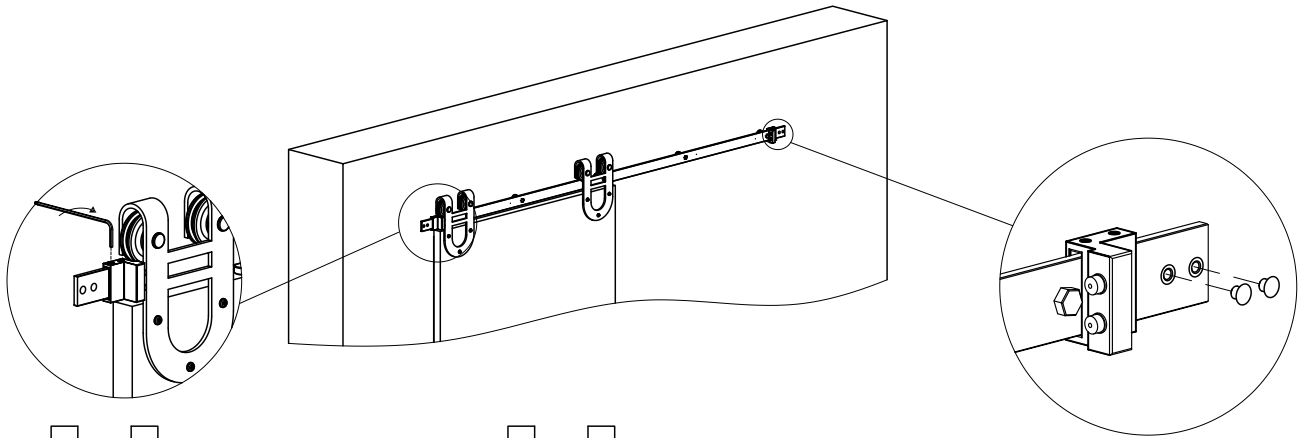
6



7



8



9

