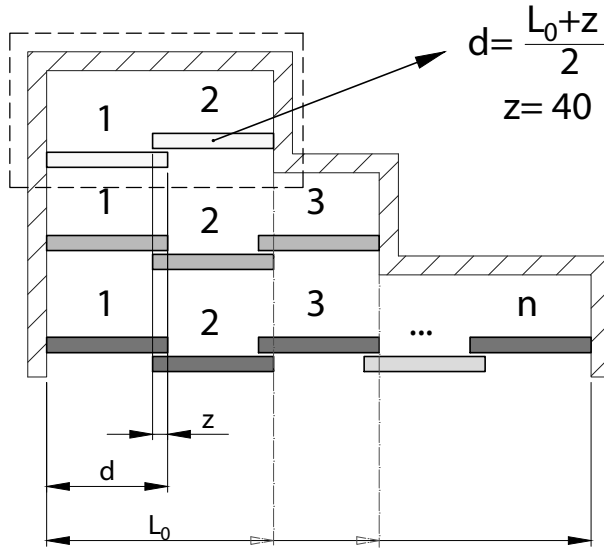
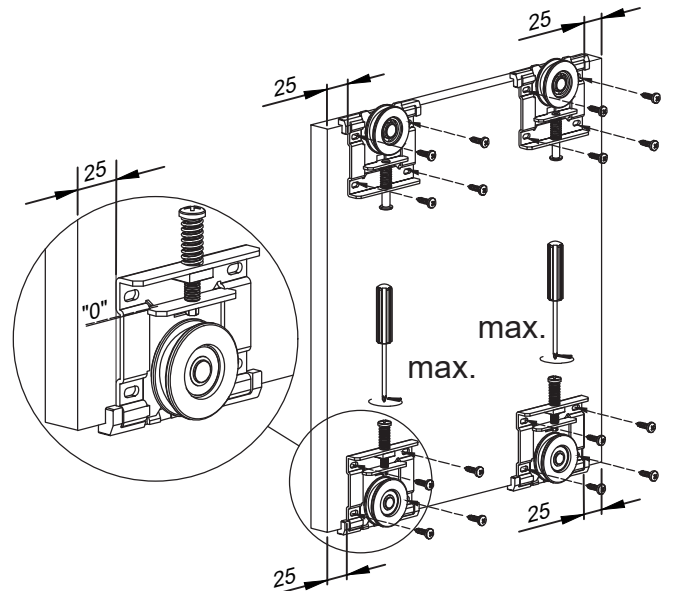
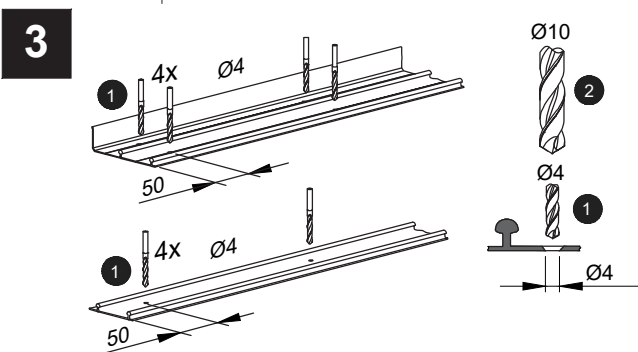
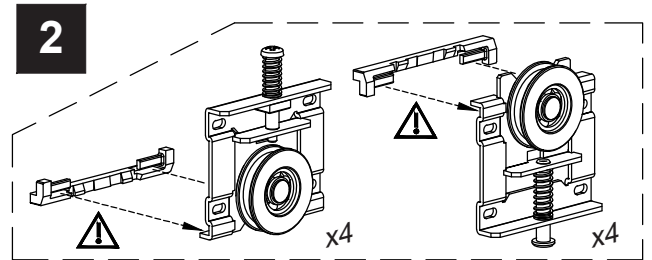
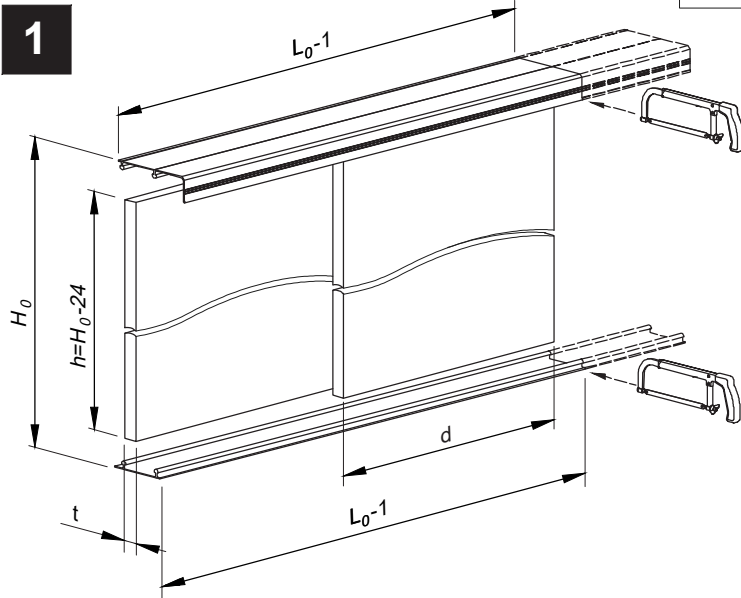
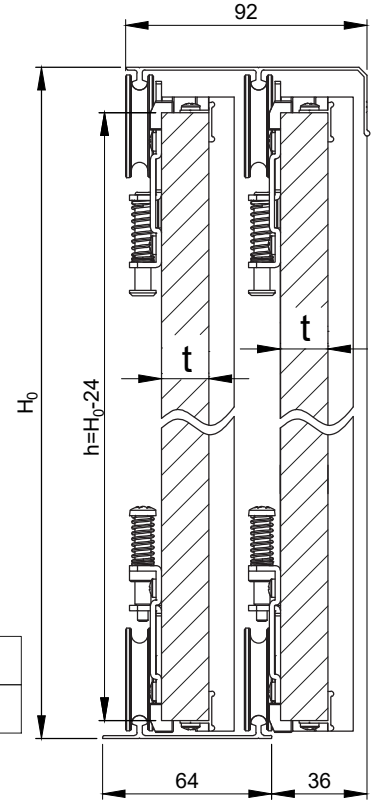


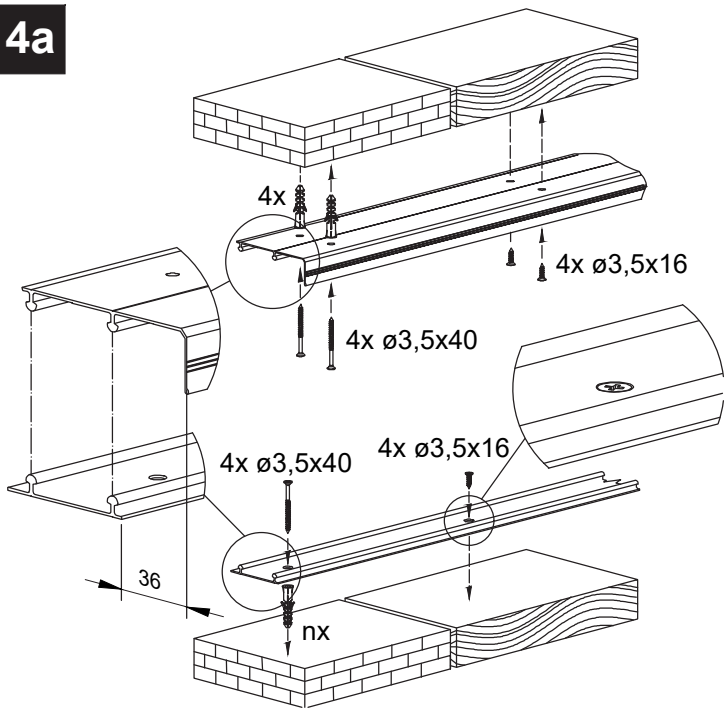
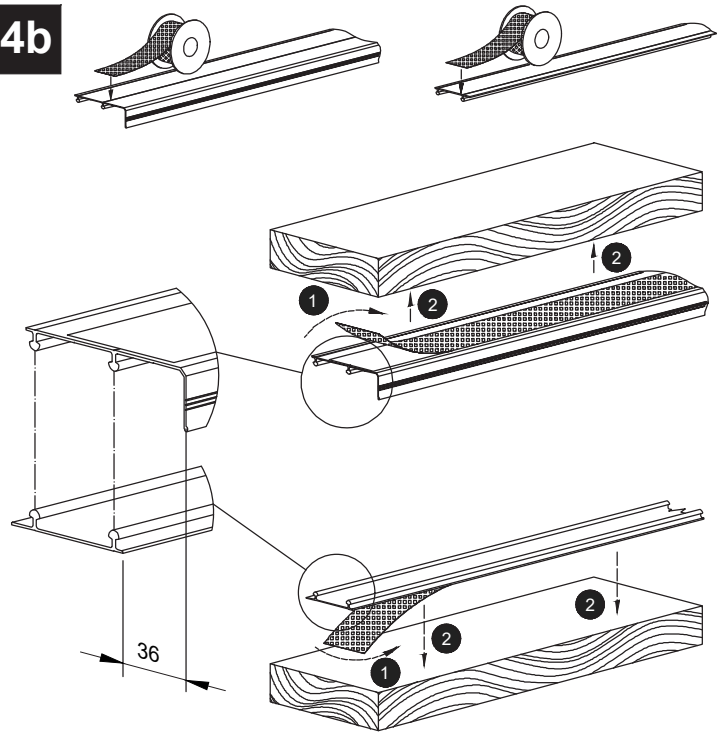
$$d = \frac{L_0 + (n-1) \cdot z}{n}$$

$z = 40$

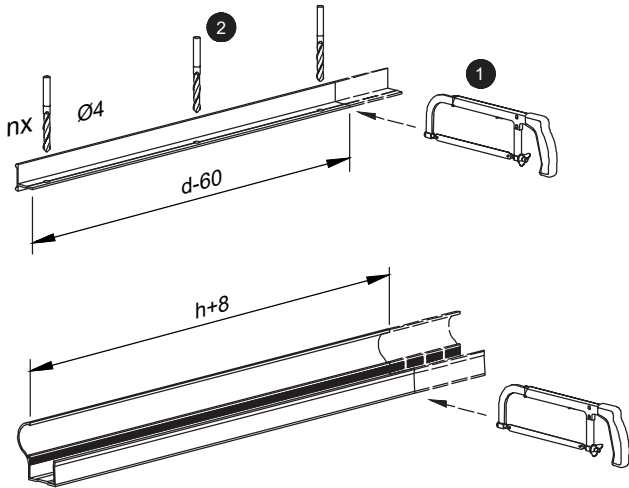
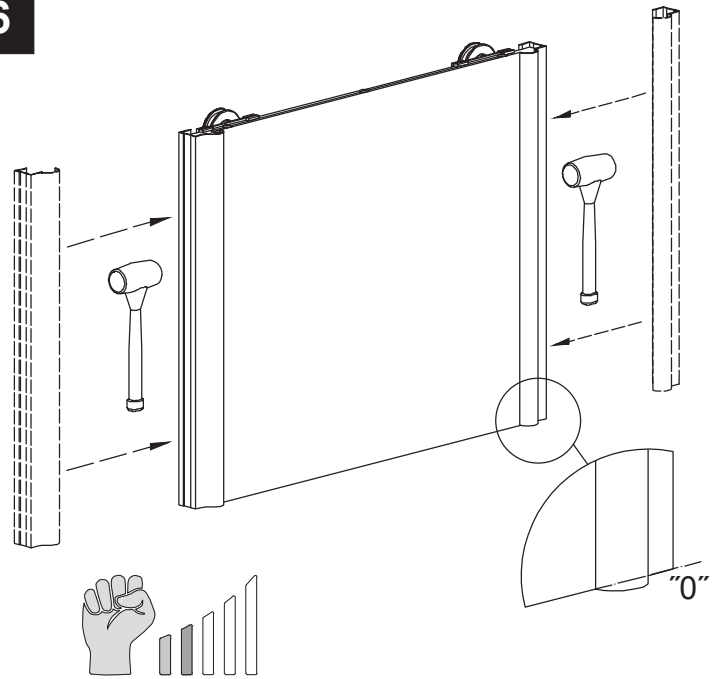
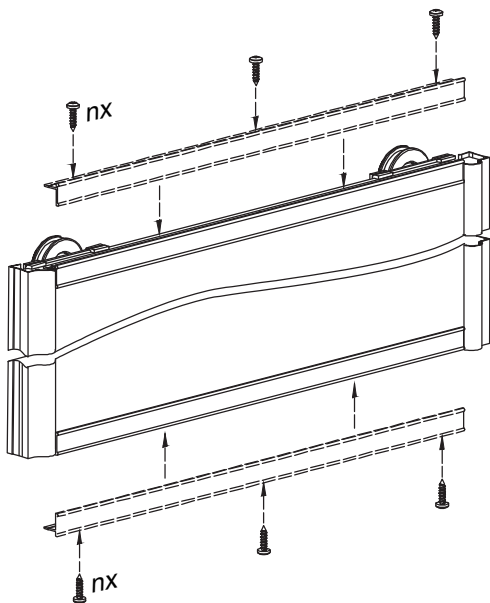


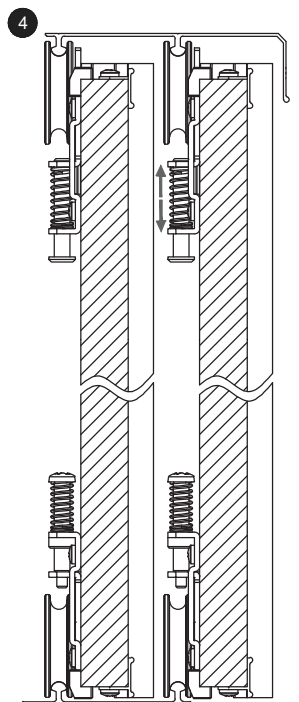
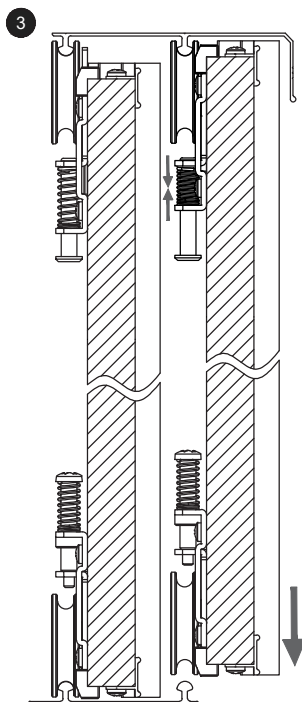
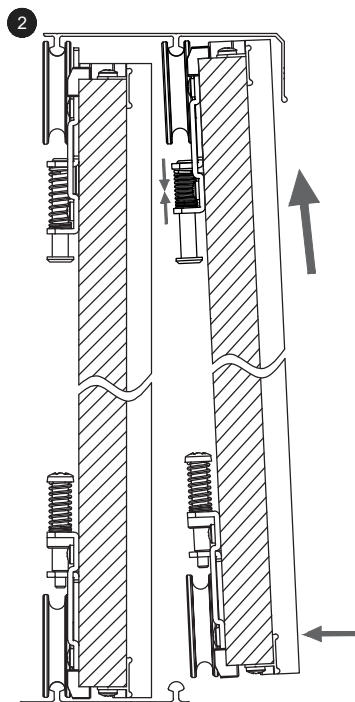
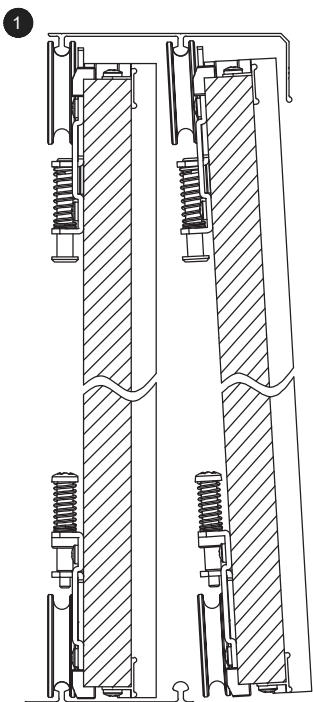
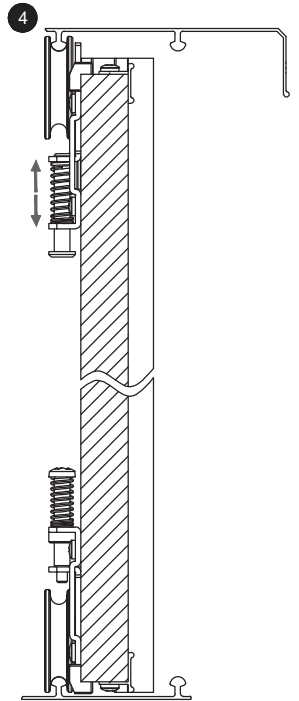
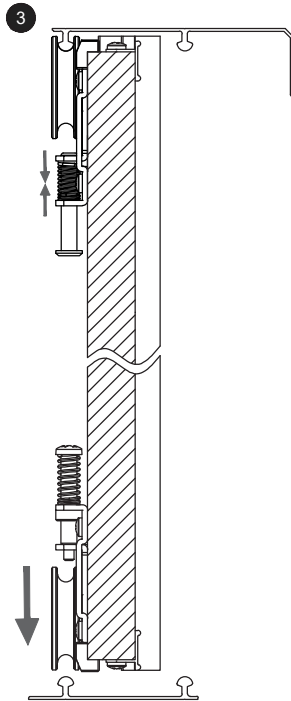
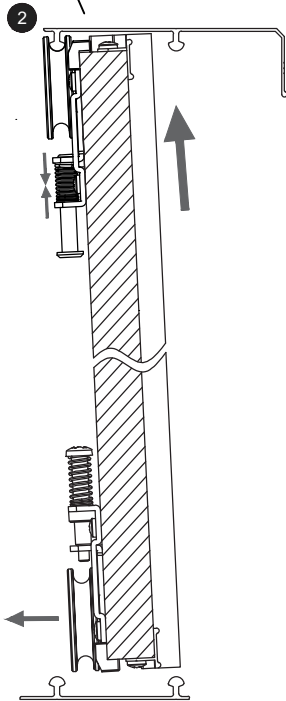
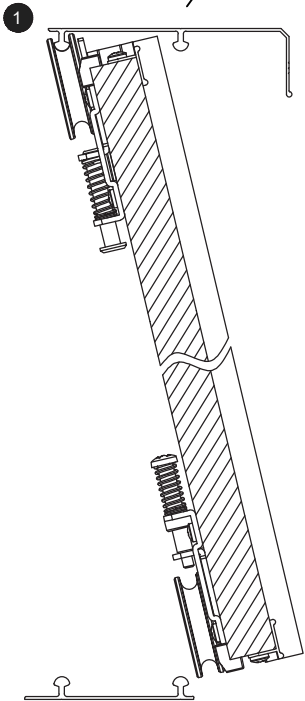
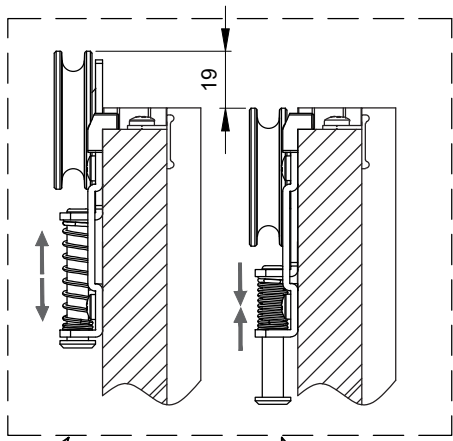
SLID'UP	210	220	230
t[mm]	16	18	19



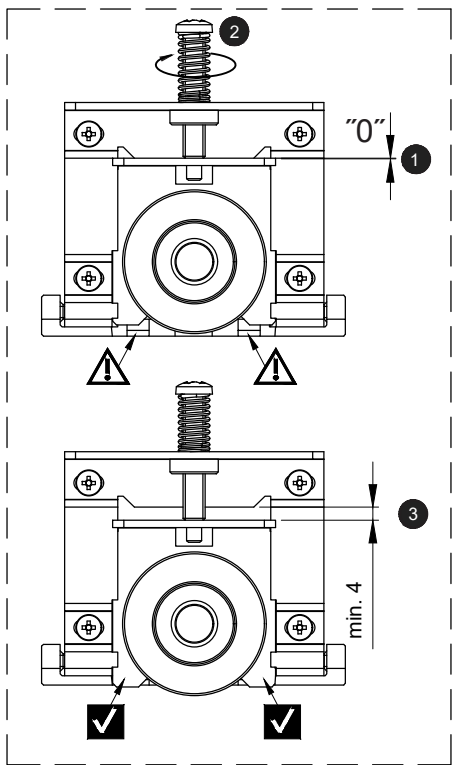
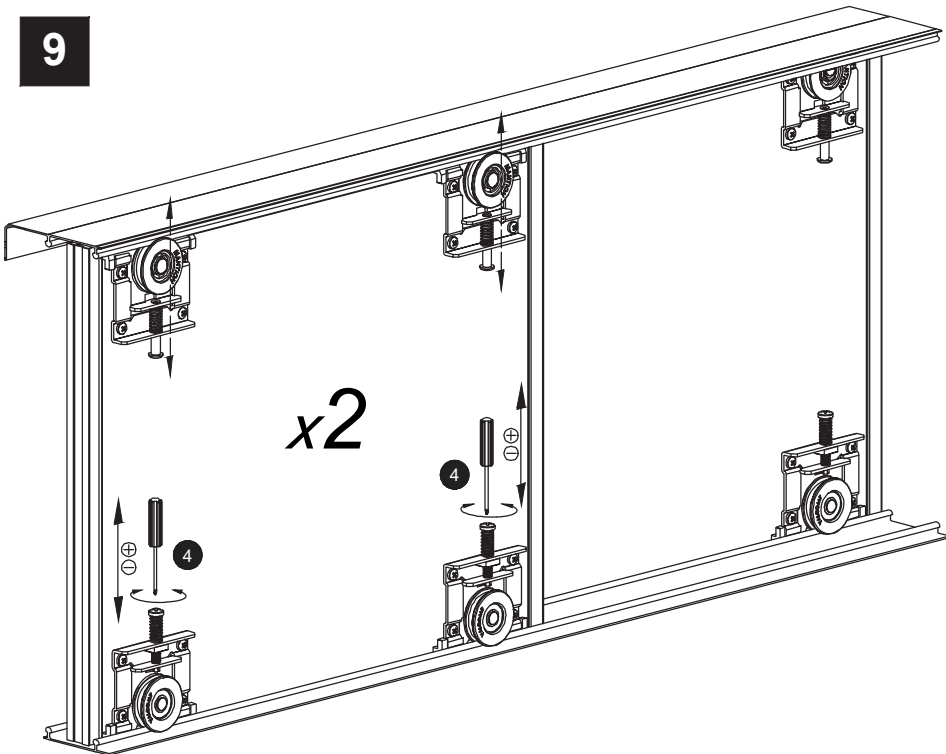
**4a****4b****5**

d [mm]	<500	≥500
n	2	3

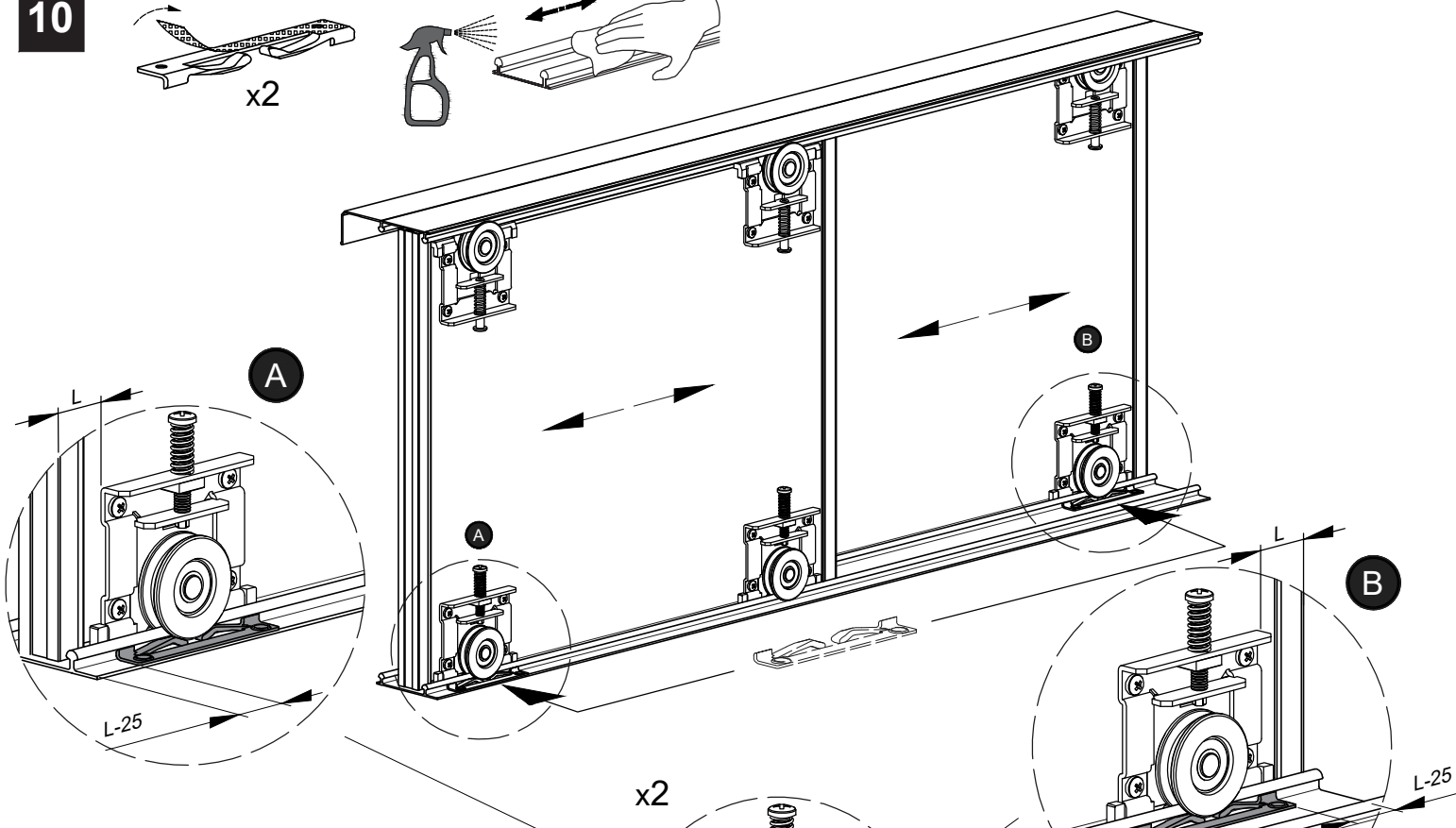
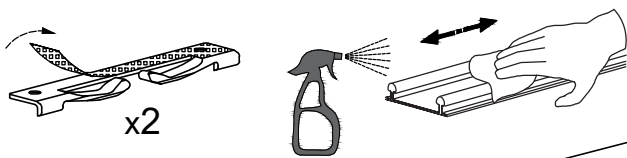
**6****7**



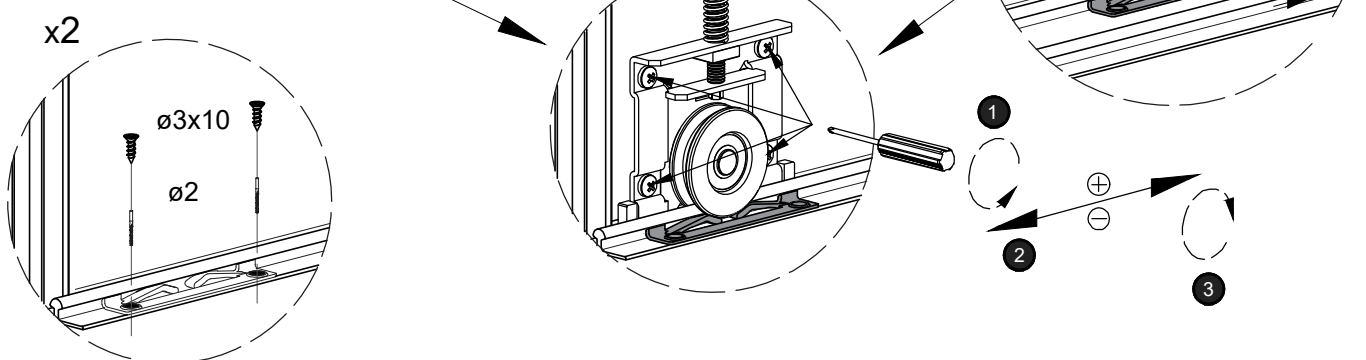
9



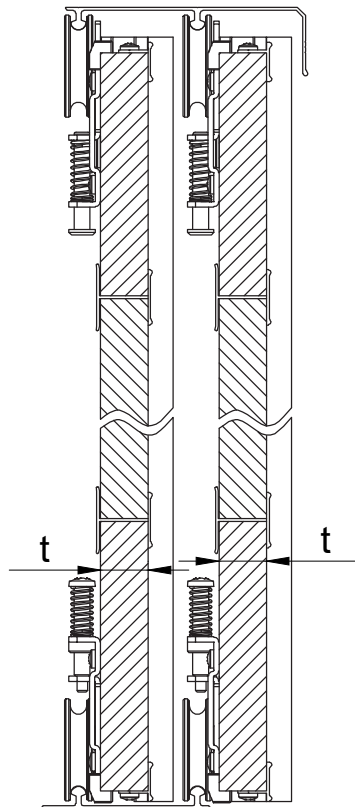
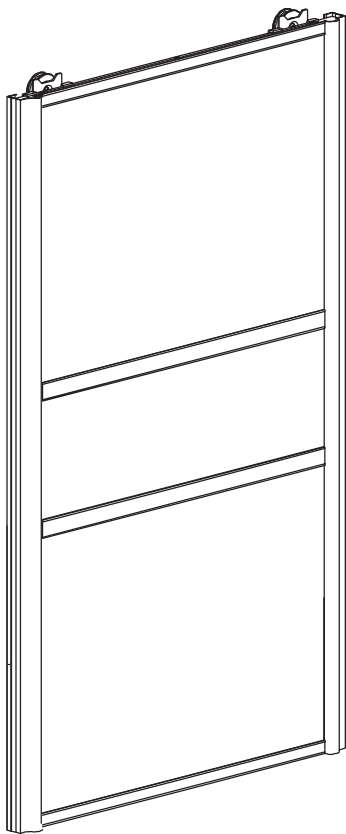
10



11



**a** SU5260 SU5263 SU5314  
 SU5261 SU5264 SU5432  
 SU5262 SU5265 SU5484



SLID'UP	210	220	230
t[mm]	16	18	19

