

**SLID'UP**  
by MANTION

INSTRUCTION DE MONTAGE  
MONTAGEANLEITUNG  
INSTRUCTIONS FOR ASSEMBLY  
INSTRUCCIONES DE MONTAJE  
INSTRUKCJA MONTAŻU

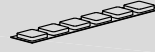
SU5260  
SU5261  
SU5262



x1



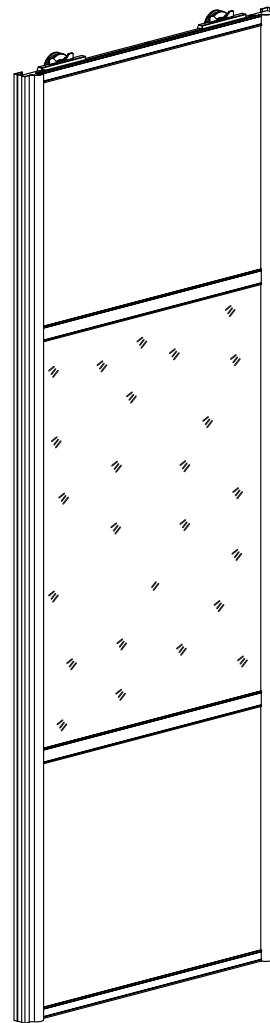
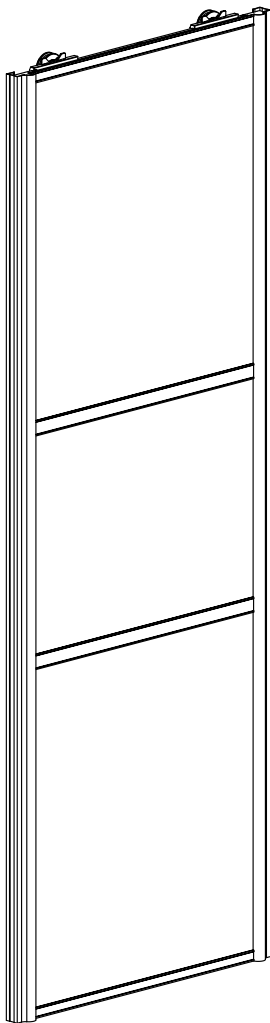
x16



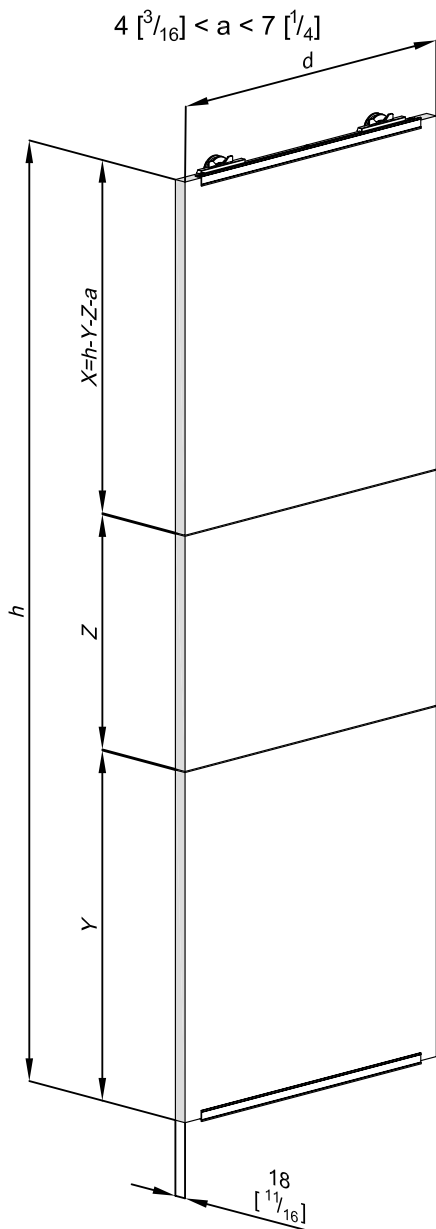
x2



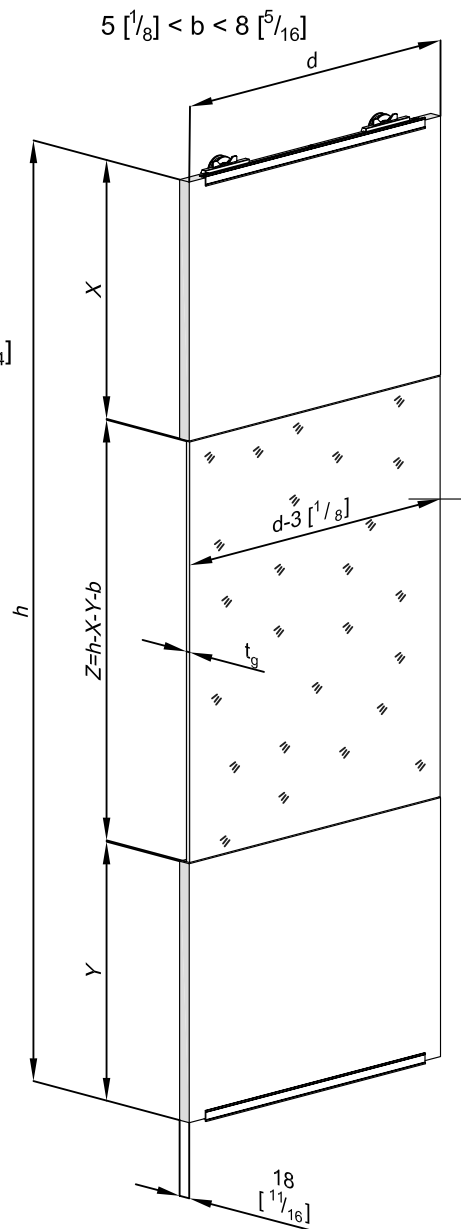
45KG  
100lb



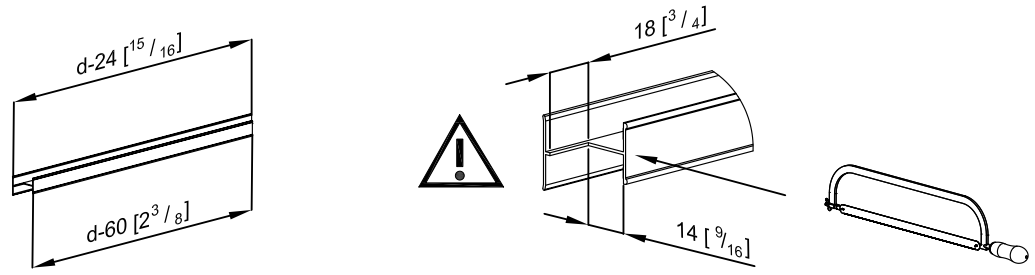
**a**



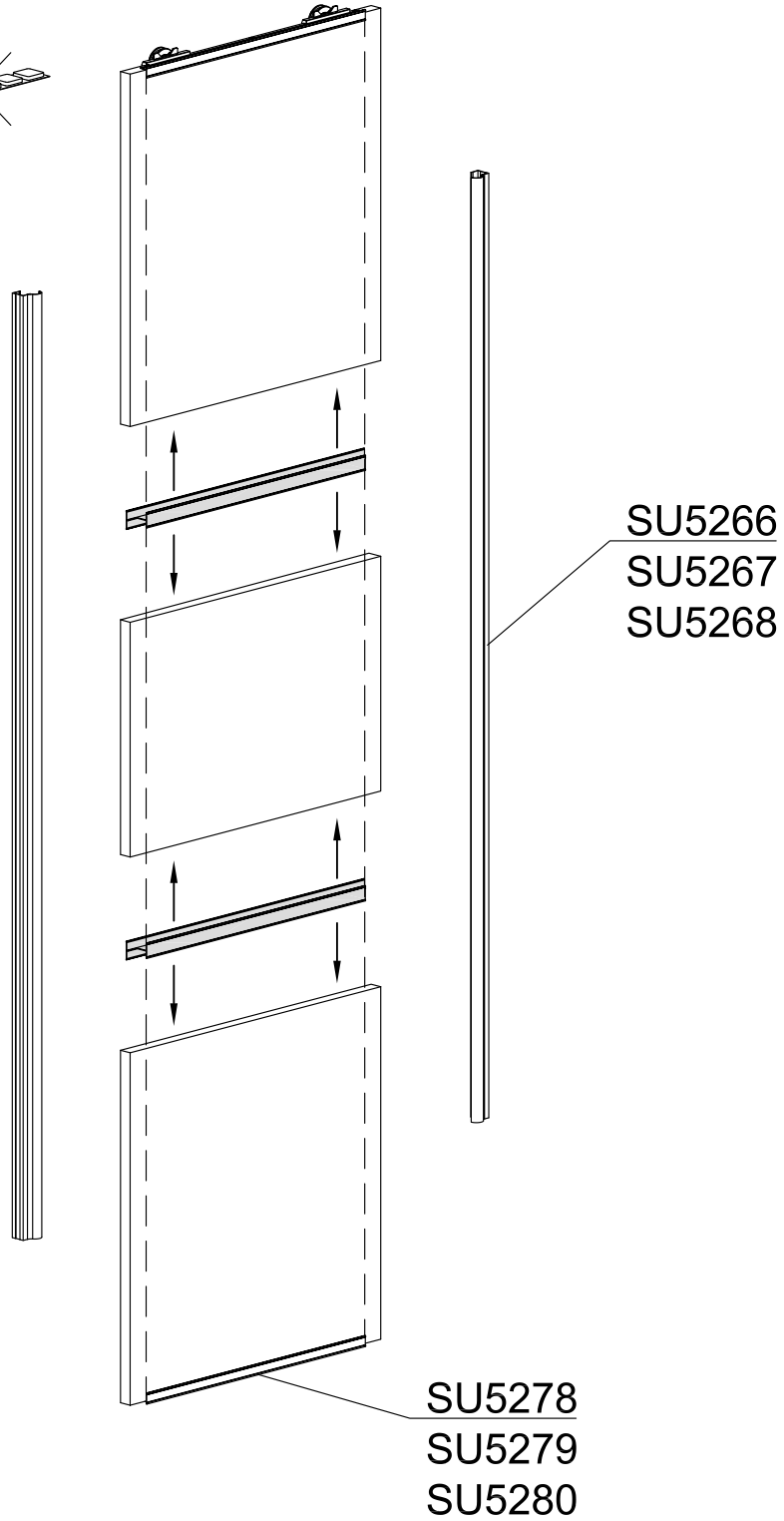
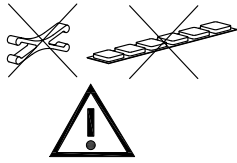
**b**



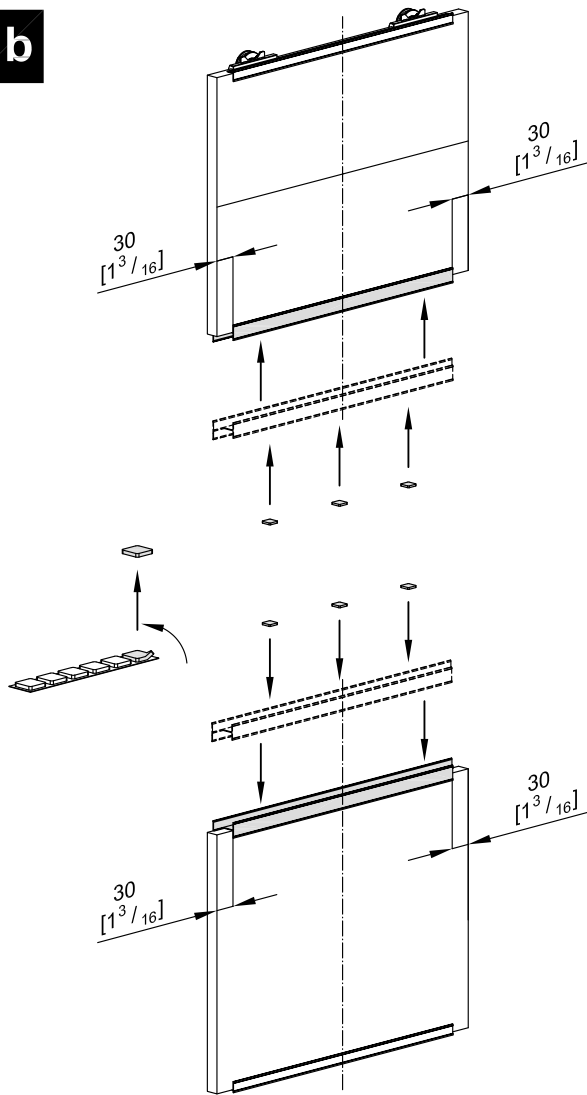
$X, Y > 200$  [8]  
 $4$  [ $\frac{3}{16}$ ]  $< t_g < 6$  [ $\frac{1}{4}$ ]



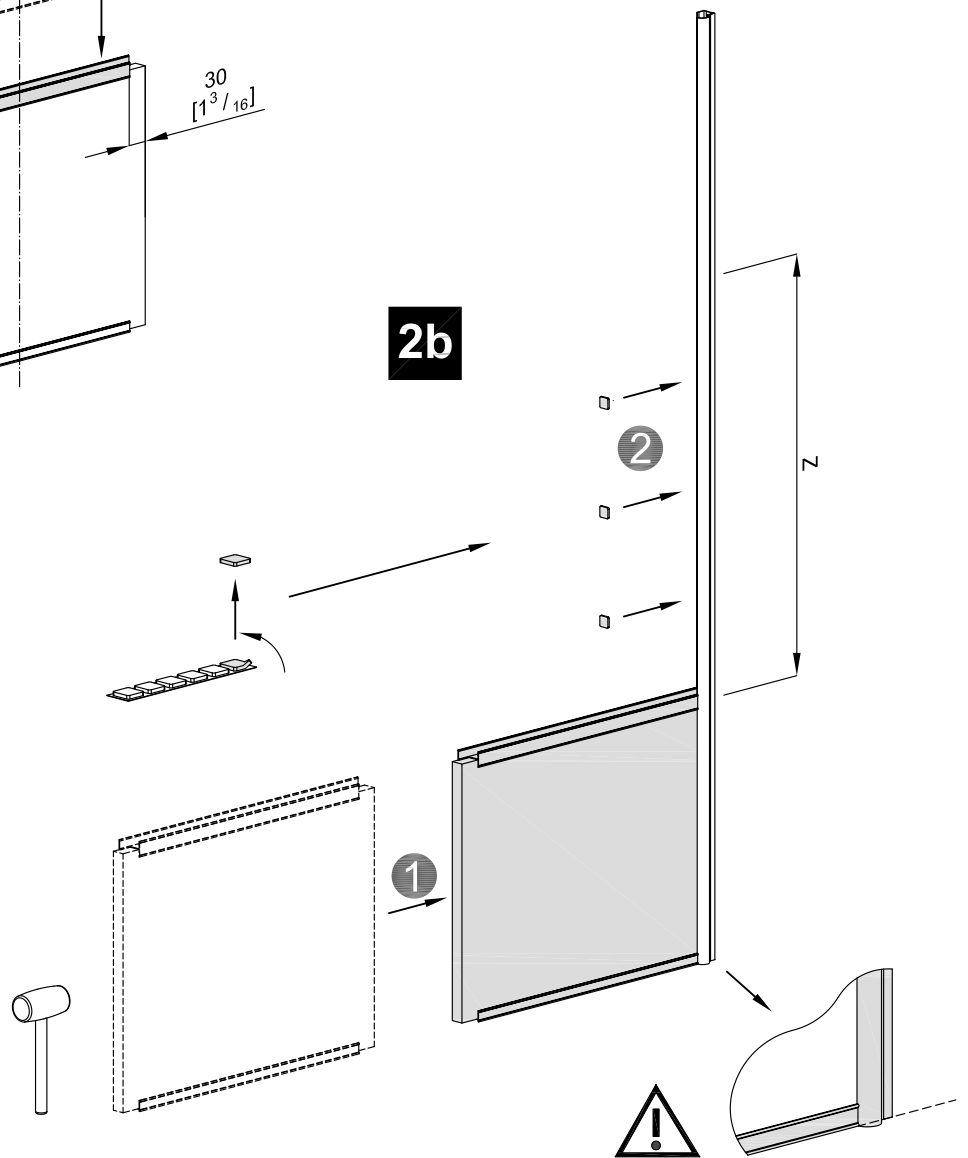
**1a**



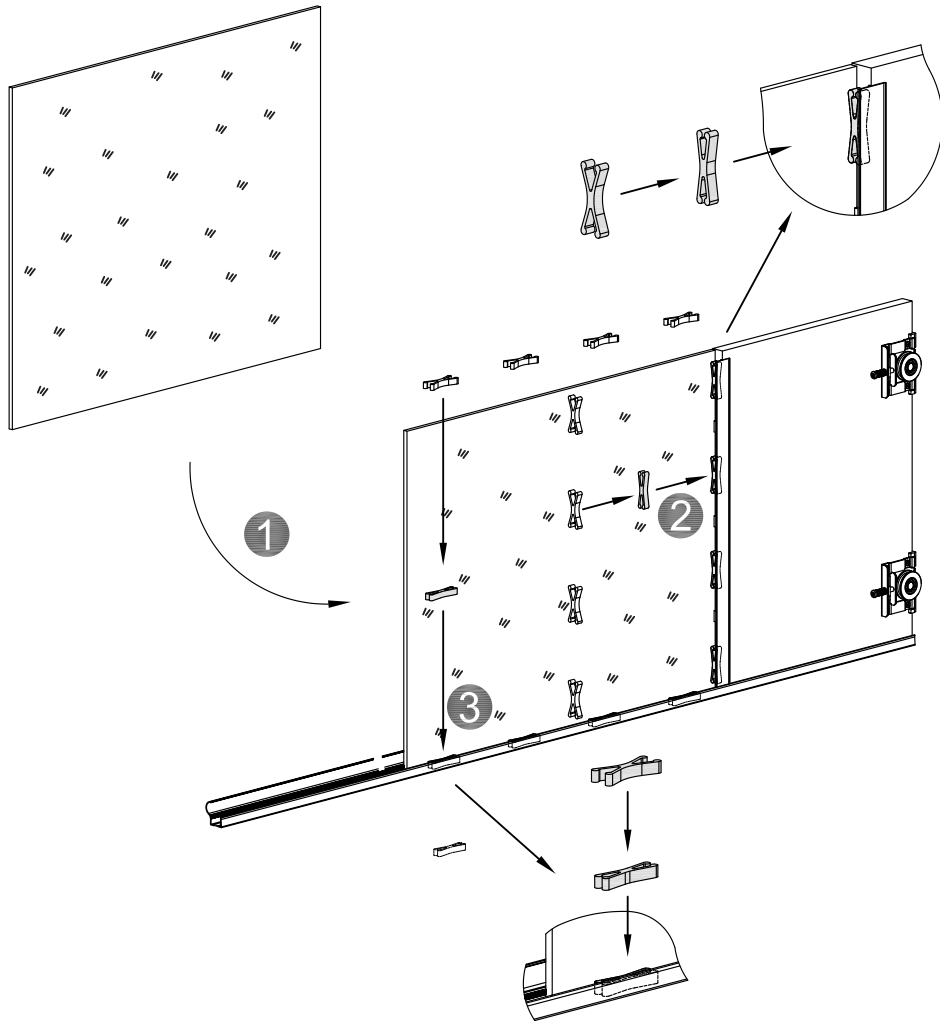
**1b**



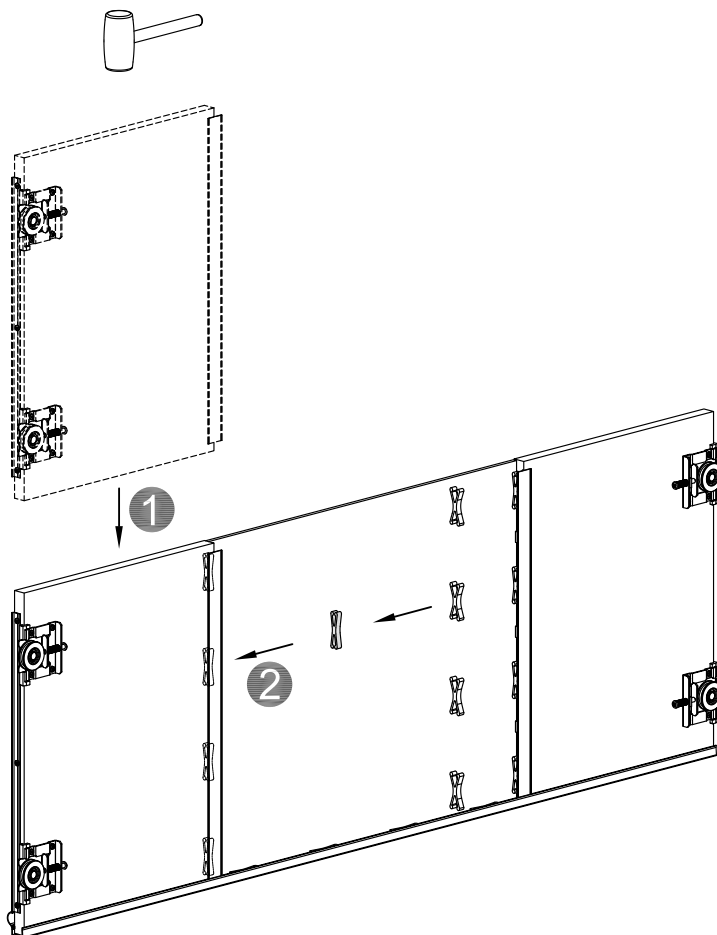
**2b**



**3b**



**4b**



5b

