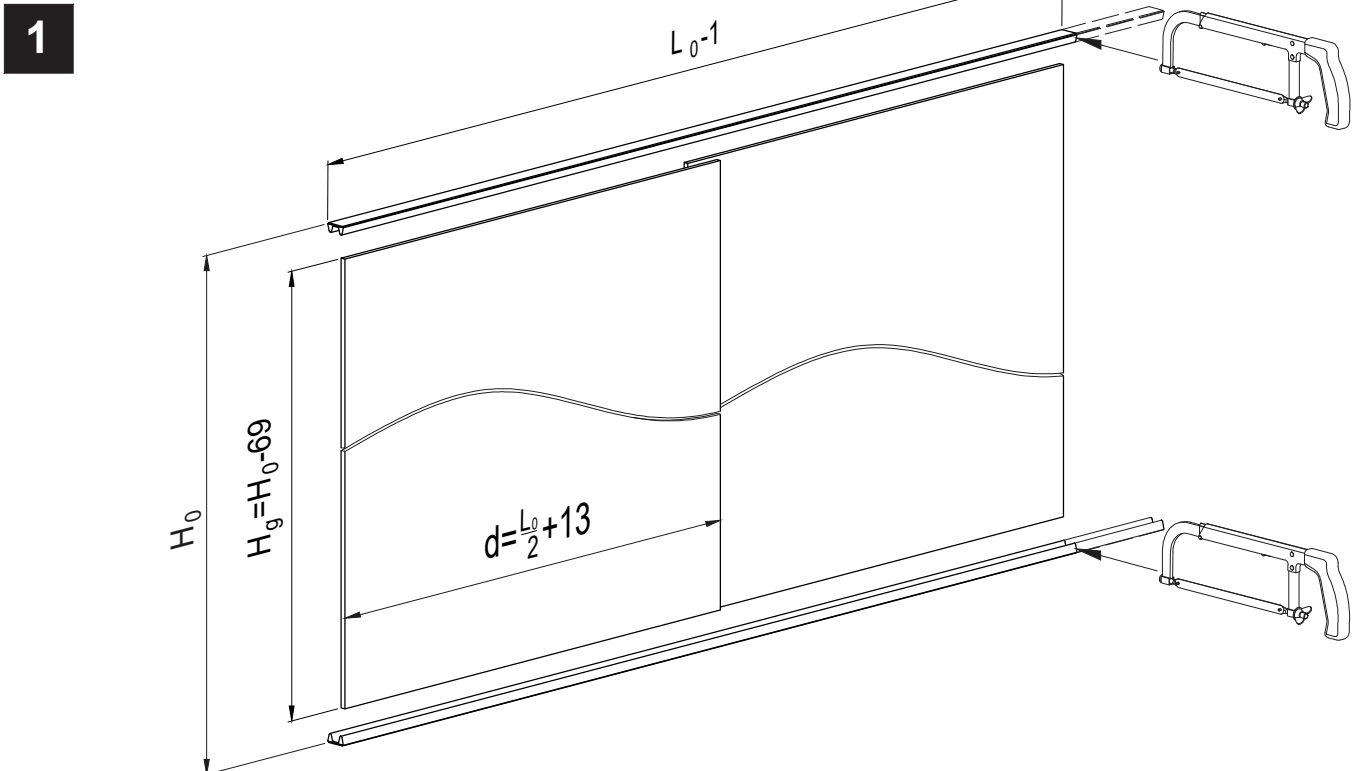
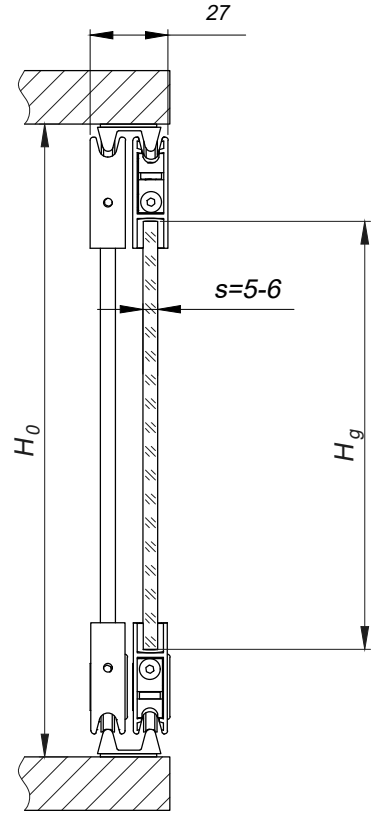
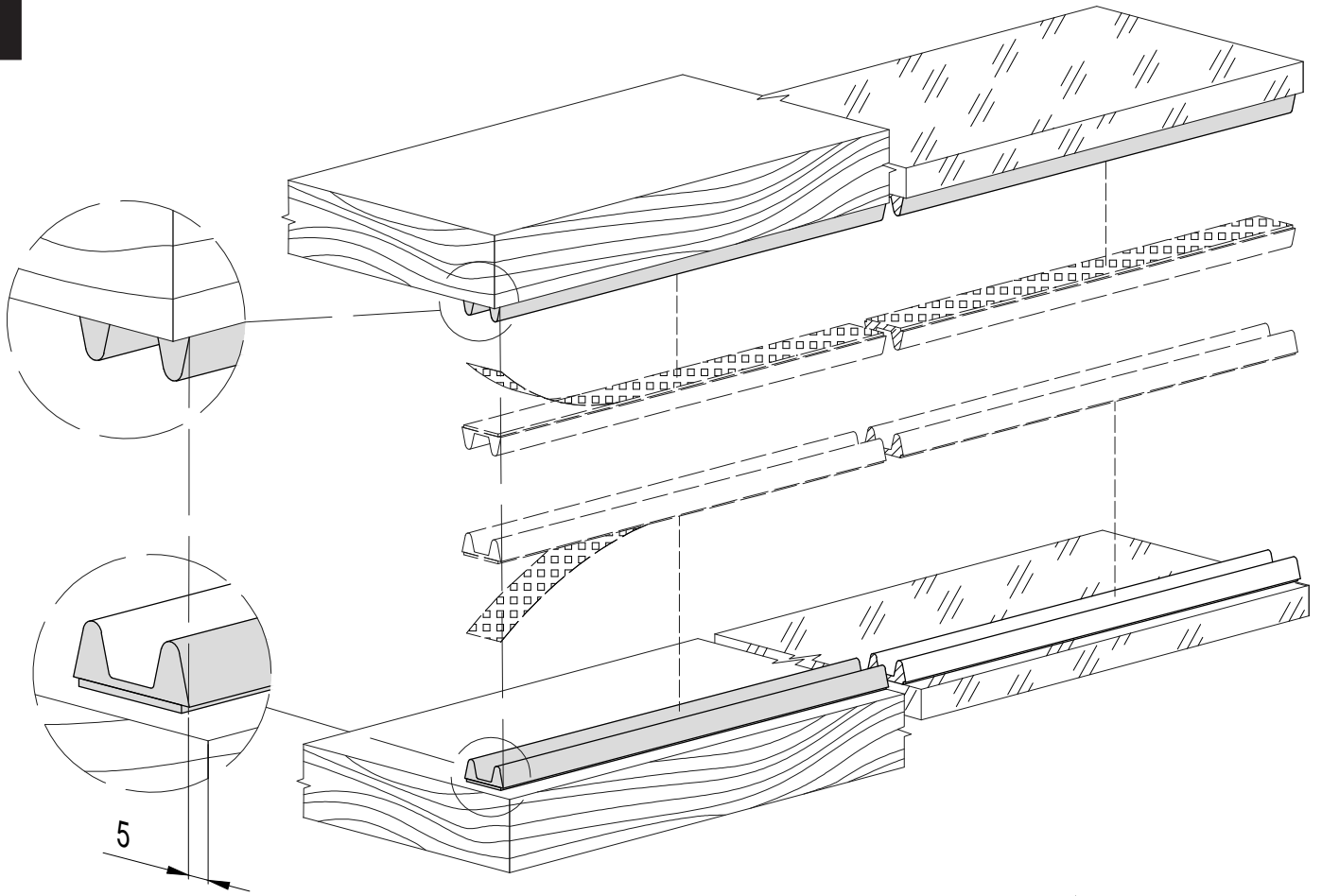


	L_0 [mm]
SU5487	1000
SU5489	
SU5488	2400
SU5490	

L_0 [mm]	x	s=5mm	s=6mm
		H_0 [mm]	
1000	x	1200	1500
1200	x	1050	1275
1500	x	850	1025
1800	x	720	875
2000	x	650	800
2200	x	600	725
2400	x	550	650

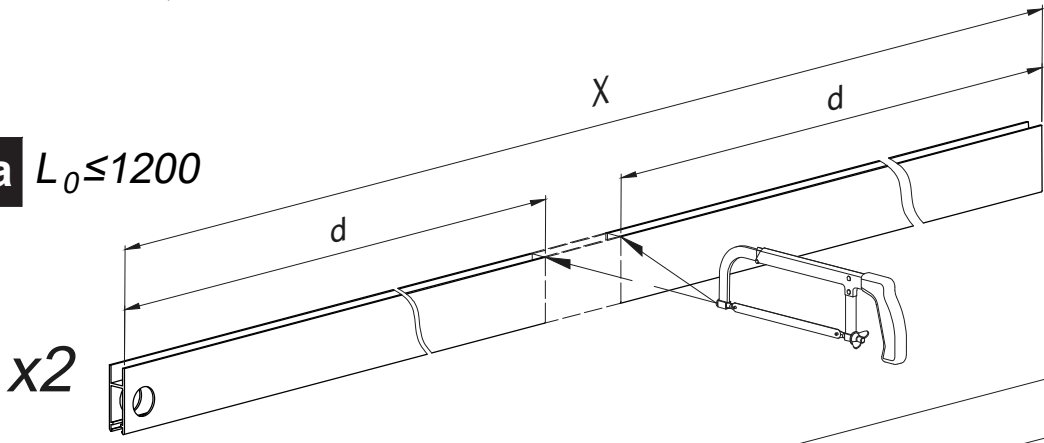


2

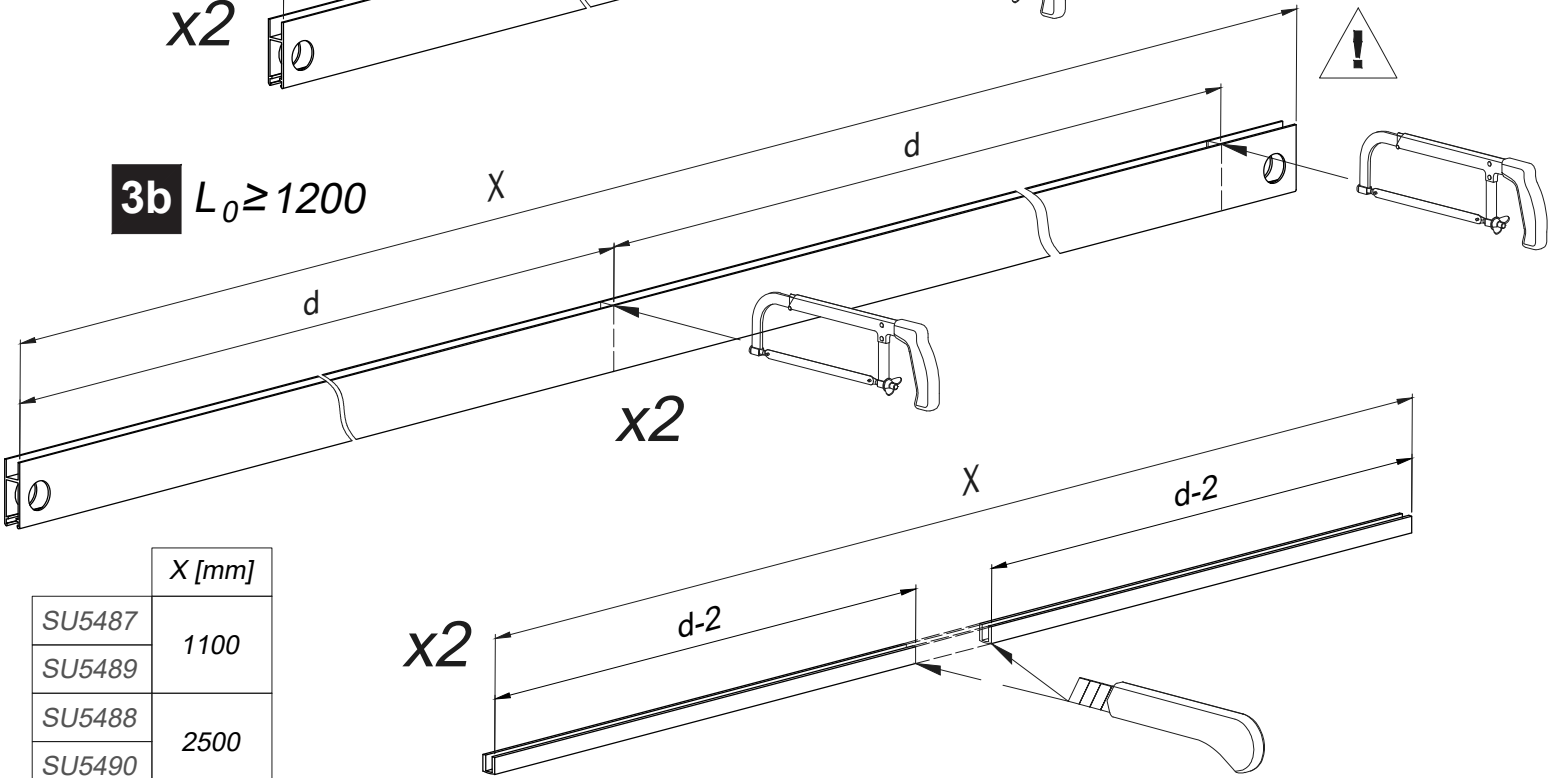


3

3a $L_0 \leq 1200$

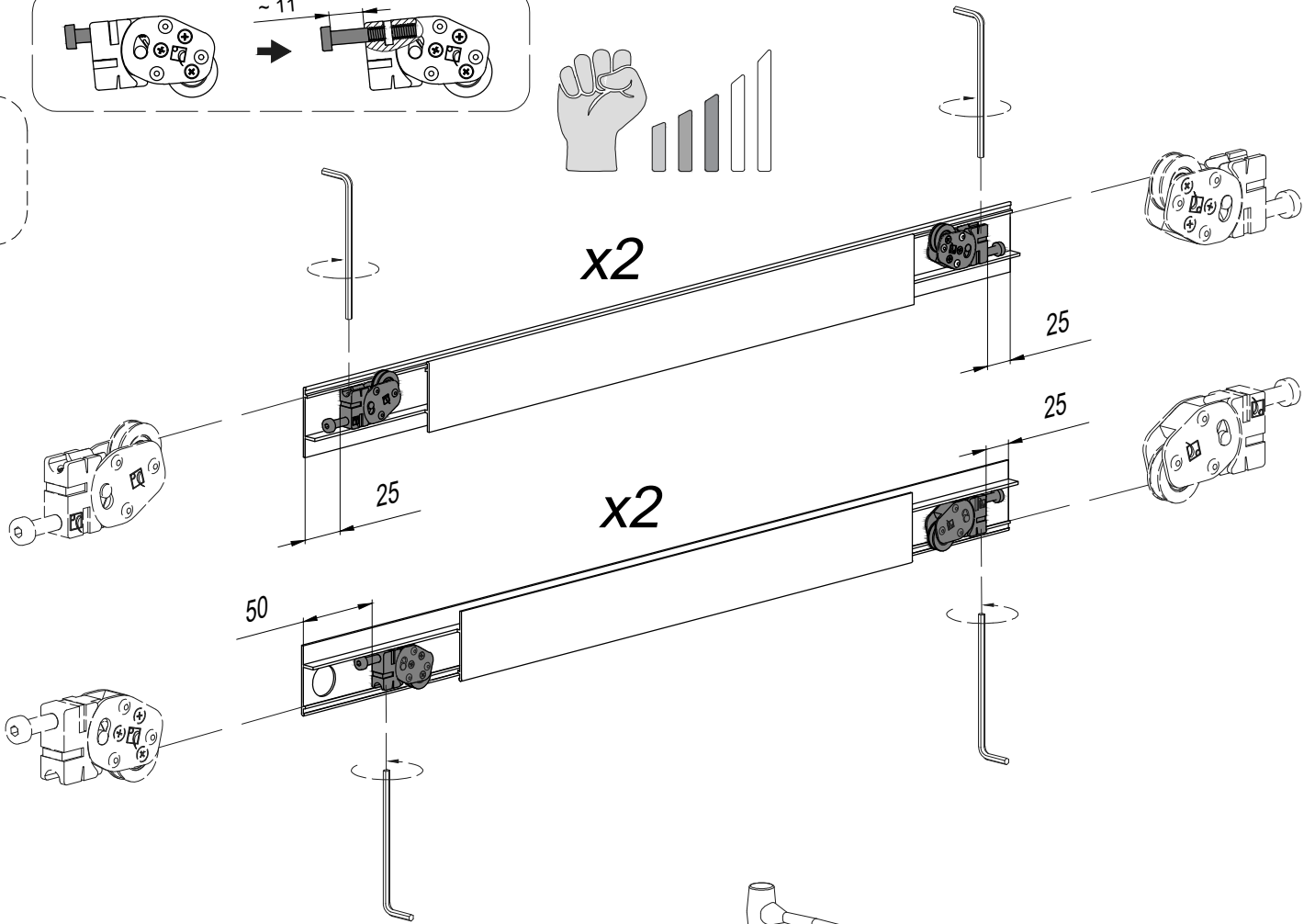
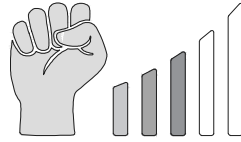
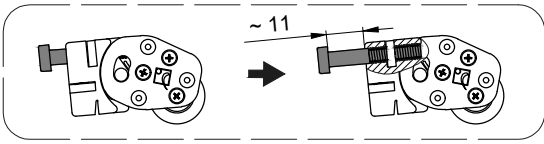
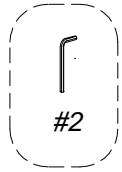


3b $L_0 \geq 1200$

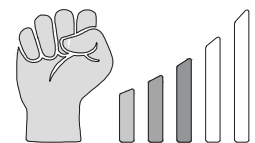
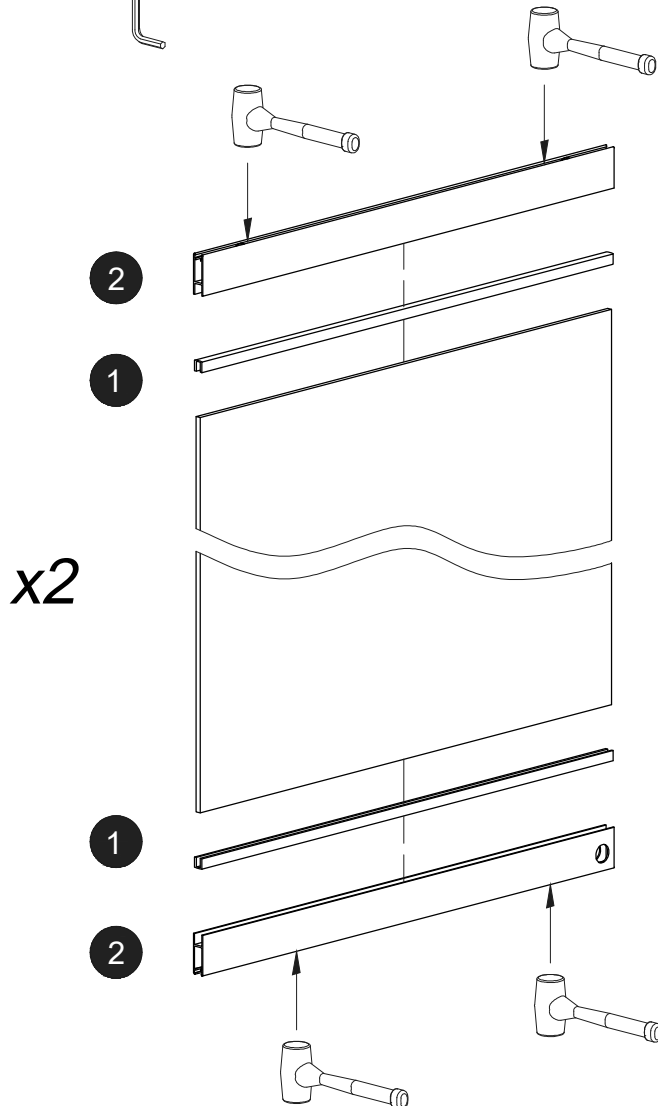


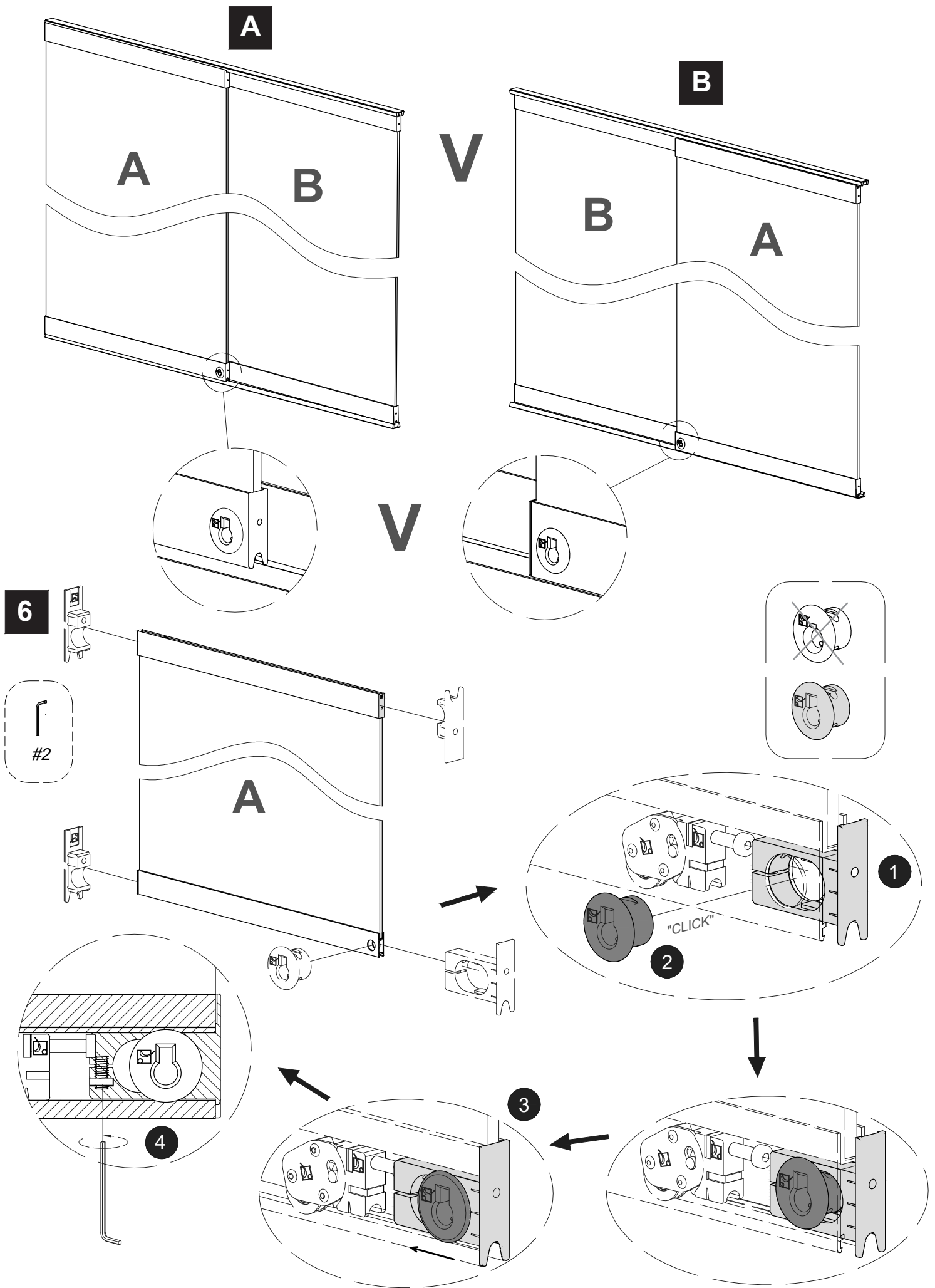
	X [mm]
SU5487	1100
SU5489	1100
SU5488	2500
SU5490	2500

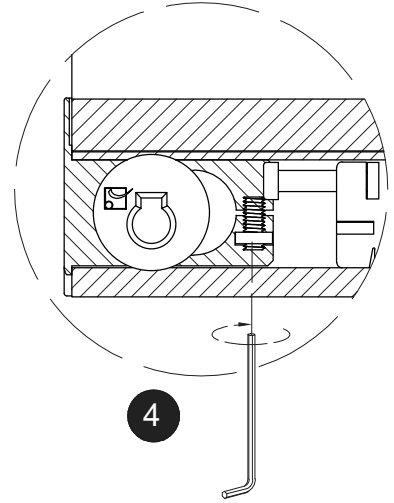
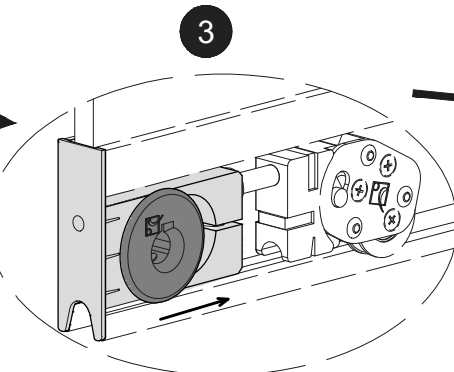
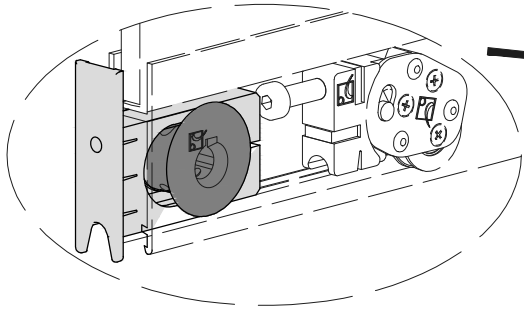
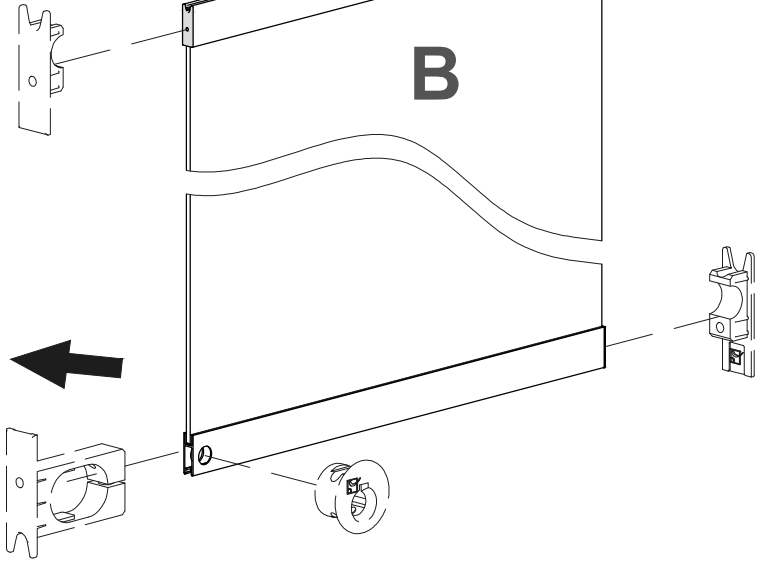
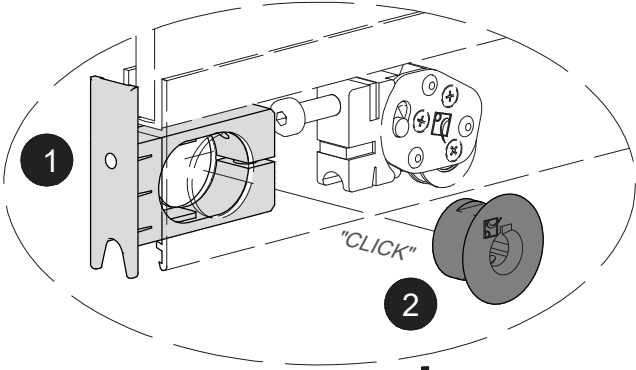
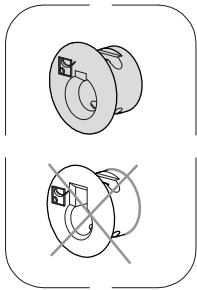
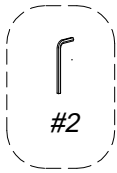
4



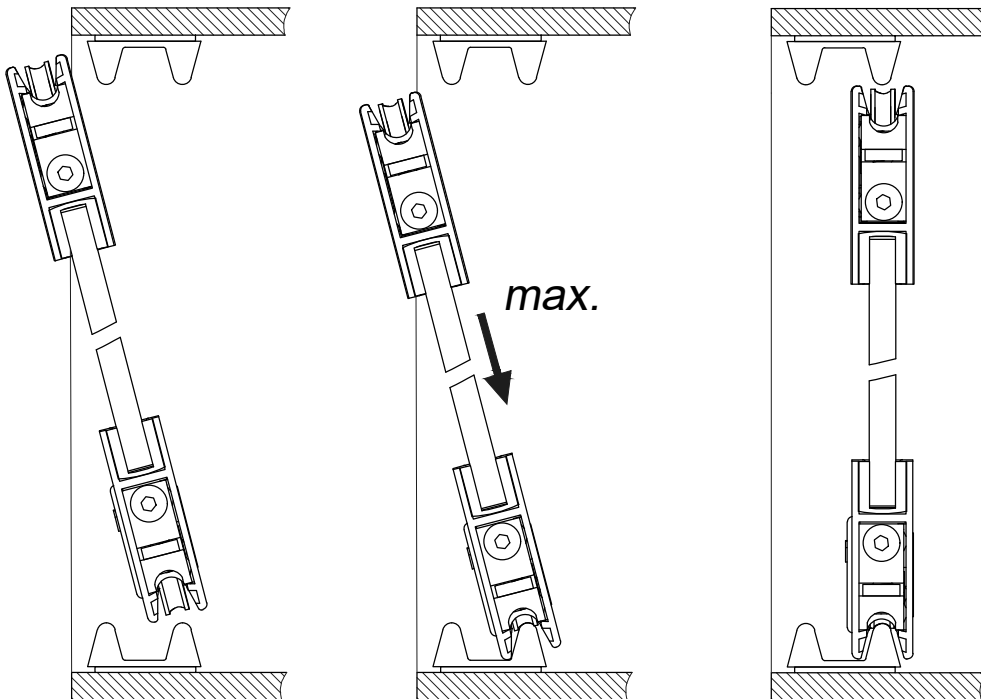
5

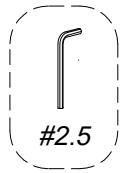




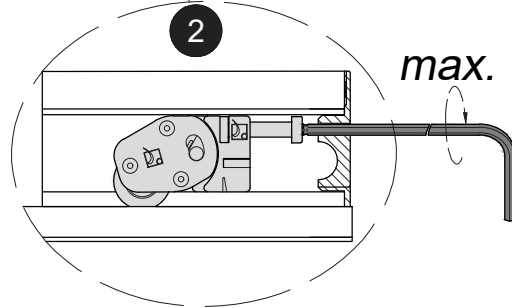
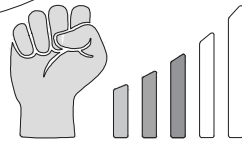
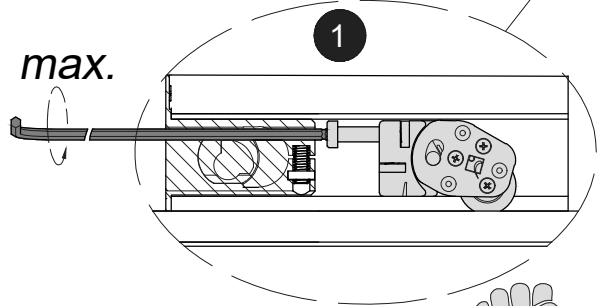
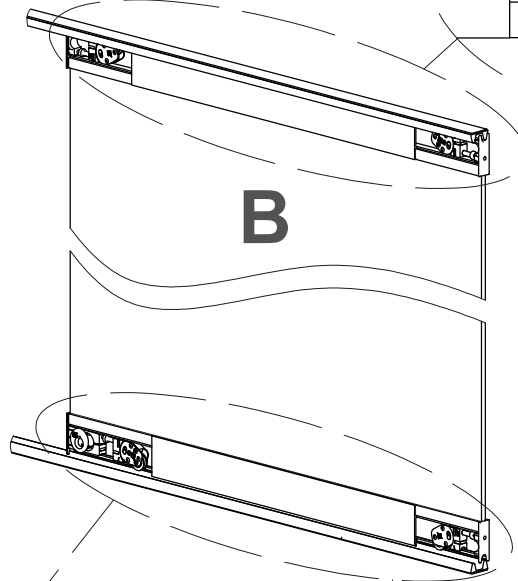
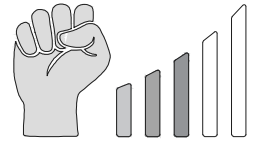
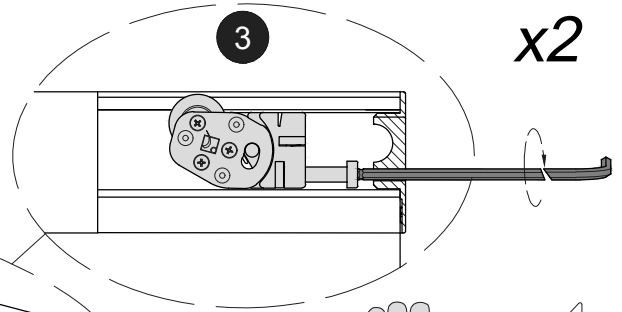
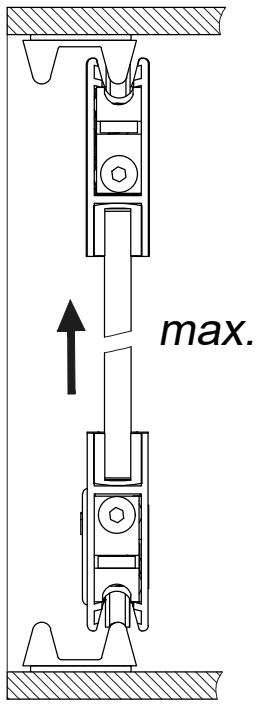


8

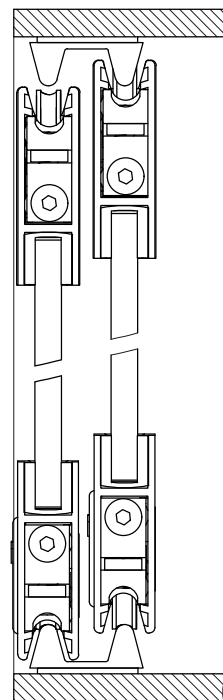
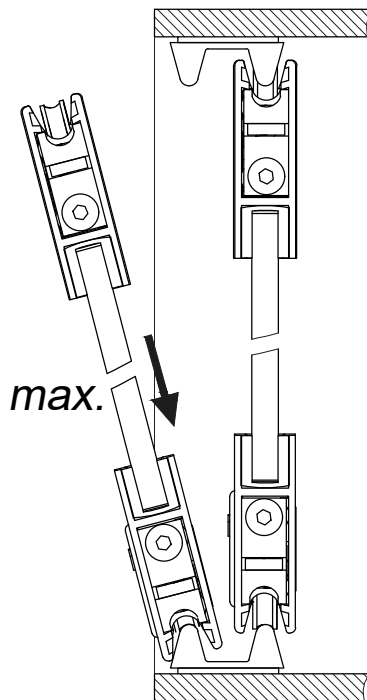
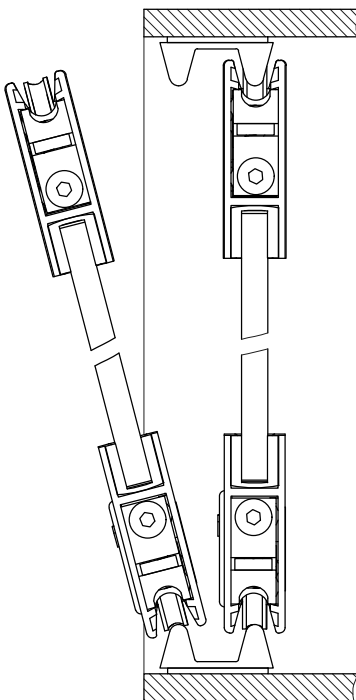


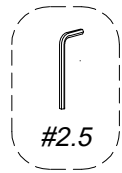


#2.5



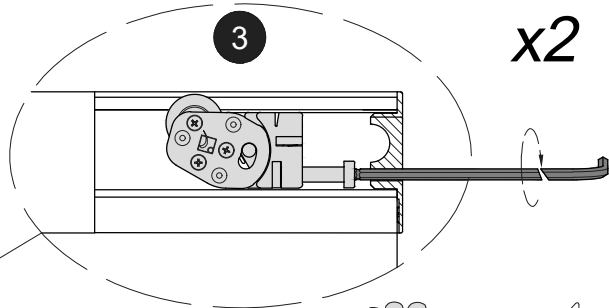
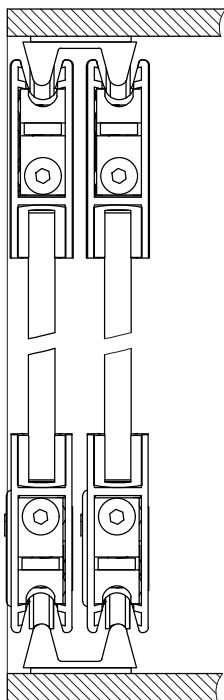
9





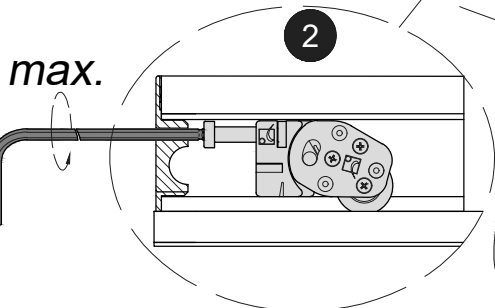
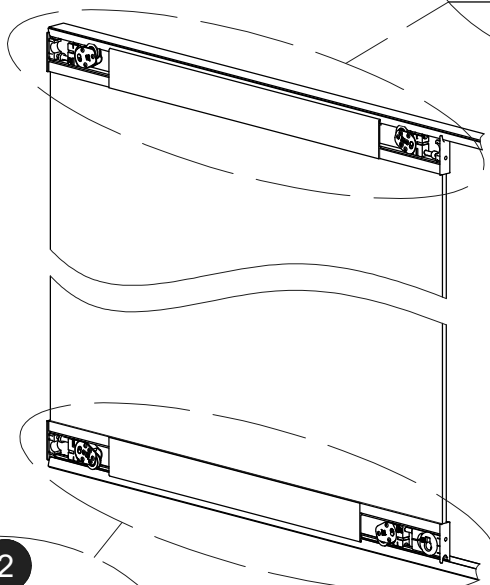
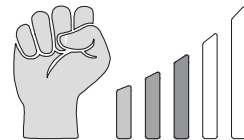
#2.5

↑
max.



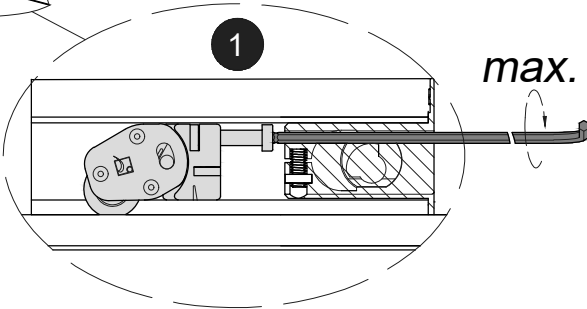
3

x2



2

max.



1

max.

10

