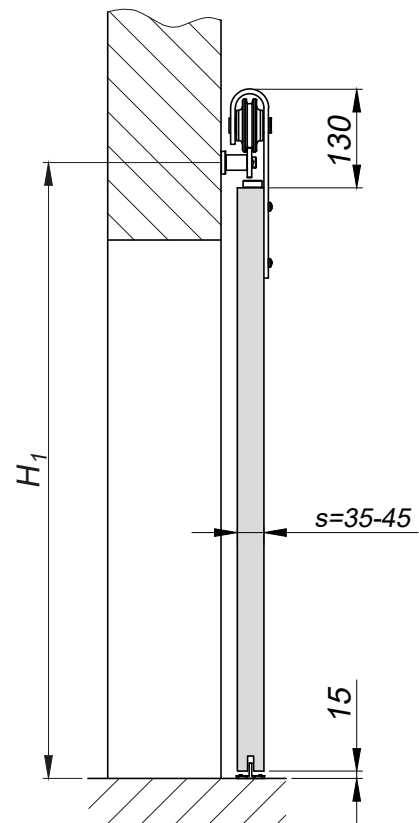
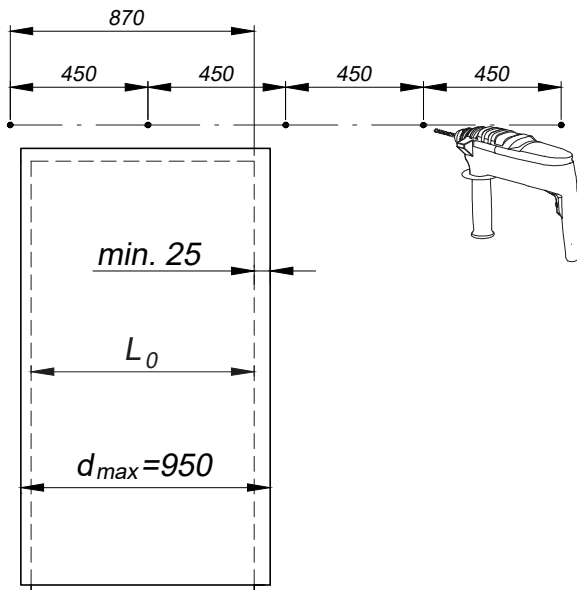
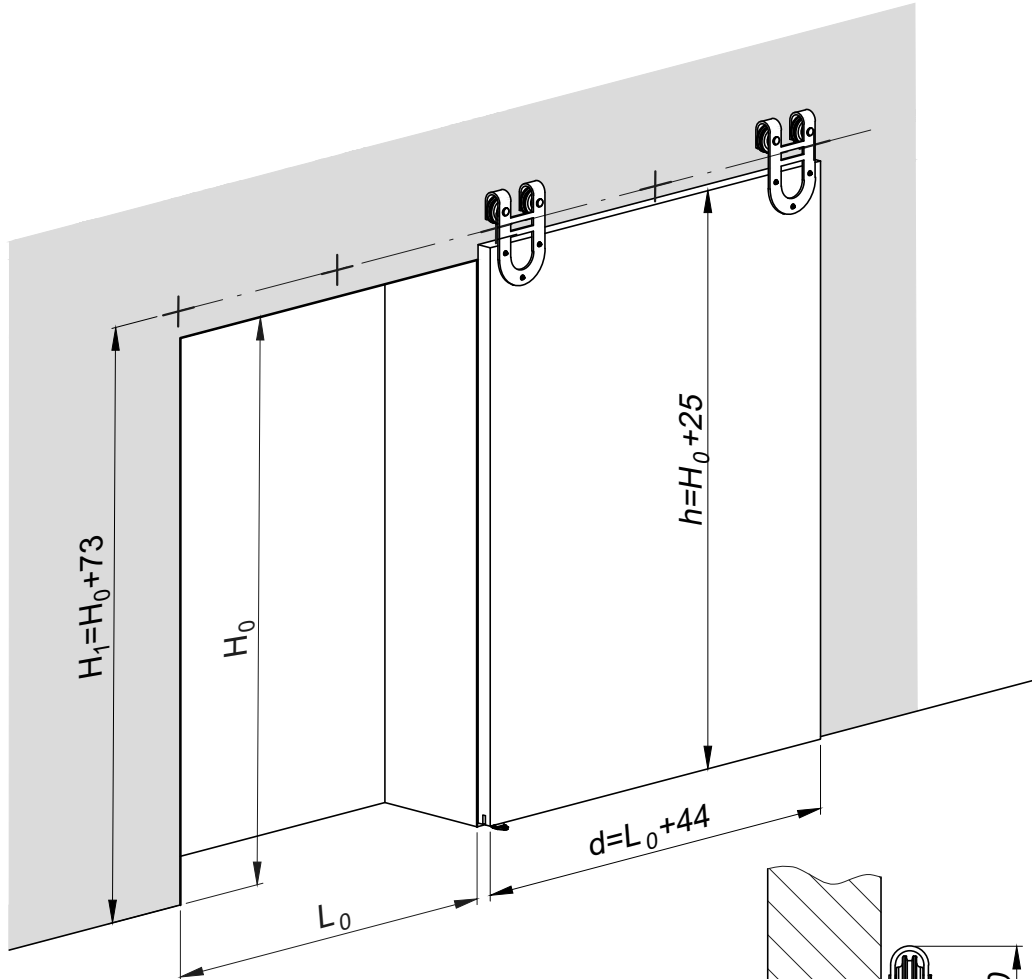
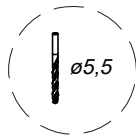
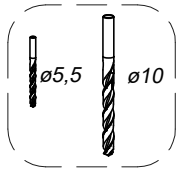


1



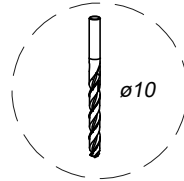
2



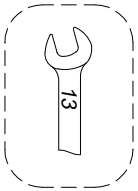
B



C



3



1

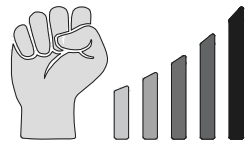
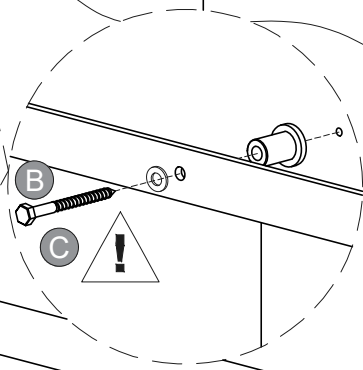
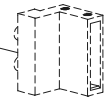


$d < 930$



1

2

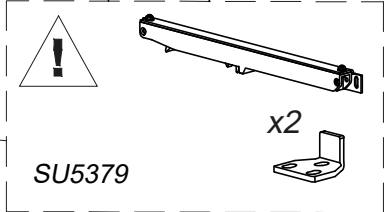
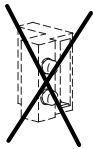


$d \geq 930$

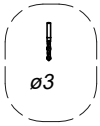


1

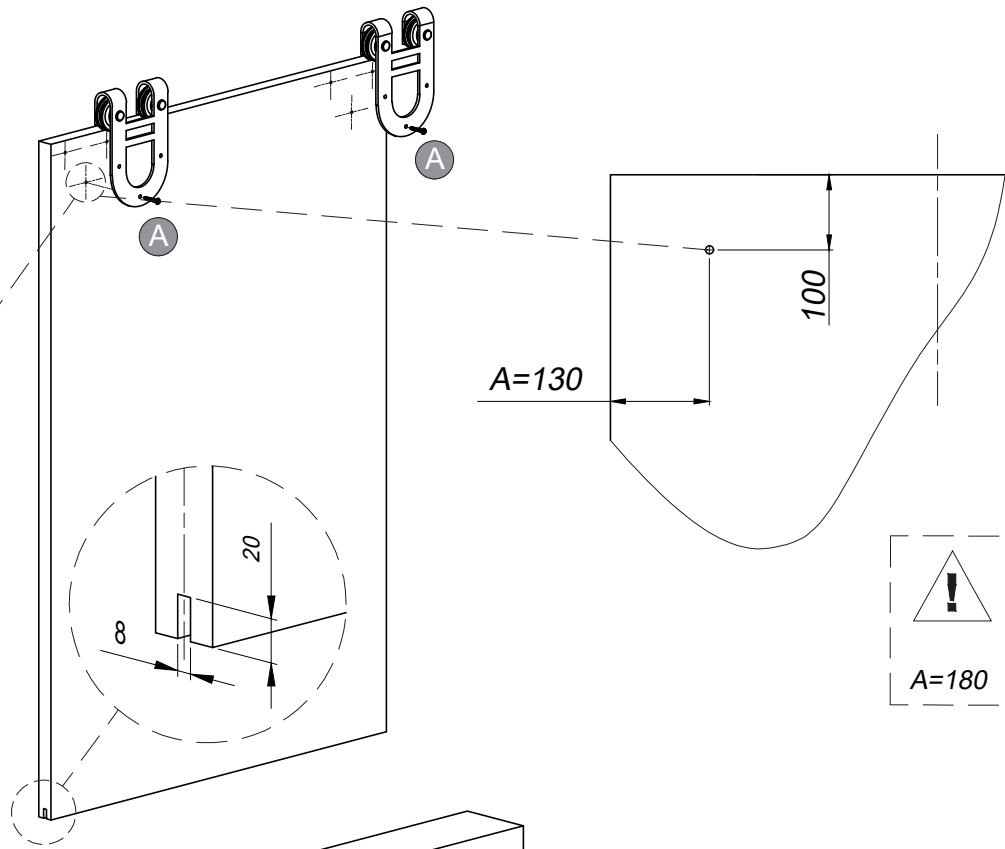
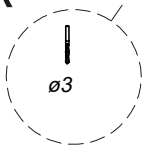
2



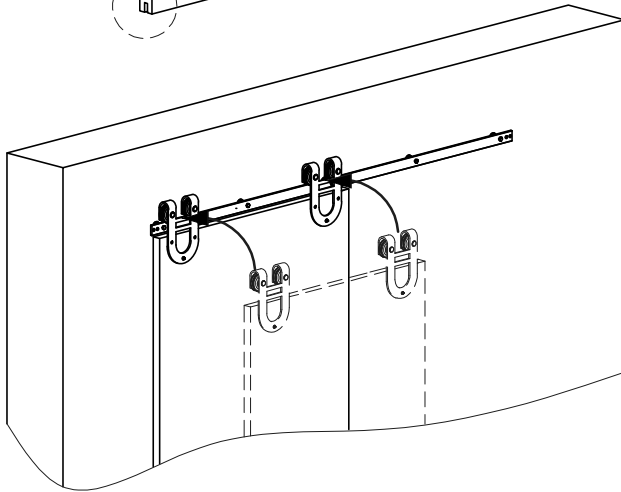
4



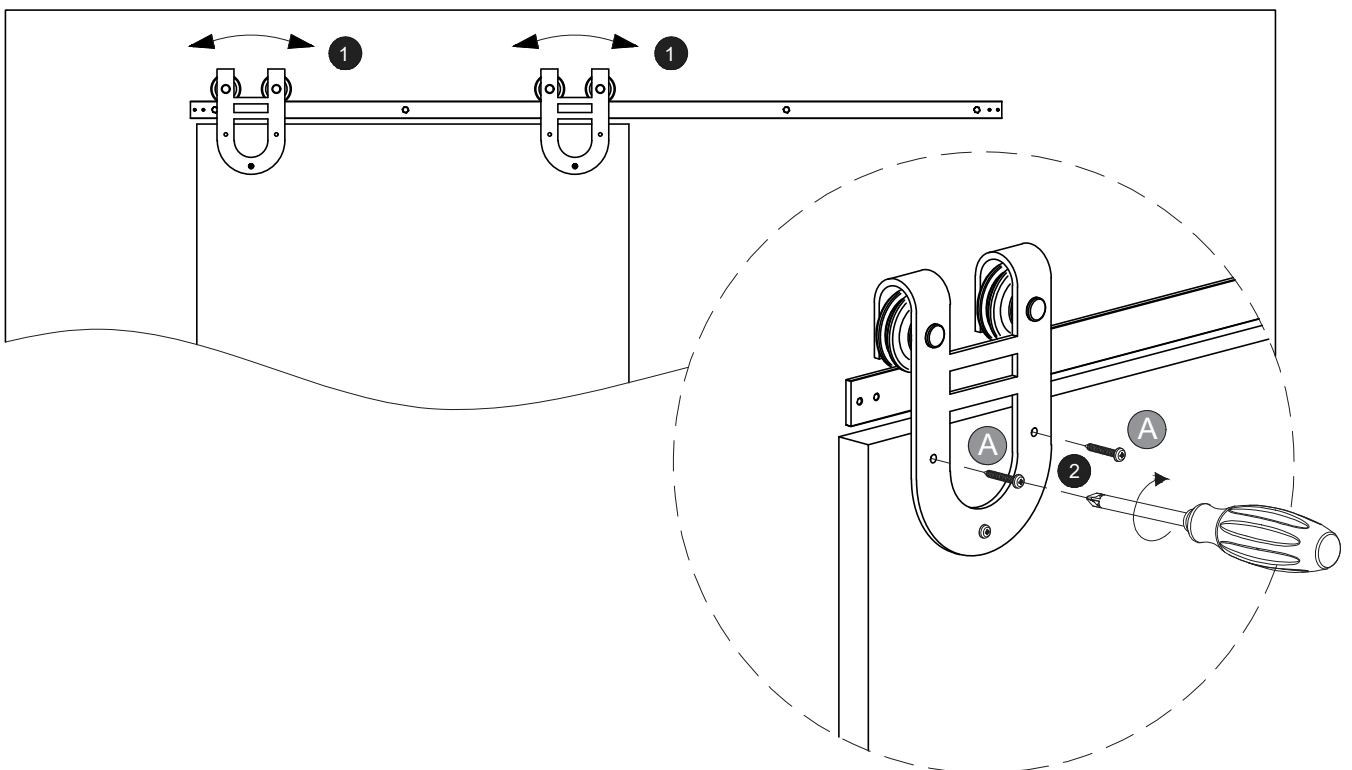
2x



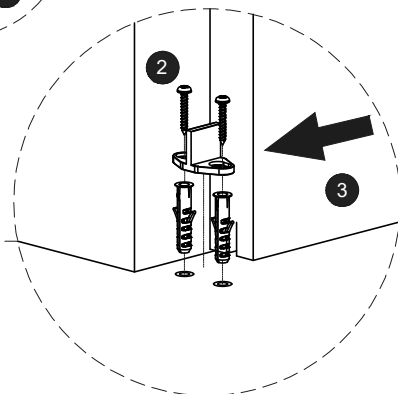
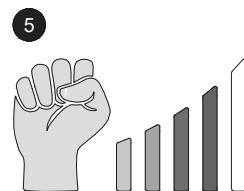
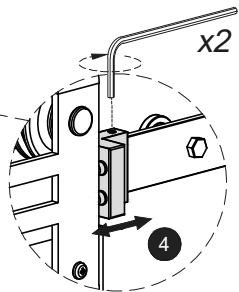
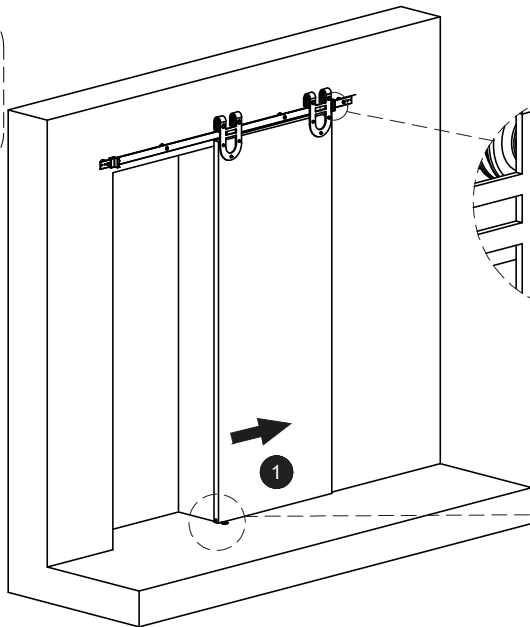
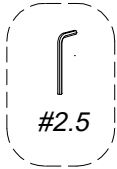
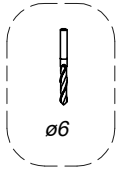
5



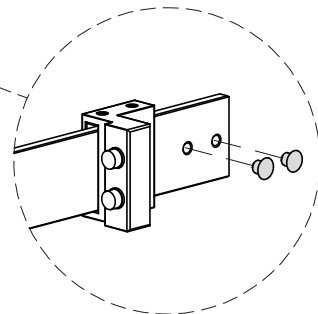
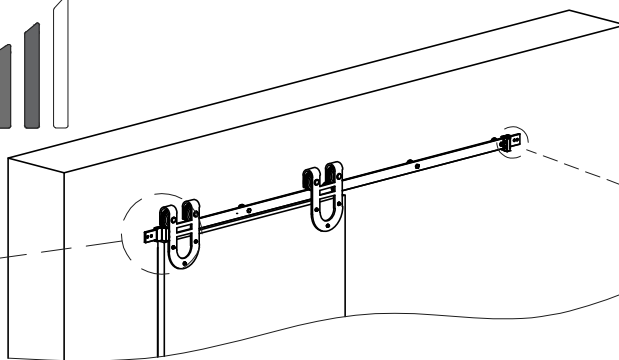
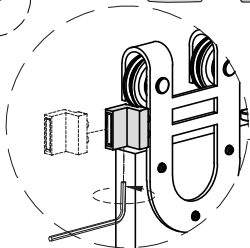
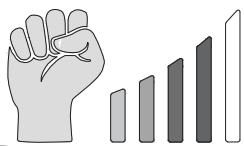
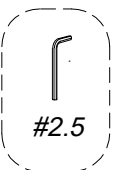
6



7



7



8

