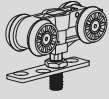
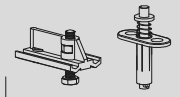


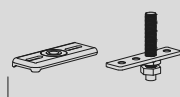
x1



x2



x2



x2

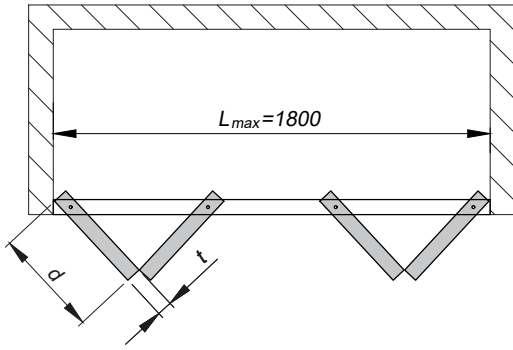


x6

A x34
 B x4

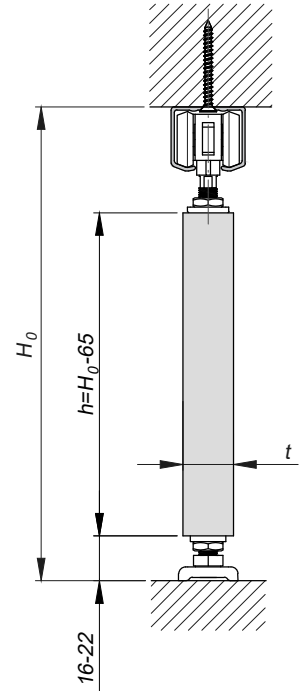
C x18

25 kg

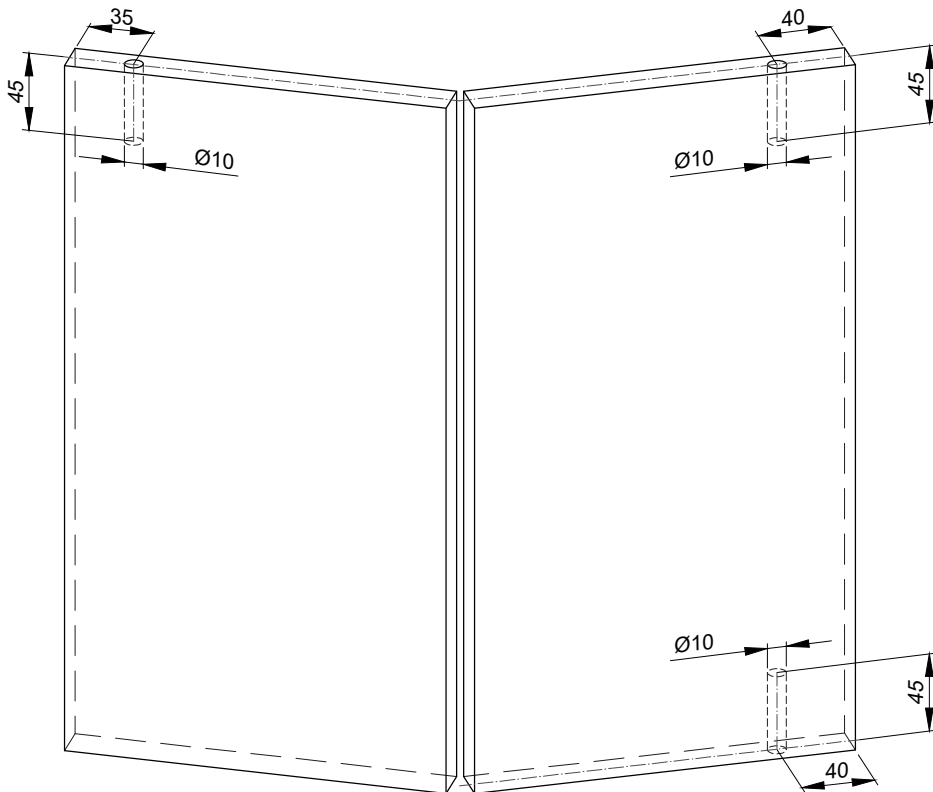
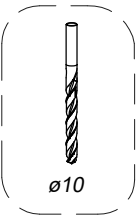


t [mm]	<22	22	25	28	32	40
x [mm]	0	3	4	4	6	6

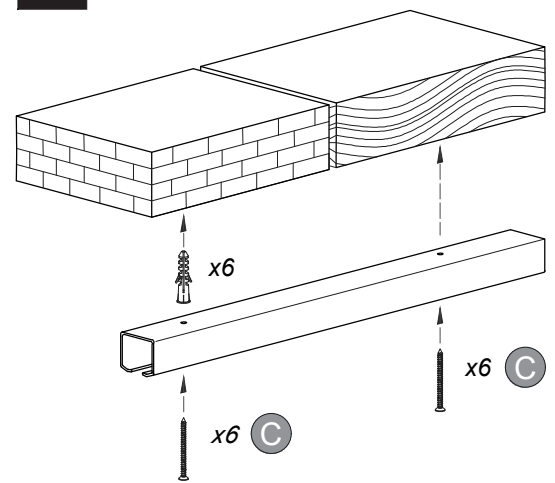
$$d = \frac{L - 2x - 8}{4}$$



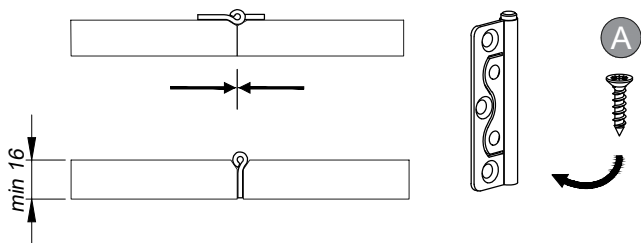
1



2



3



4

