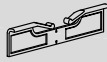




x2



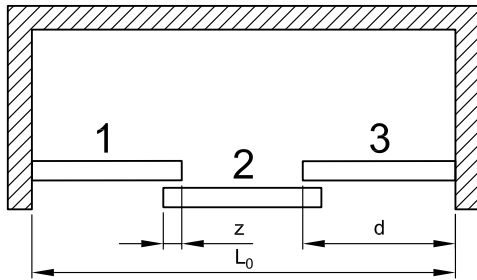
x1



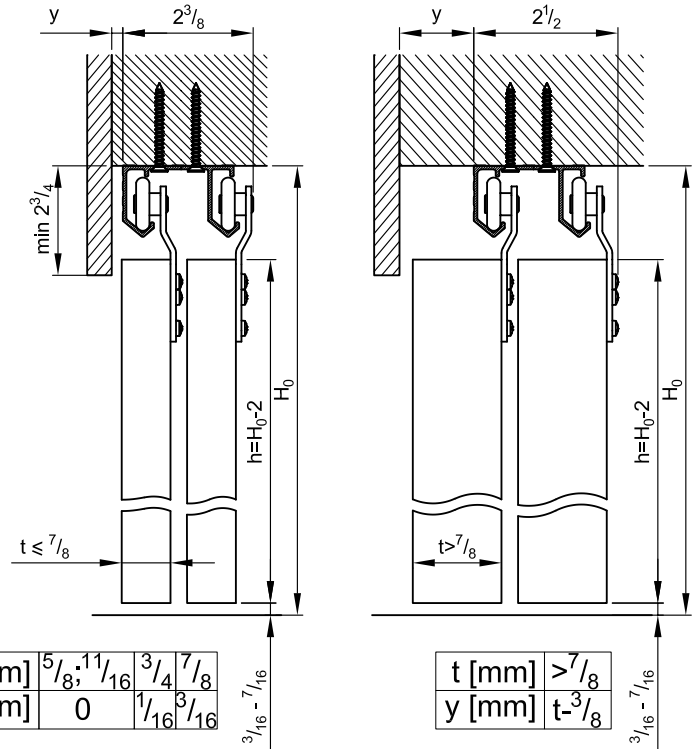
x1



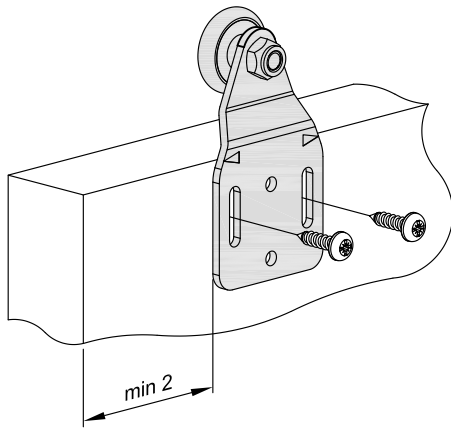
100  
lb



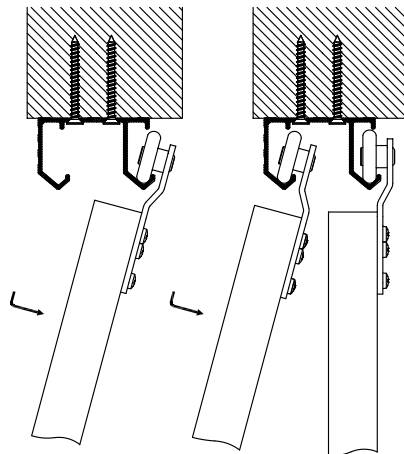
$$d = (L_0 + 2z) / 3$$



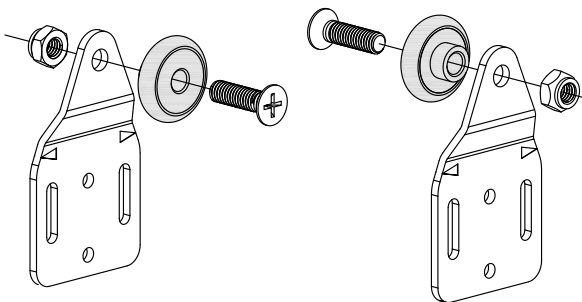
1

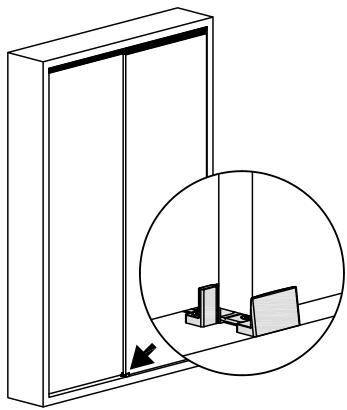
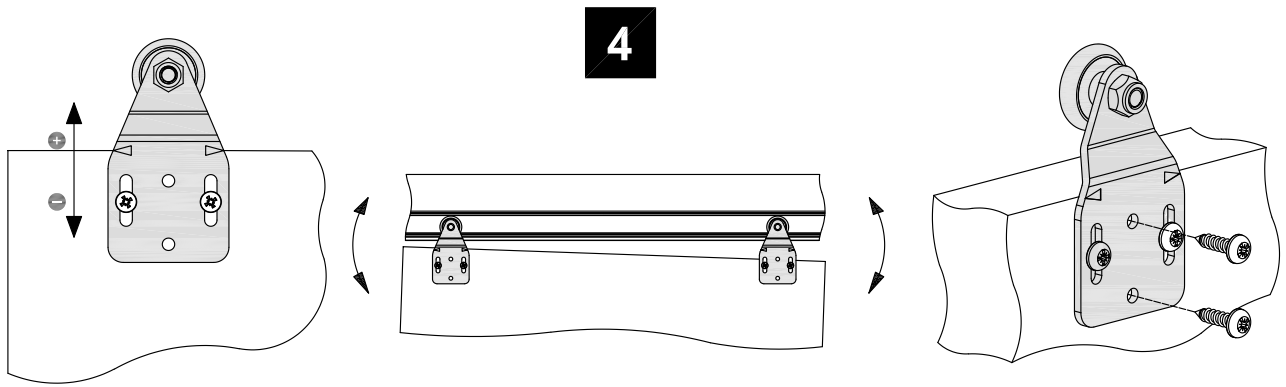


2

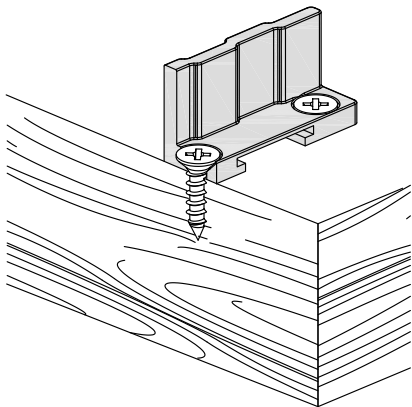
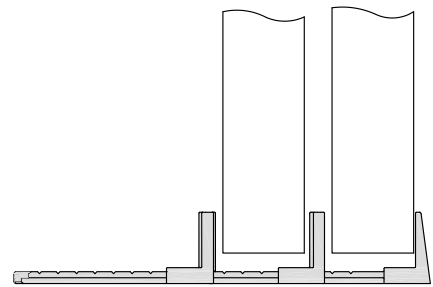


3

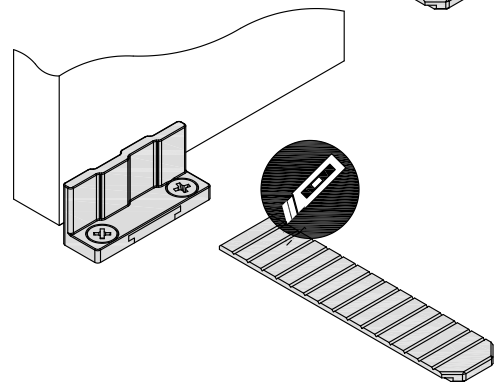
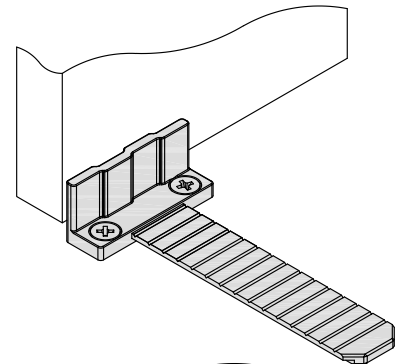




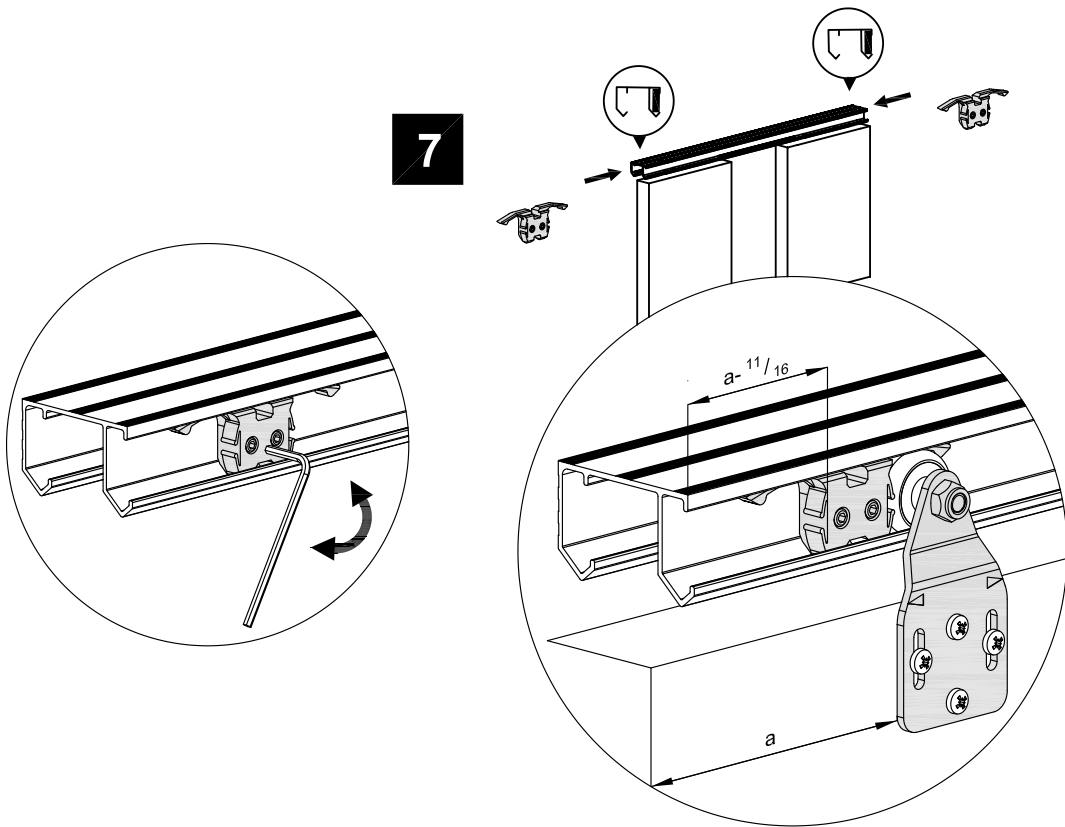
**5**



**6**



7



8

