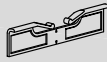




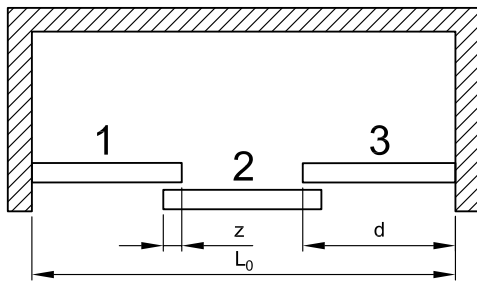
x2



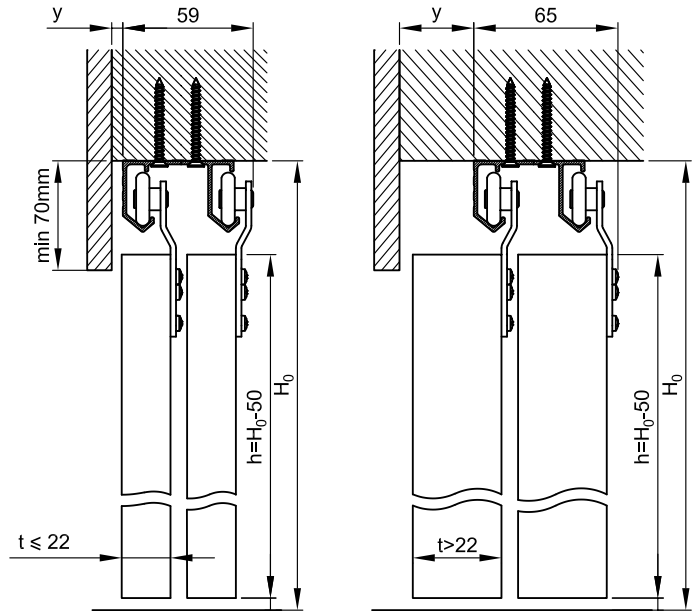
x1



x1



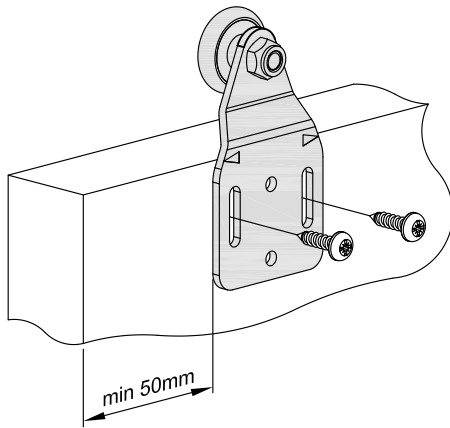
$$d = (L_0 + 2z) / 3$$



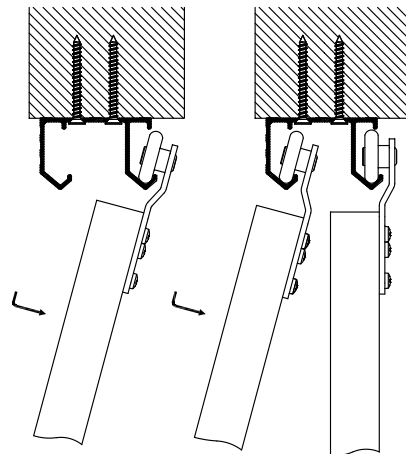
t [mm]	16;18	19	22
y [mm]	0	1	4

t [mm]	>22
y [mm]	t-9

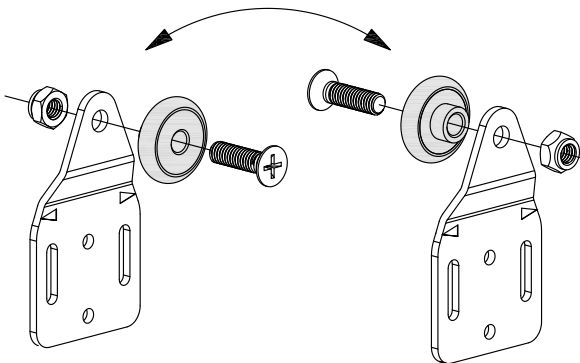
1

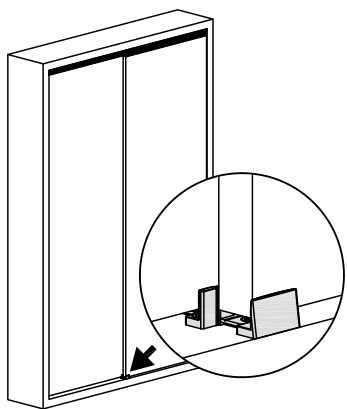
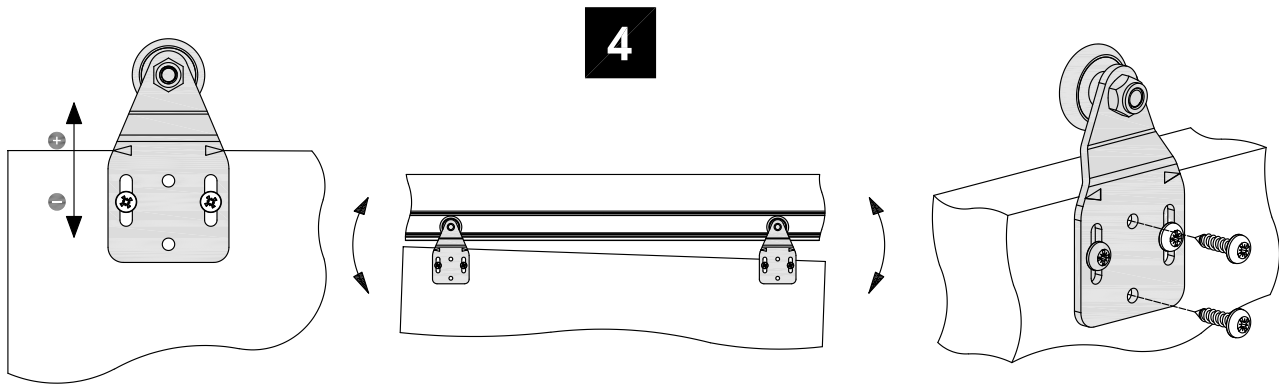


2

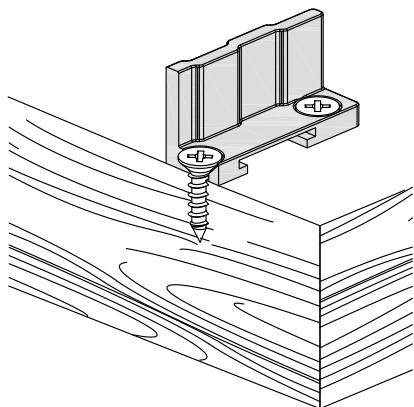
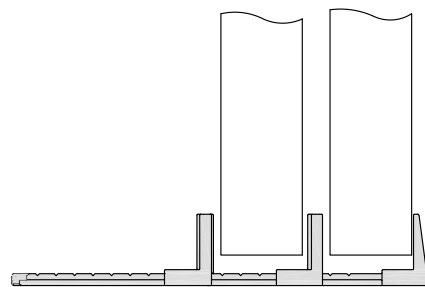


3

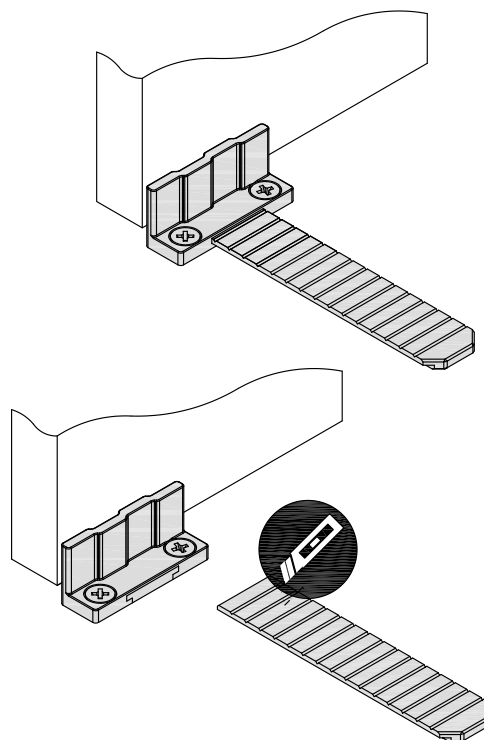




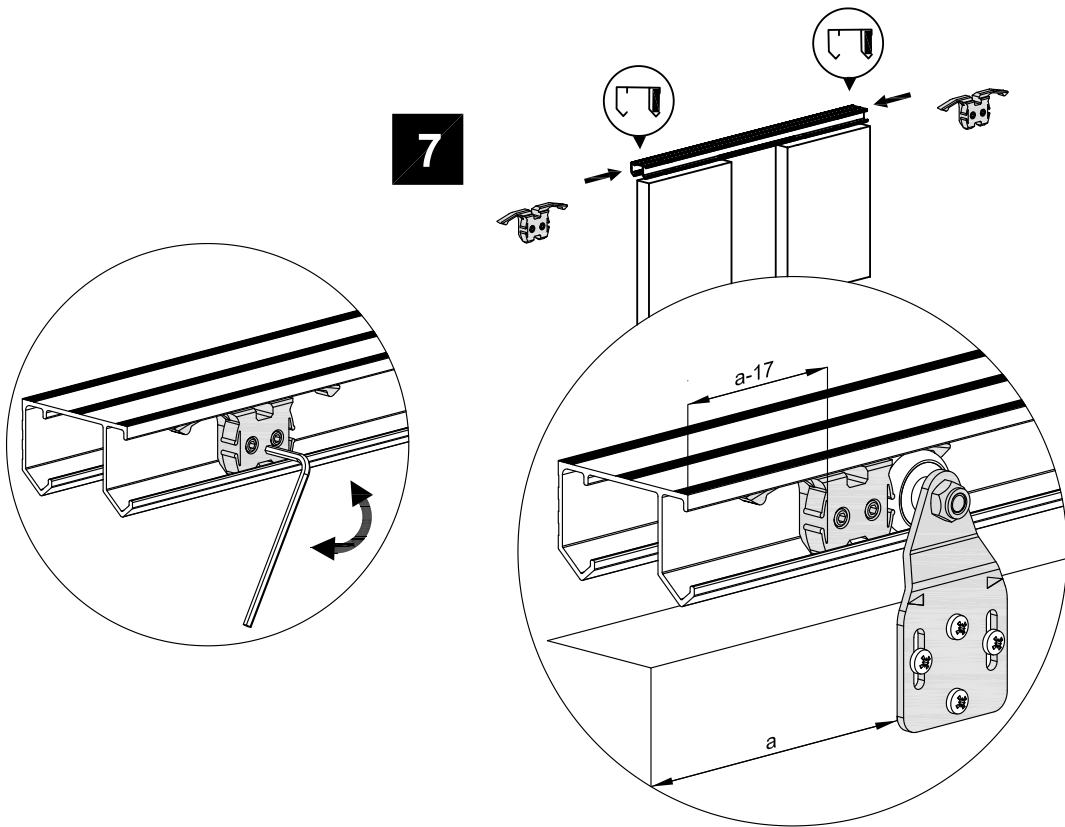
5



6



7



8

