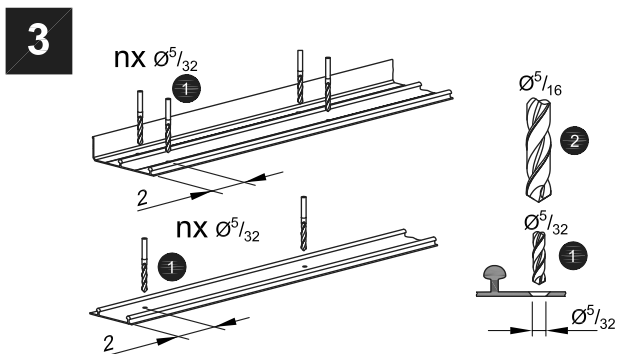
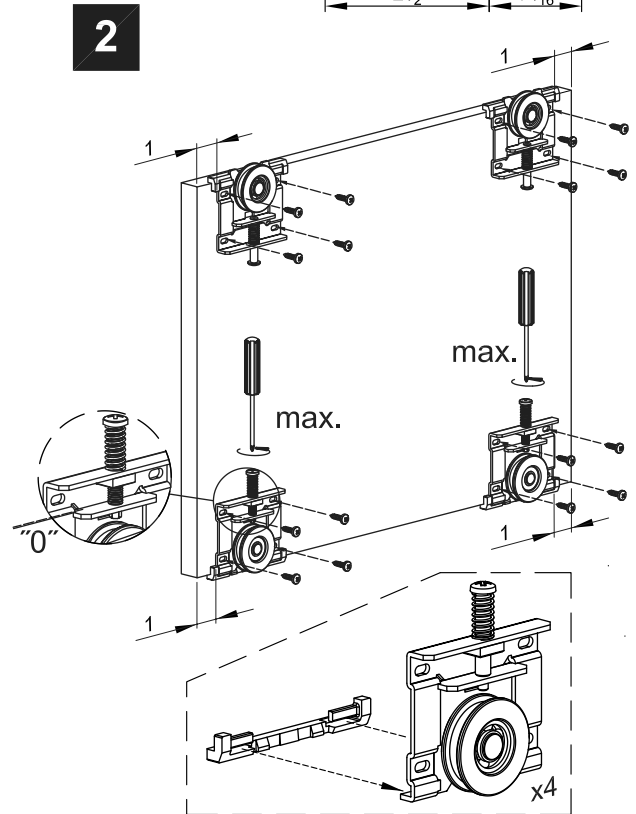
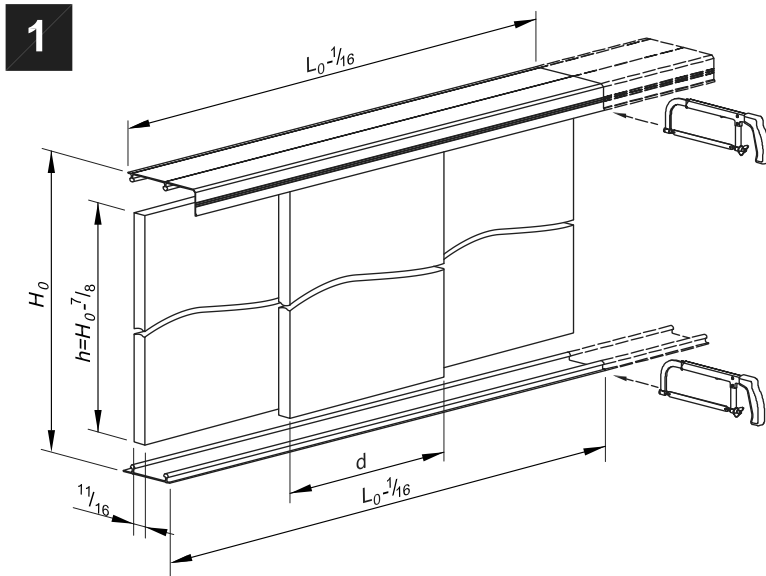
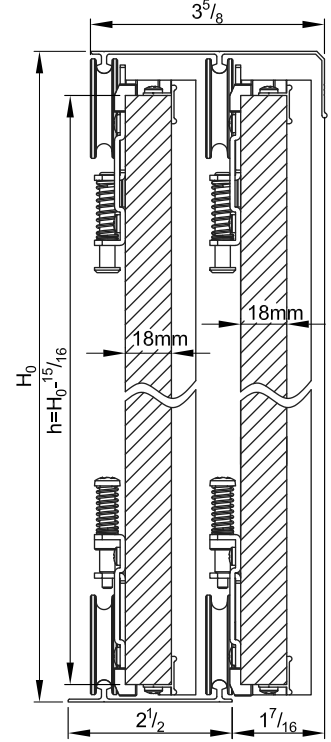
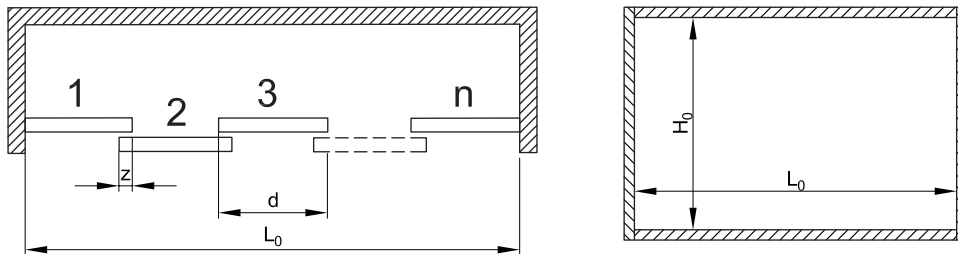
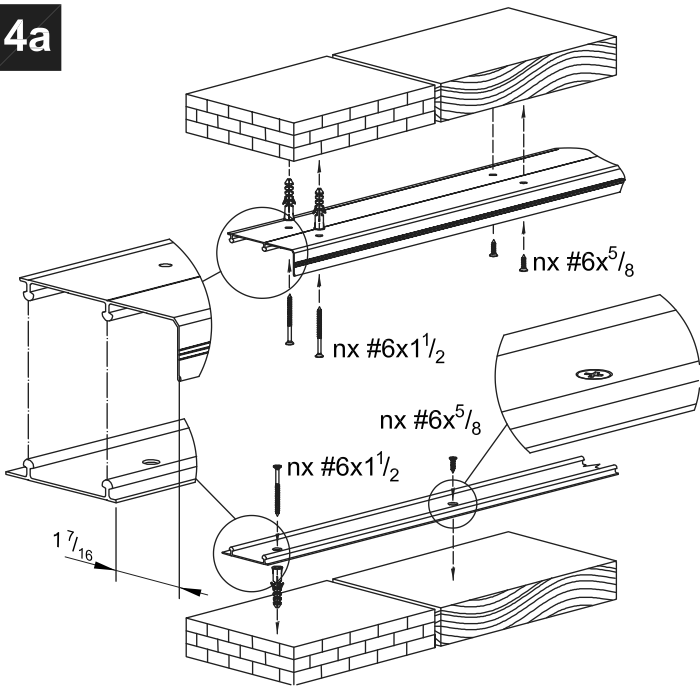


$$d = \frac{L_0 + (n-1) \cdot z}{n} \quad z = 1\frac{9}{16}$$

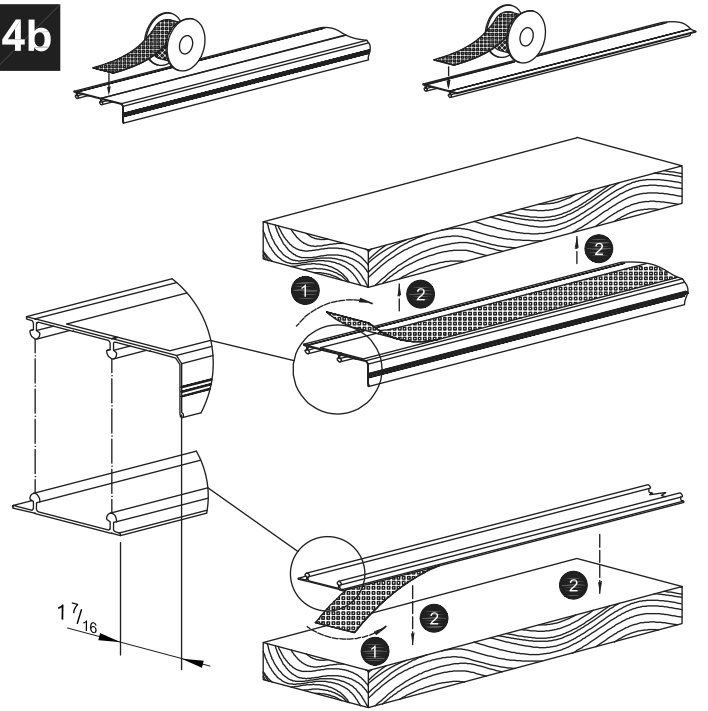


L <sub>0</sub>	47	59	70	78	95	106
n	3	3	4	4	4	5

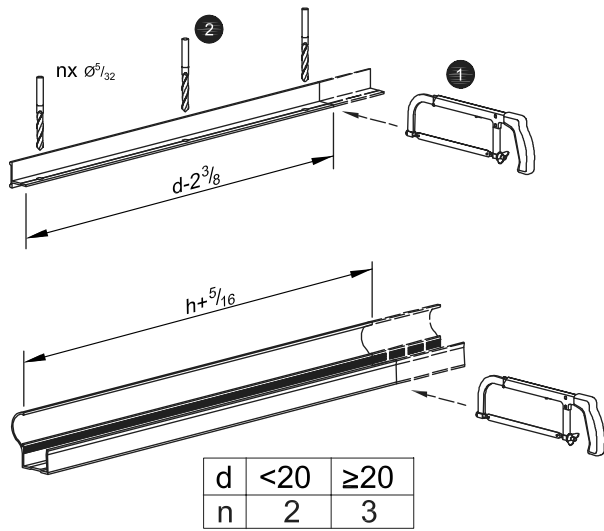
4a



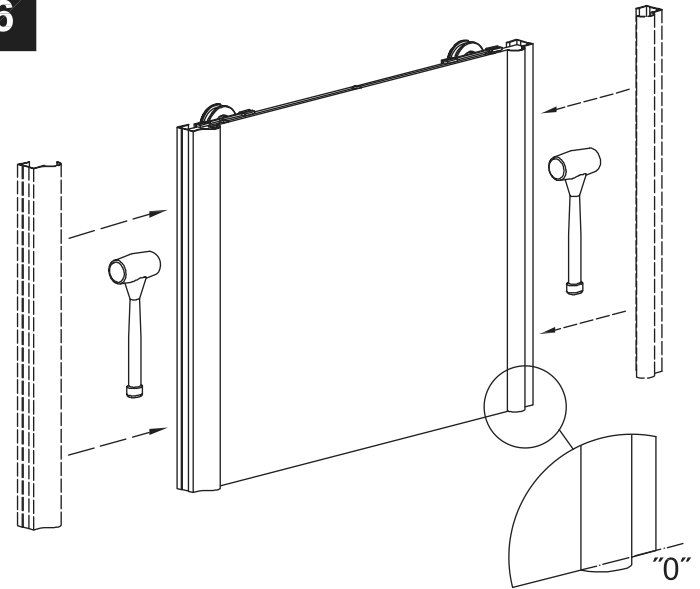
4b



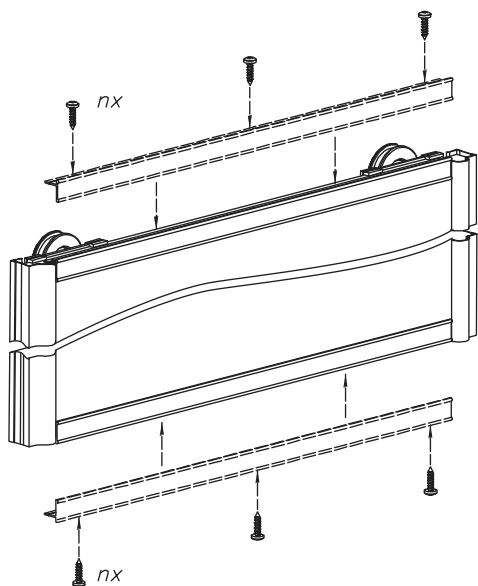
5

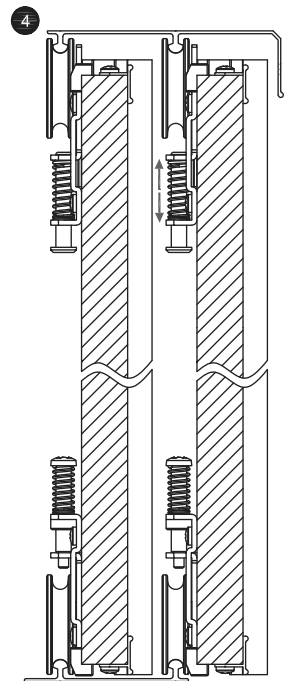
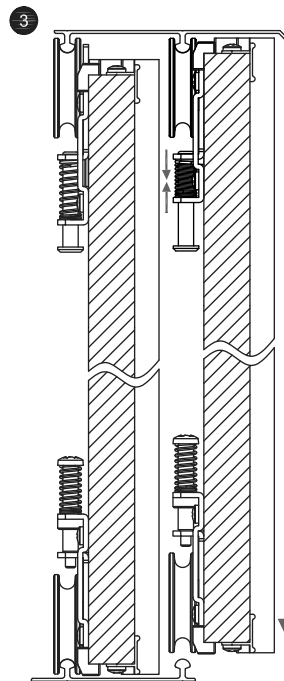
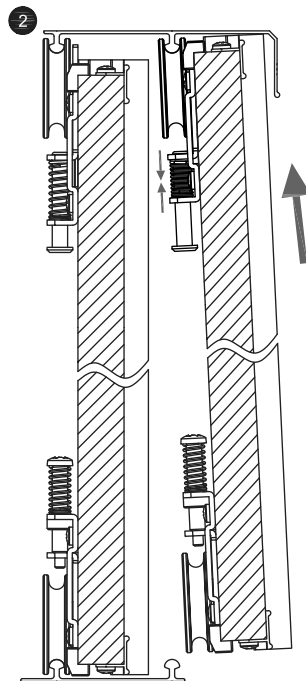
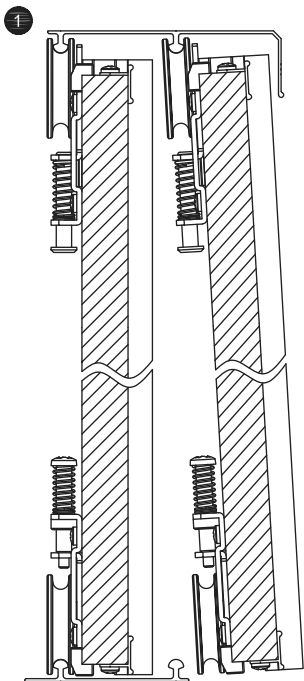
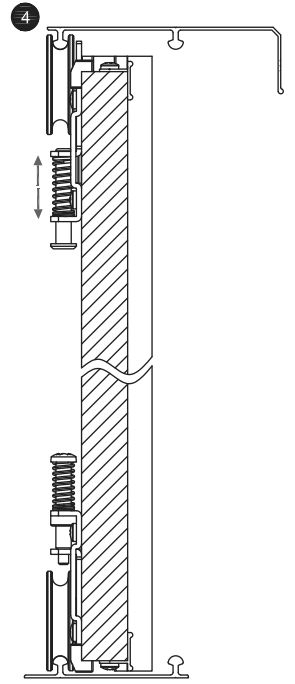
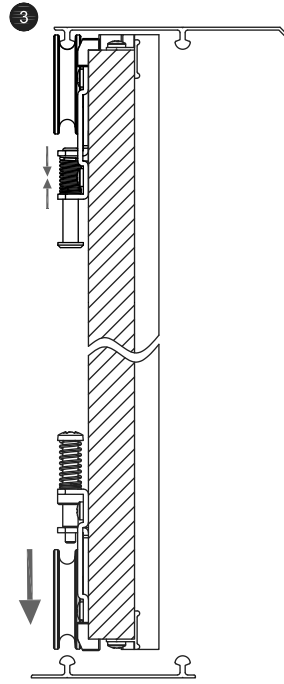
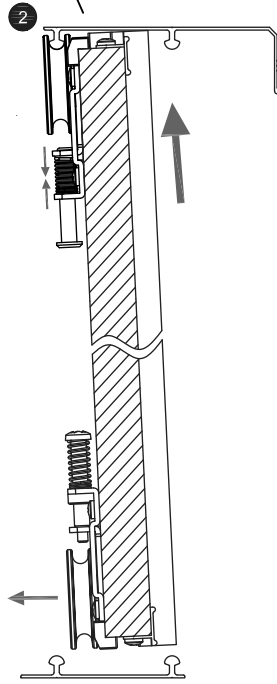
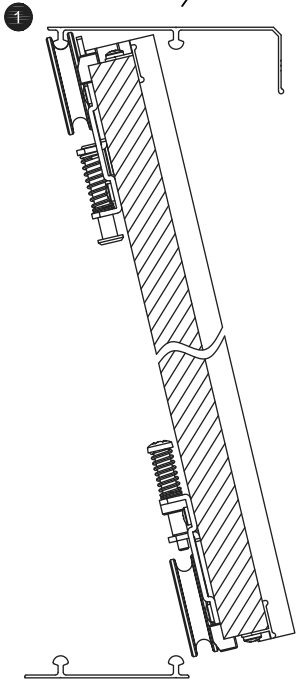
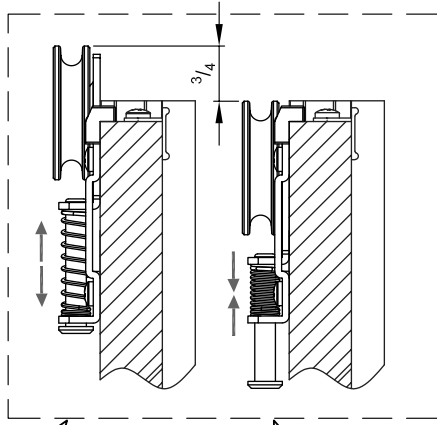


6

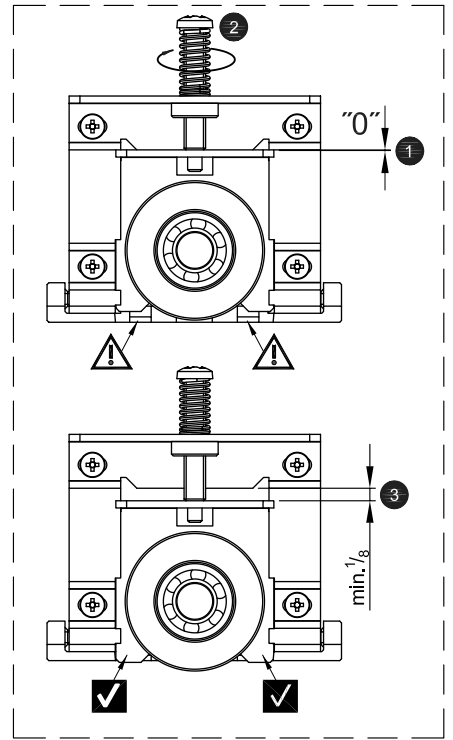
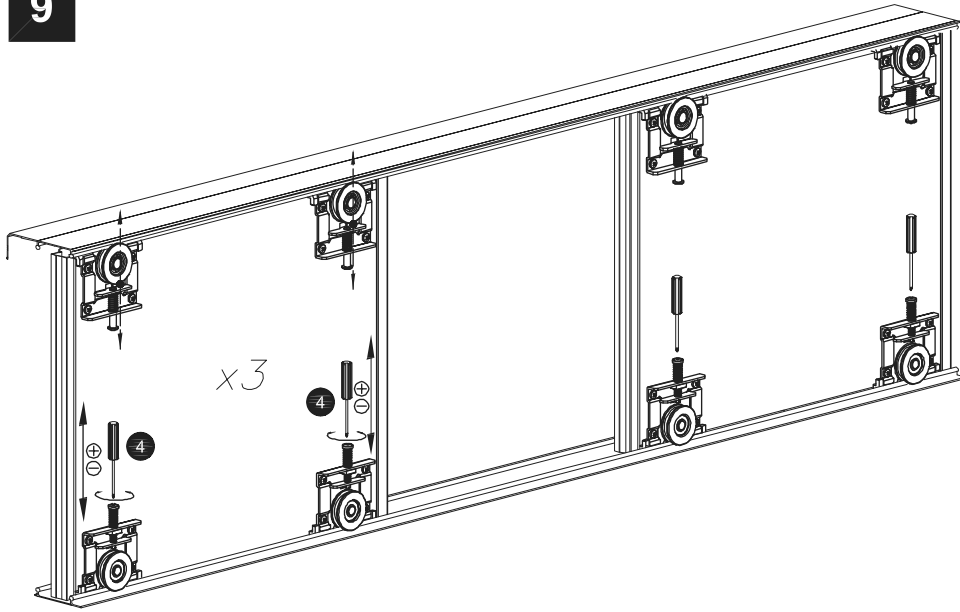


7

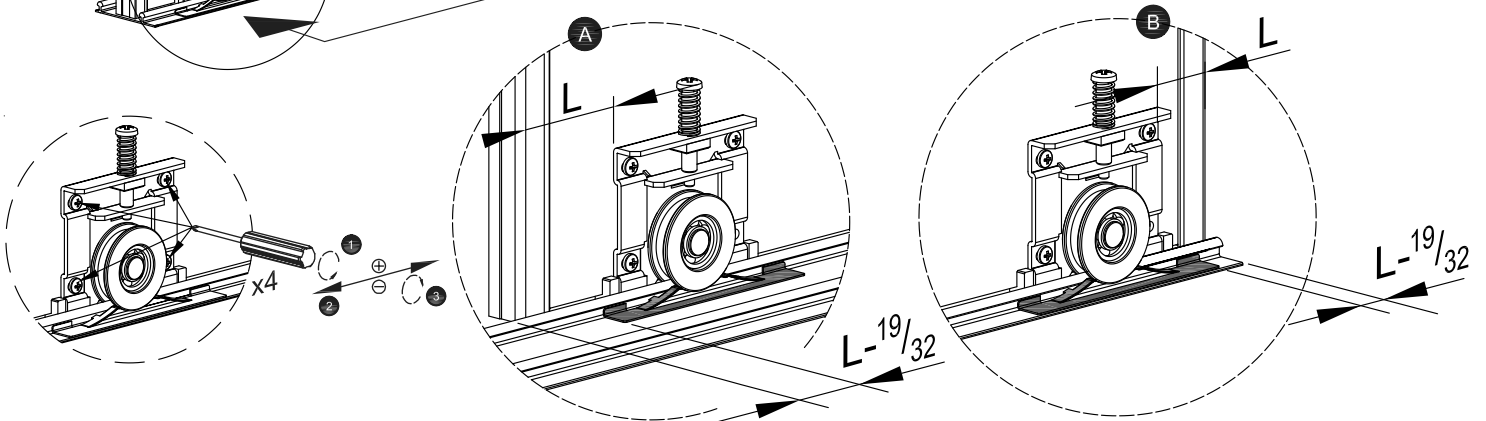
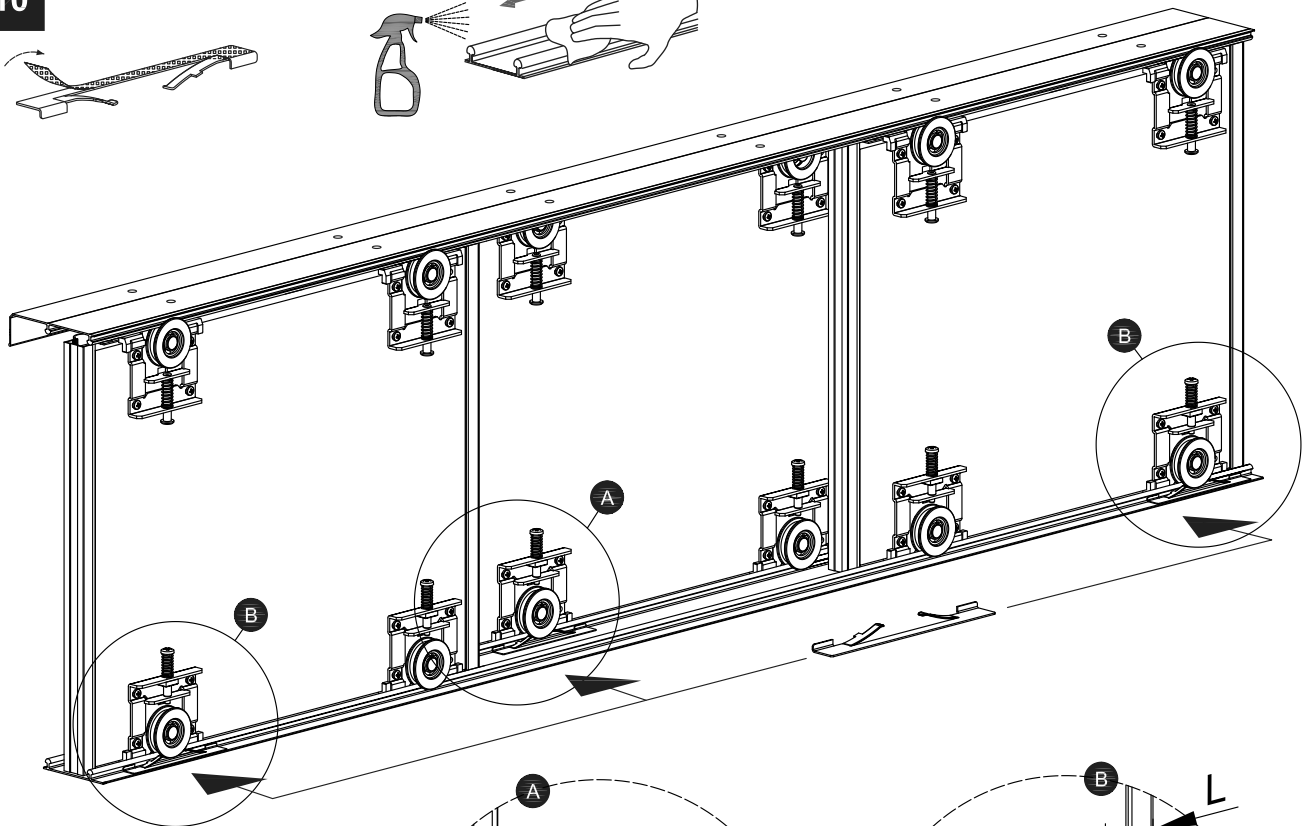
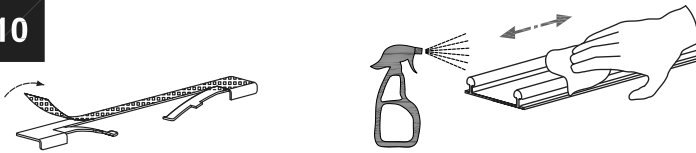




9



10



a SU5263  
SU5264  
SU5265

