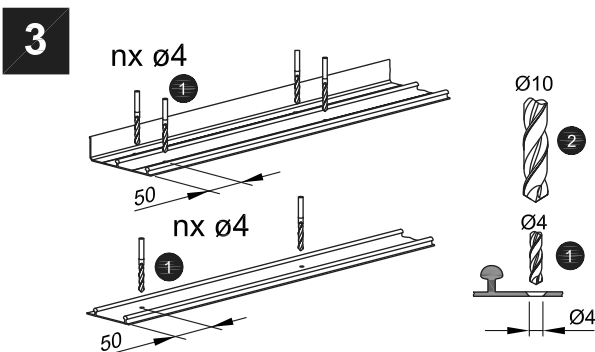
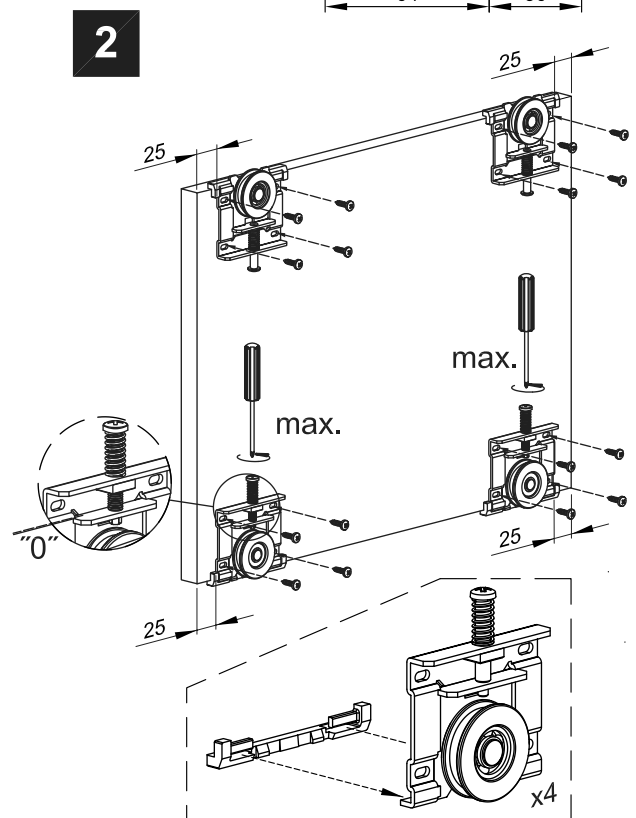
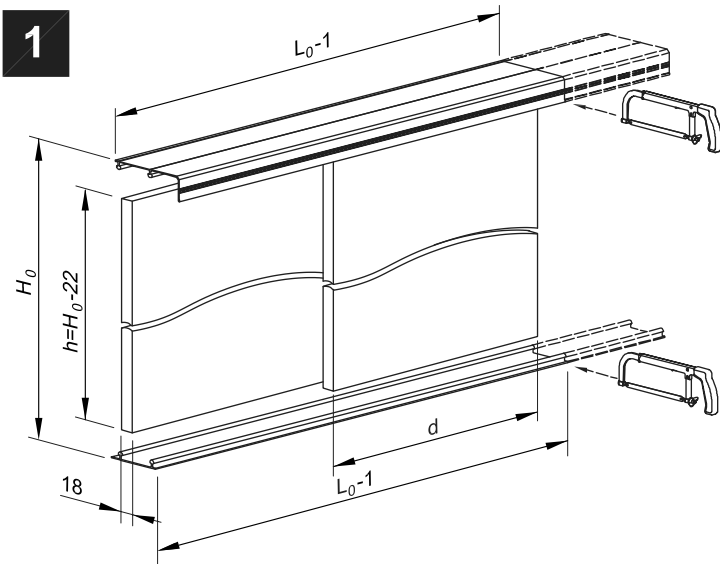
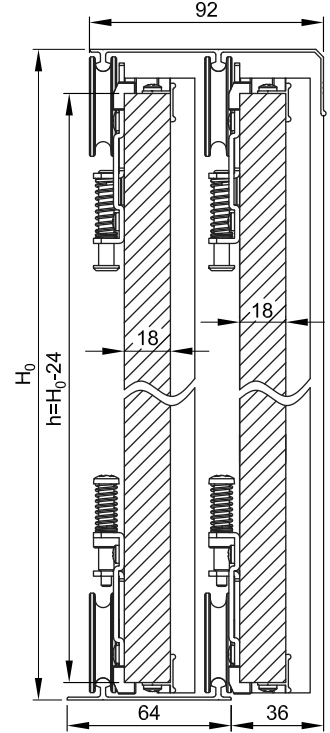
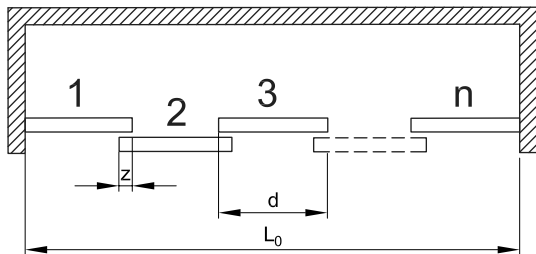
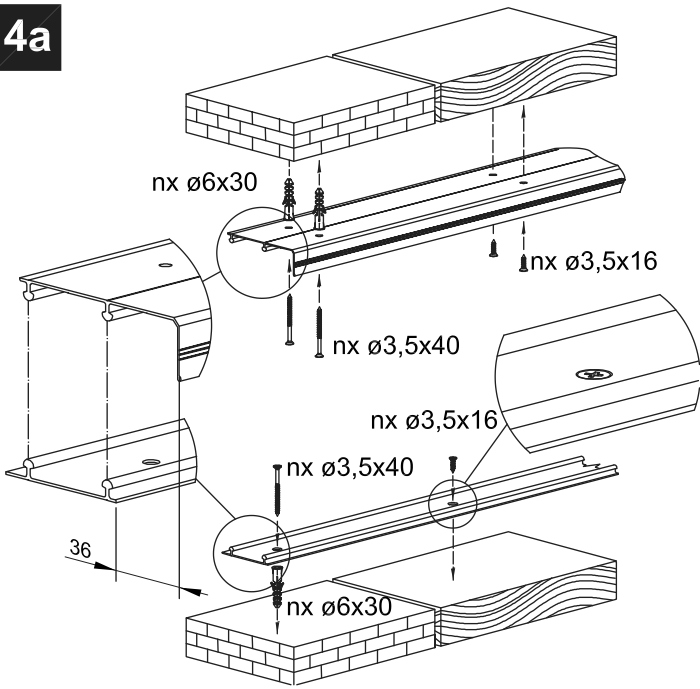
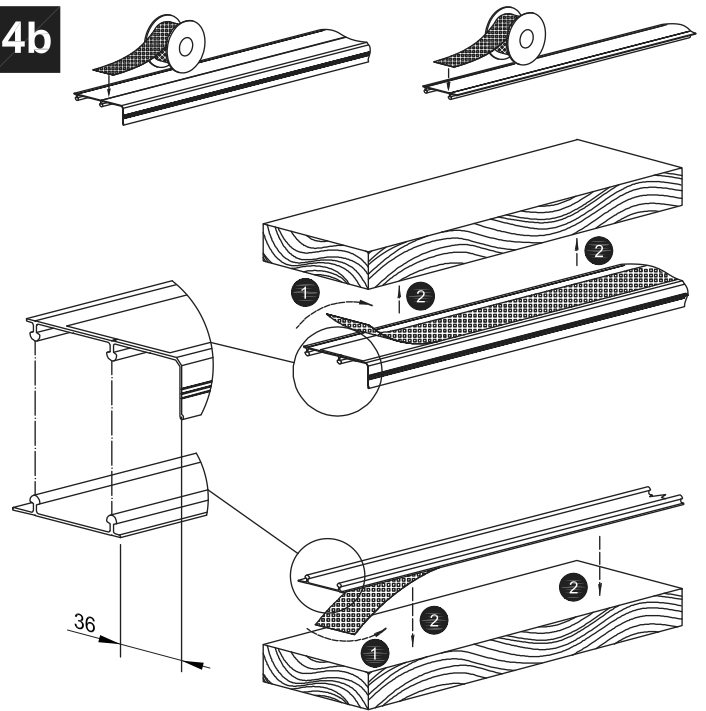
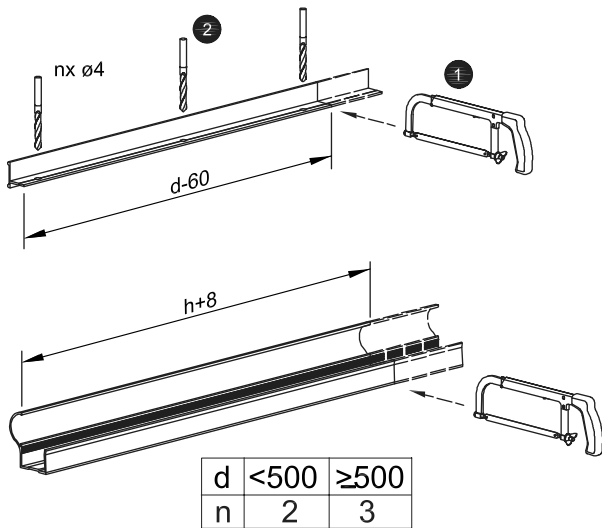
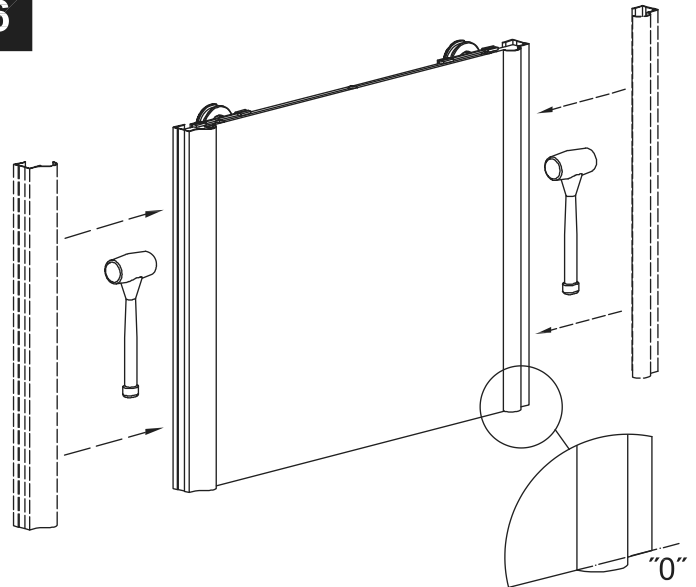
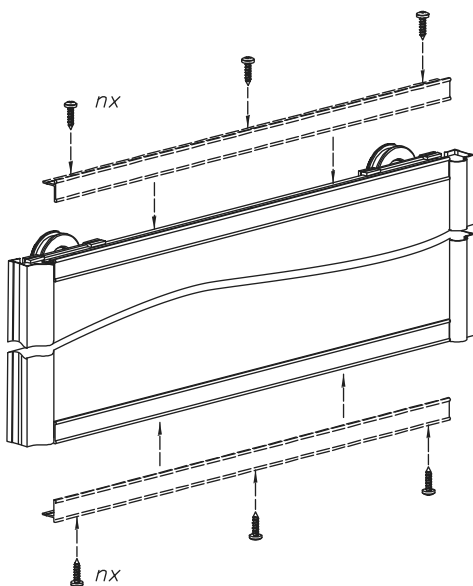


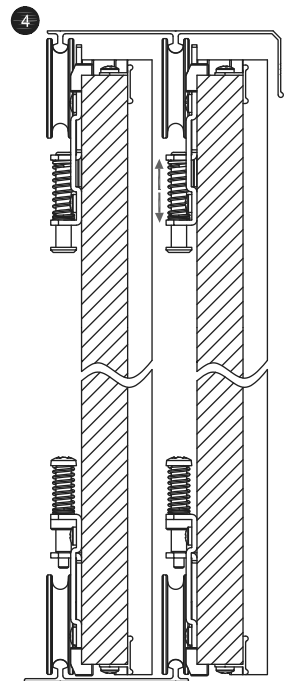
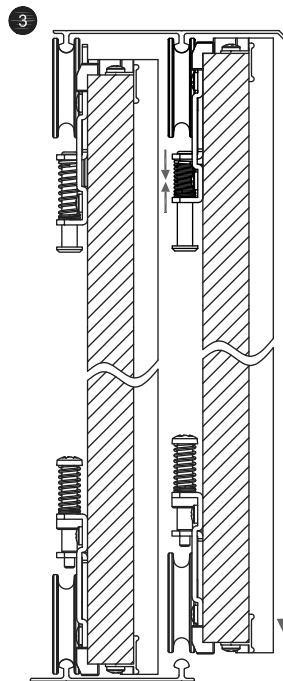
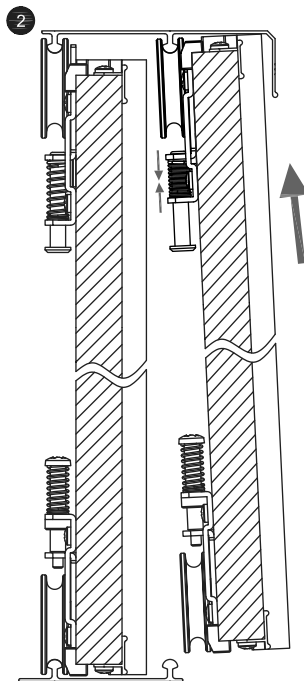
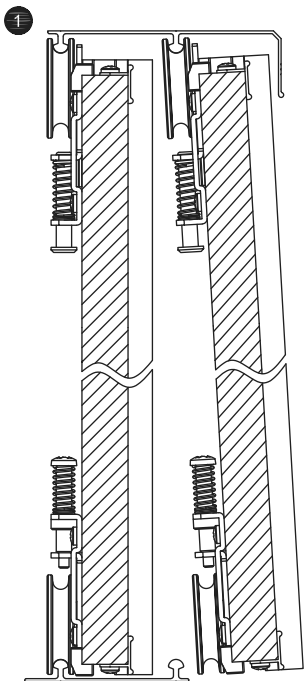
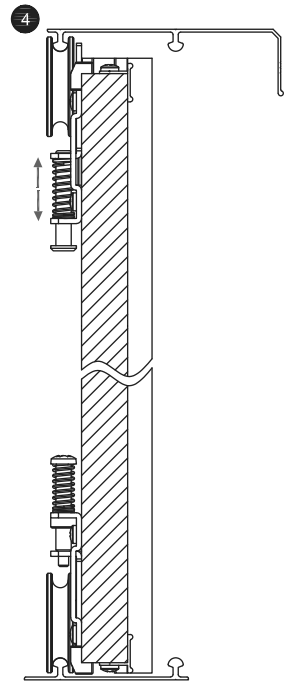
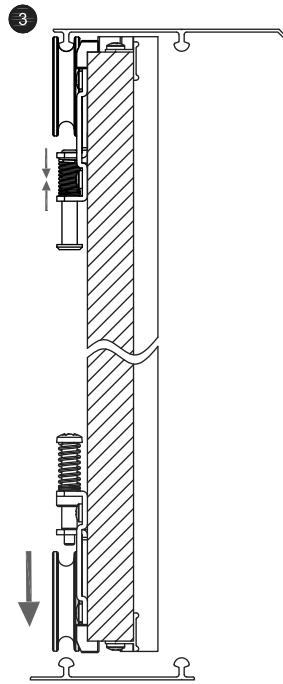
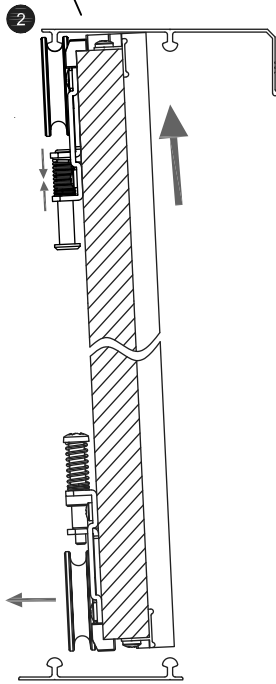
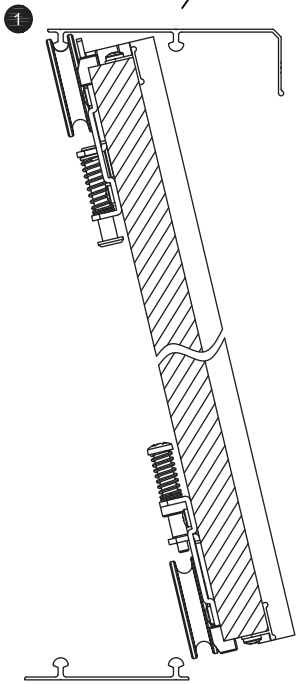
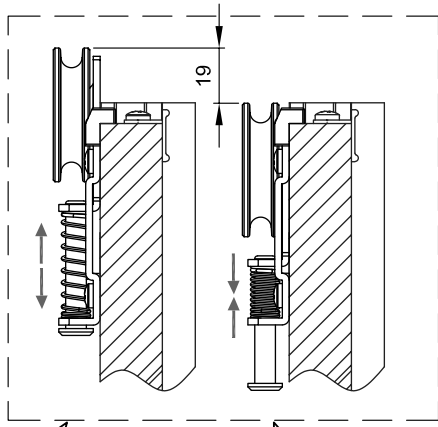
$$d = \frac{L_0 + (n-1) \cdot z}{n} \quad z=40$$



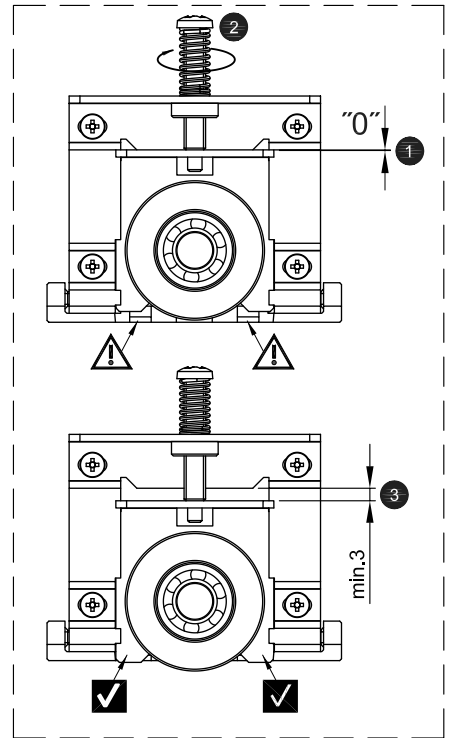
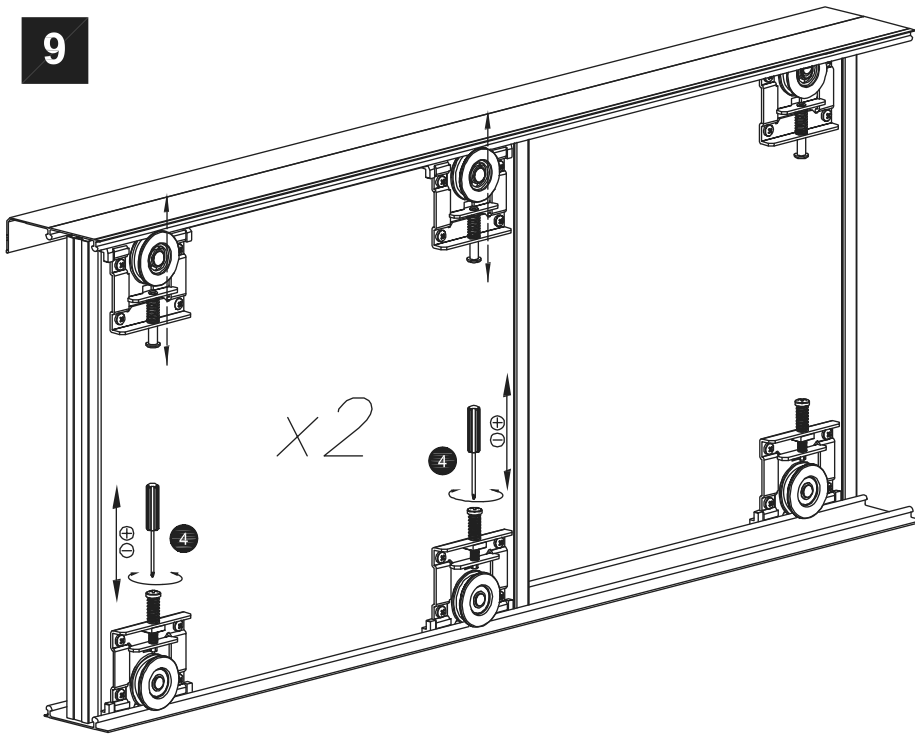
L <sub>0</sub>	1200	1500	1800	2000	2400	2700
n	3	3	4	4	4	5

**4a****4b****5****6****7**

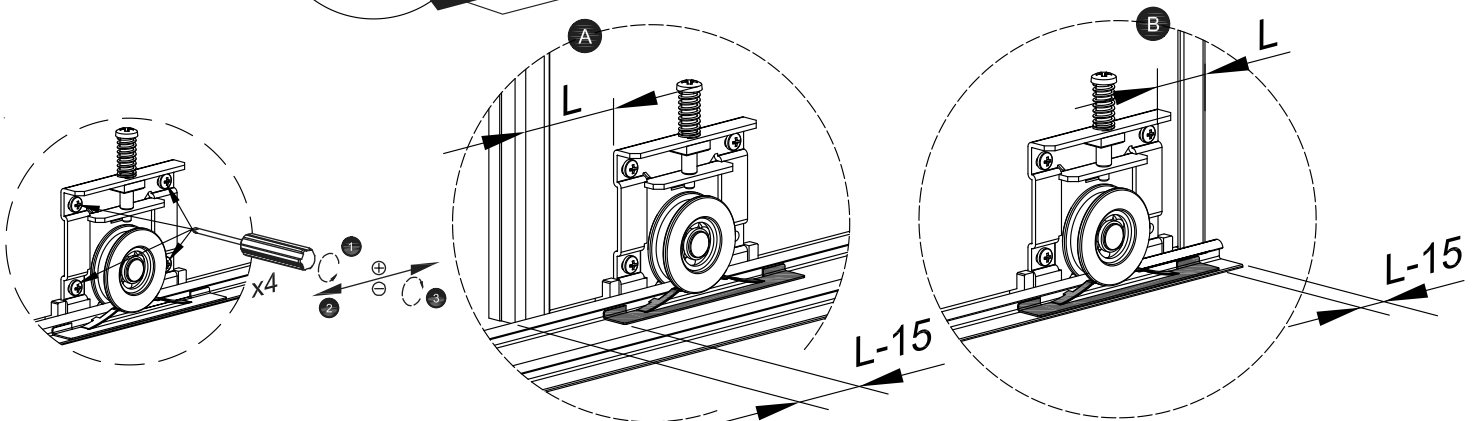
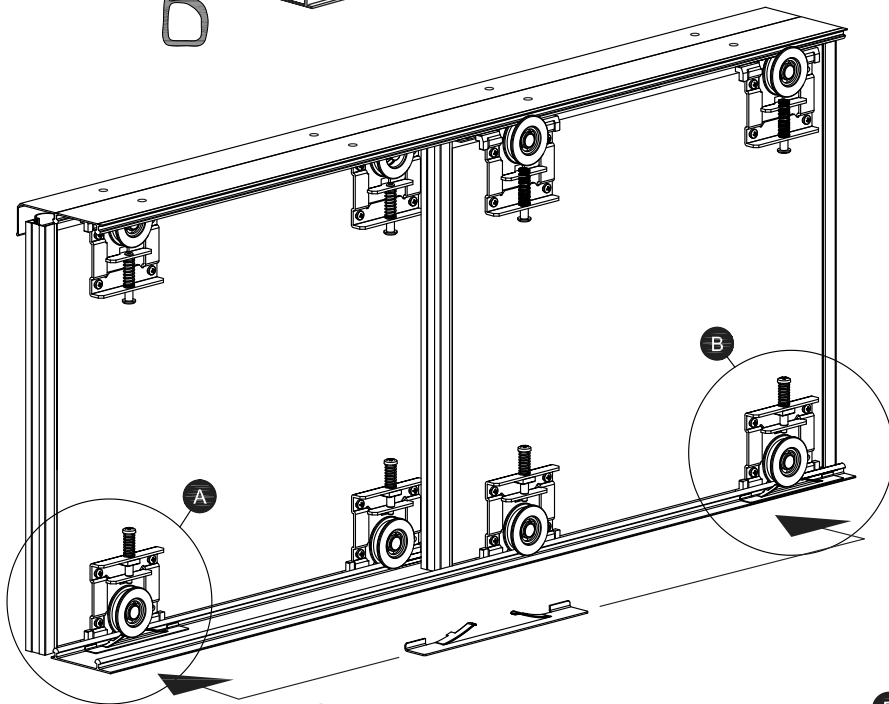
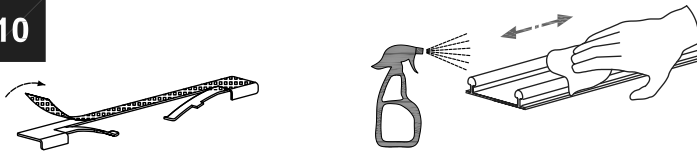
8



9



10



a  
SU5263  
SU5264  
SU5265

