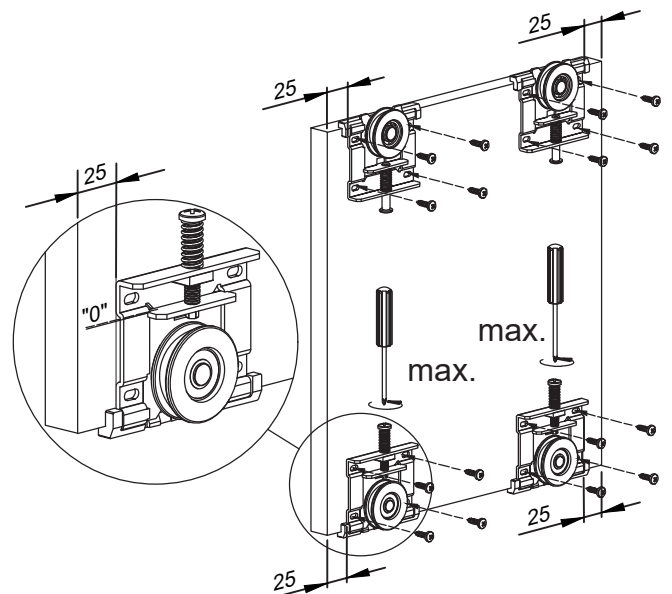
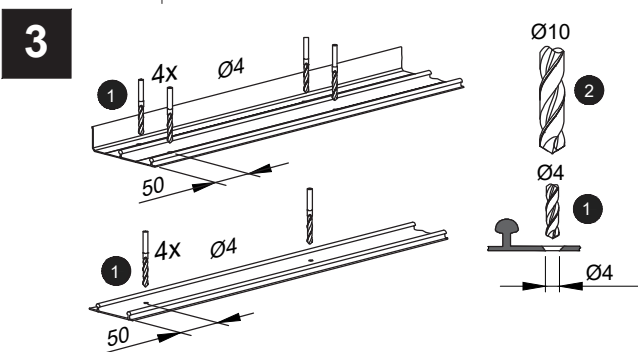
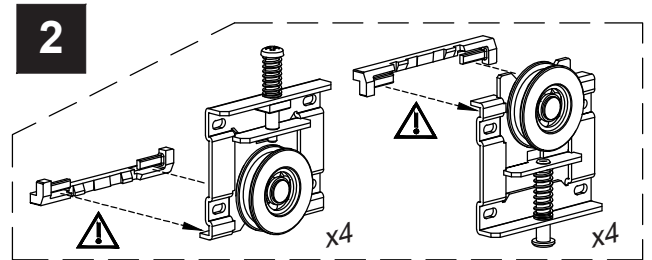
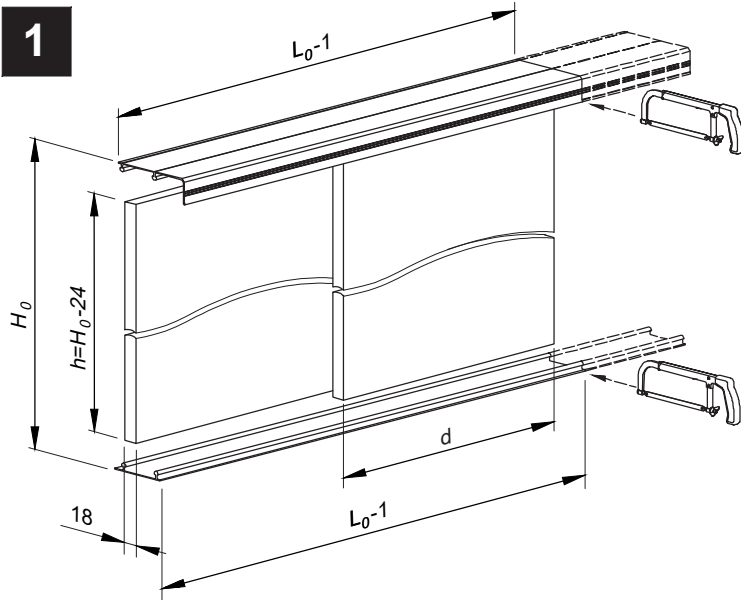
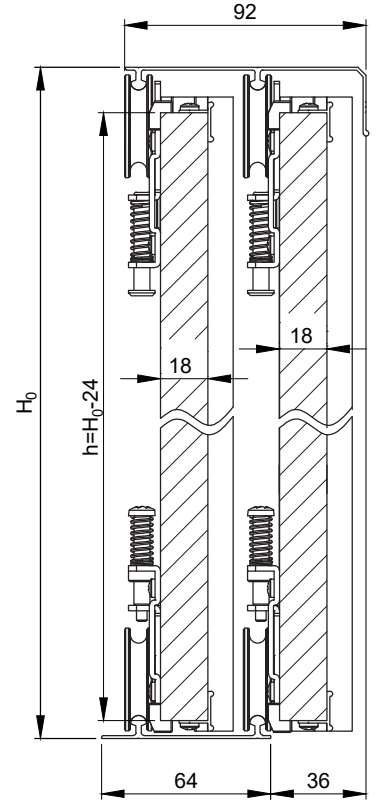
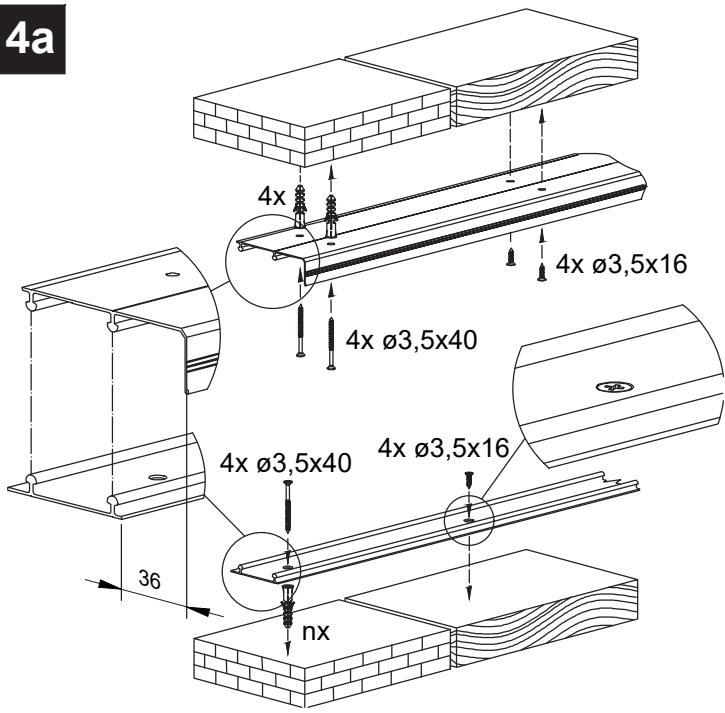
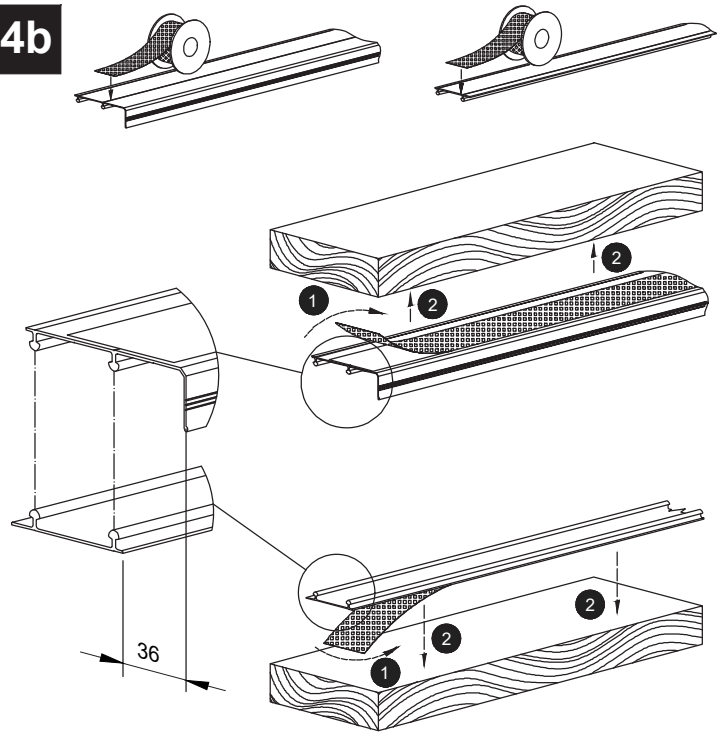
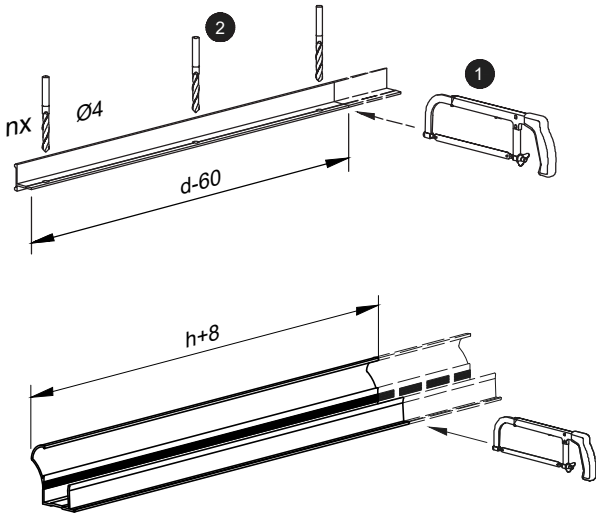
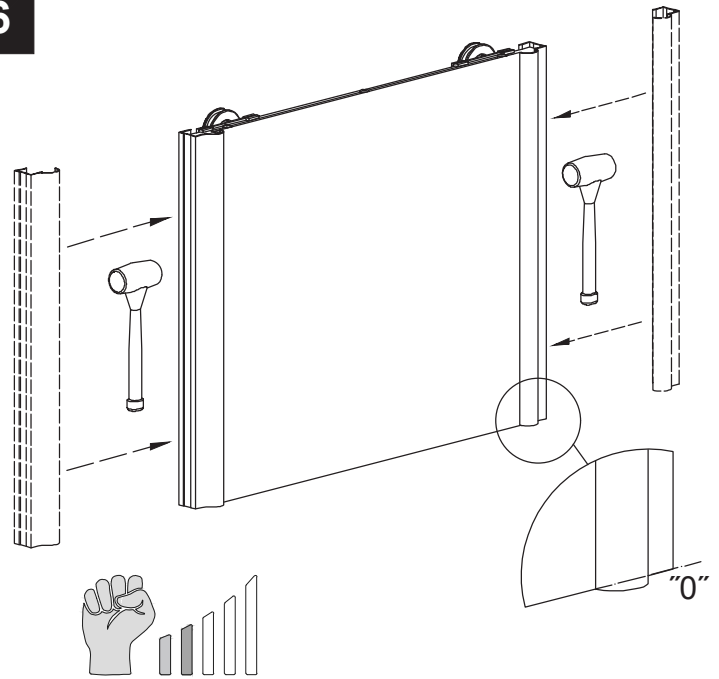
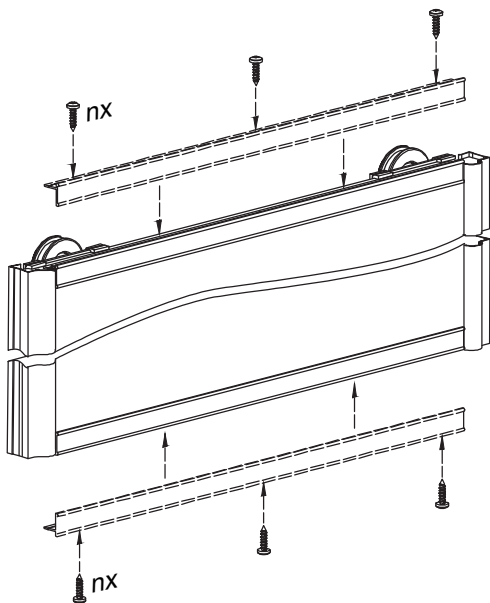


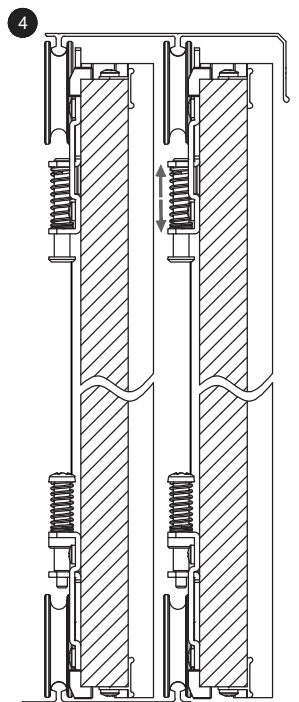
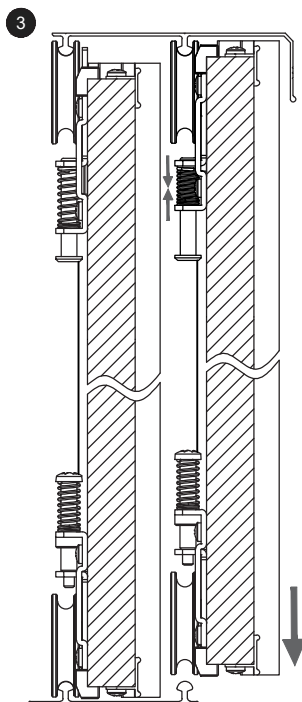
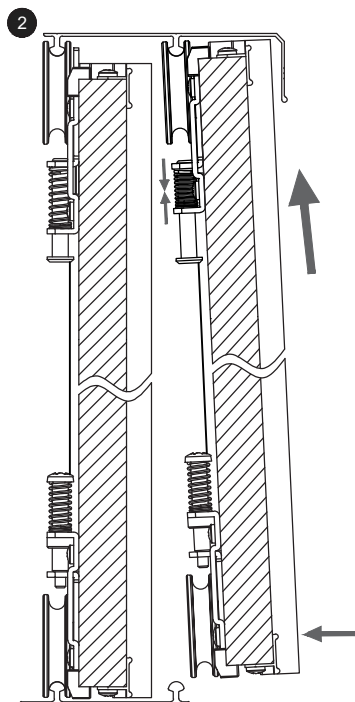
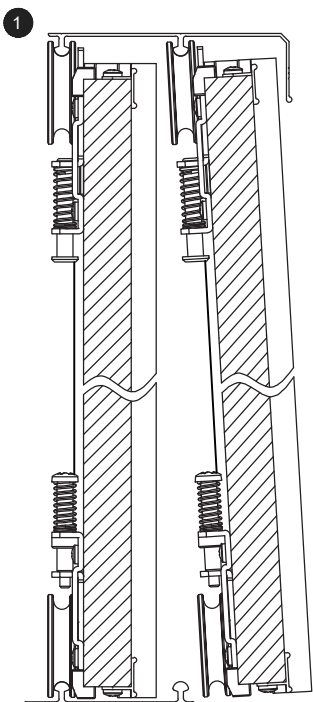
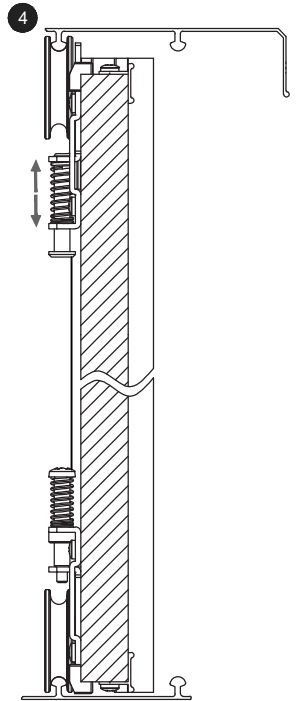
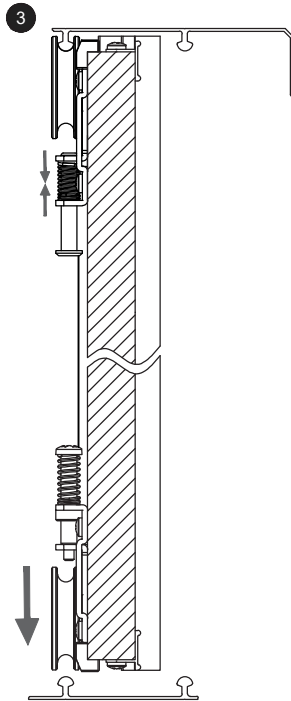
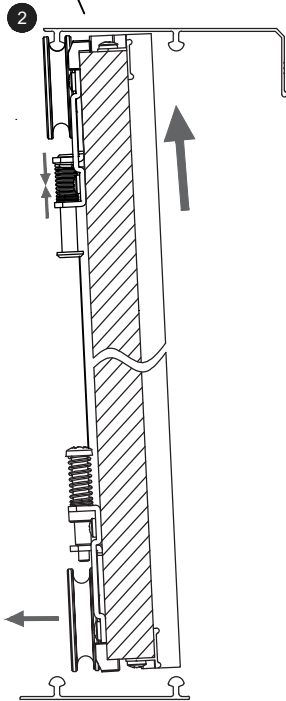
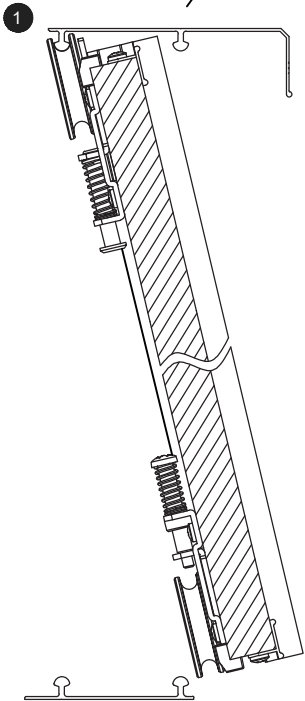
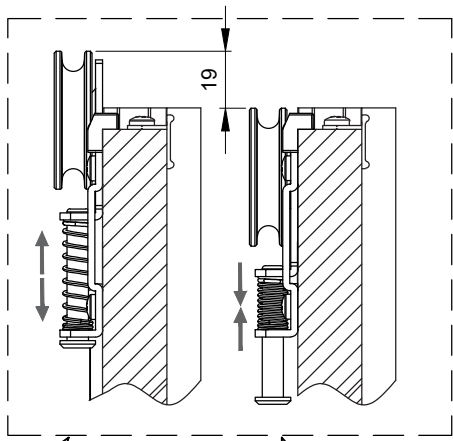
$d = \frac{L_0 + (n-1) \cdot z}{n}$   
 $z = 40$



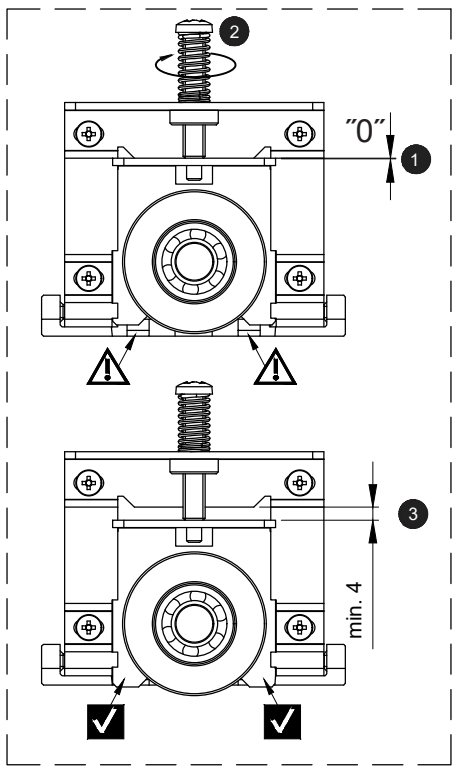
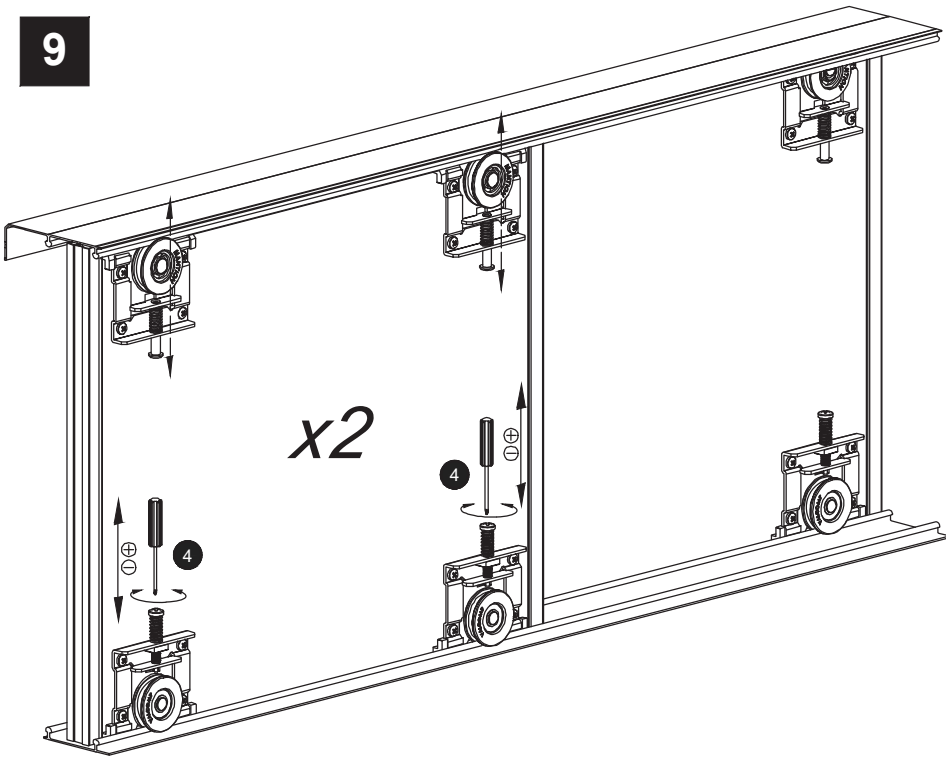
**4a****4b****5**

d [mm]	<500	≥500
n	2	3

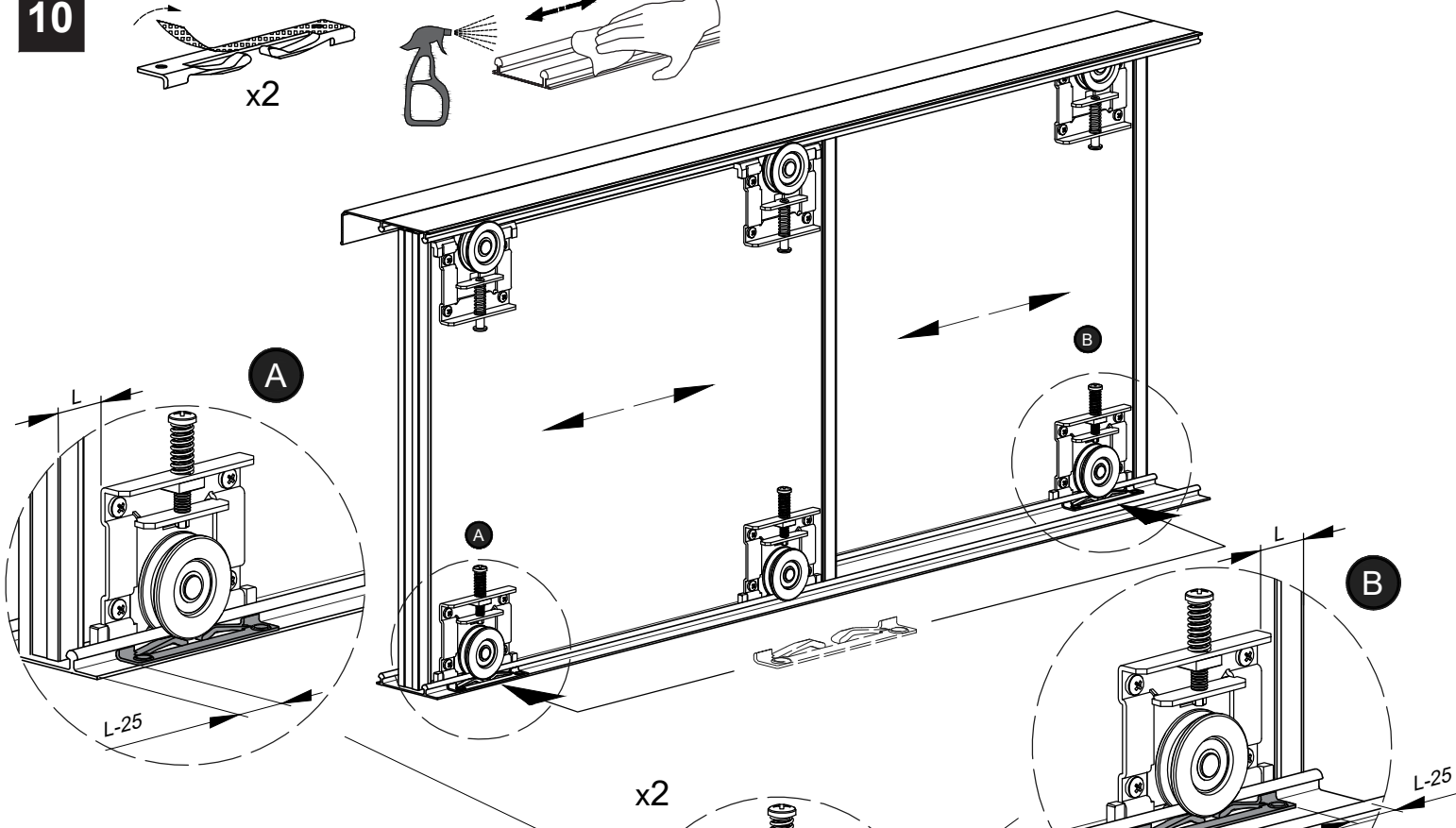
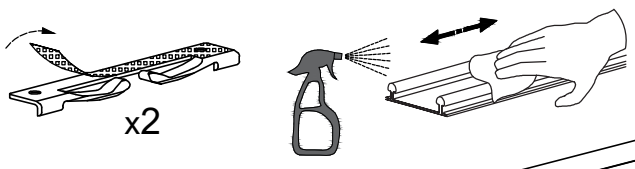
**6****7**



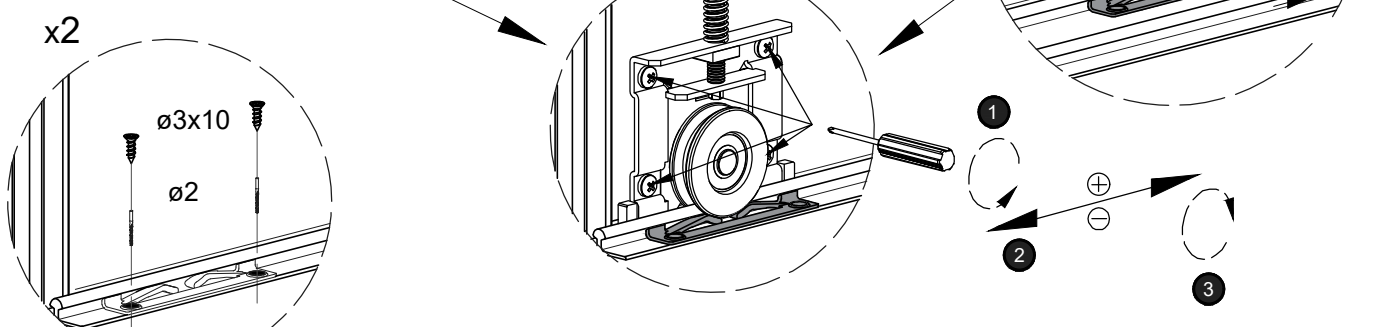
9



10



11



<b>a</b>	SU5260 SU5263 SU5314			
	SU5261 SU5264 SU5432			
	SU5262 SU5265 SU5484			

