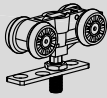
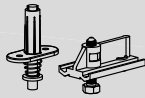




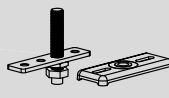
x1



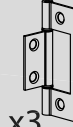
x1



x1



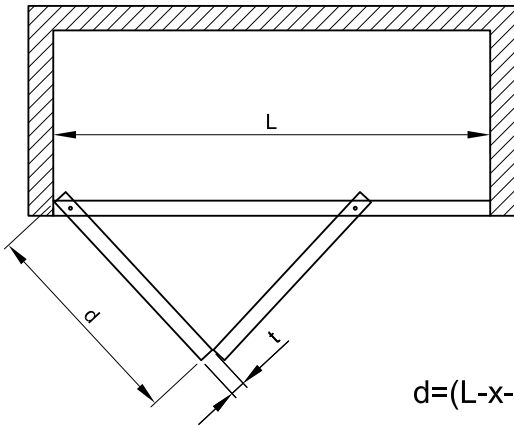
x1



x3

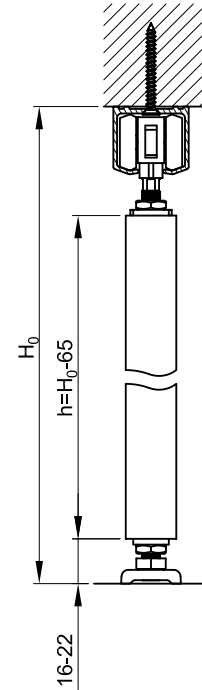


40  
KG



$$d = (L - x - 5) / 2$$

t [mm]	<22	22,25	28,32	40
x [mm]	0	3	4	6



**1**

