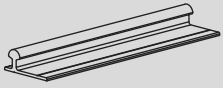


**SLID'UP**  
by MANTION

INSTRUCTION DE MONTAGE  
MONTAGEANLEITUNG  
INSTRUCTIONS FOR ASSEMBLY  
INSTRUCCIONES DE MONTAJE  
INSTRUKCJA MONTAŻU

**SLID'UP 130**

SU5114  
SU5115  
SU5116  
SU5117  
SU5118  
SU5119



x4



x4/x6



x4/x6



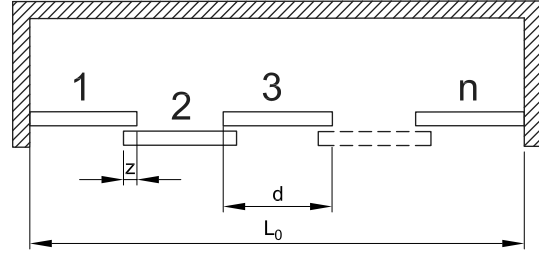
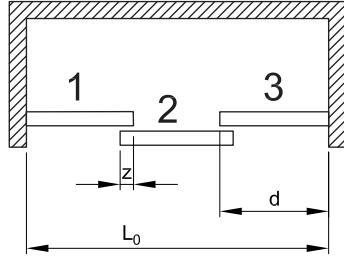
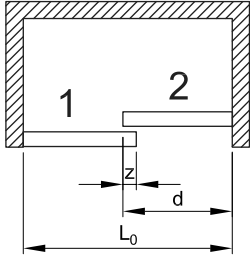
x2/x3



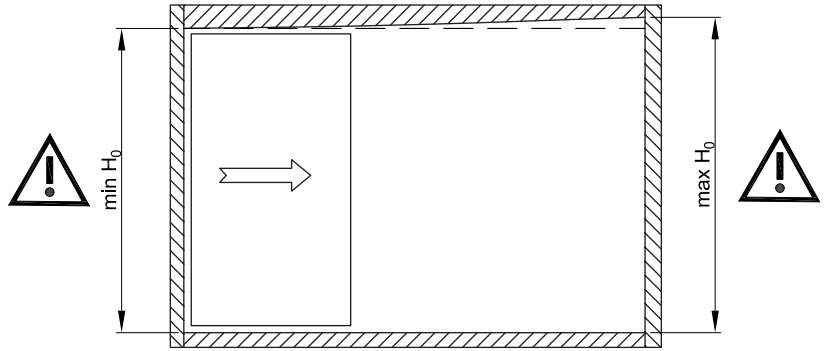
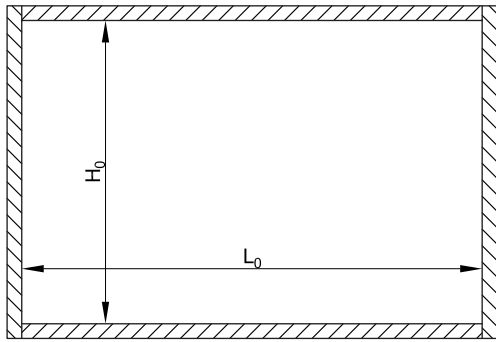
x1



155  
lb



$$d = \frac{L_0 + (n-1) \cdot z}{n} \quad z = 1^{9/16}$$



$$\max H_0 - \min H_0 \leq 5/32$$

