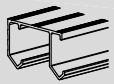


SLID'UP
by MANTION

INSTRUCTION DE MONTAGE
MONTAGEANLEITUNG
INSTRUCTIONS FOR ASSEMBLY
INSTRUCCIONES DE MONTAJE
INSTRUKCJA MONTAŻU

SLID'UP 110

SU5103
SU5104
SU5105



x1



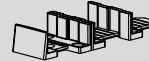
x2



x2



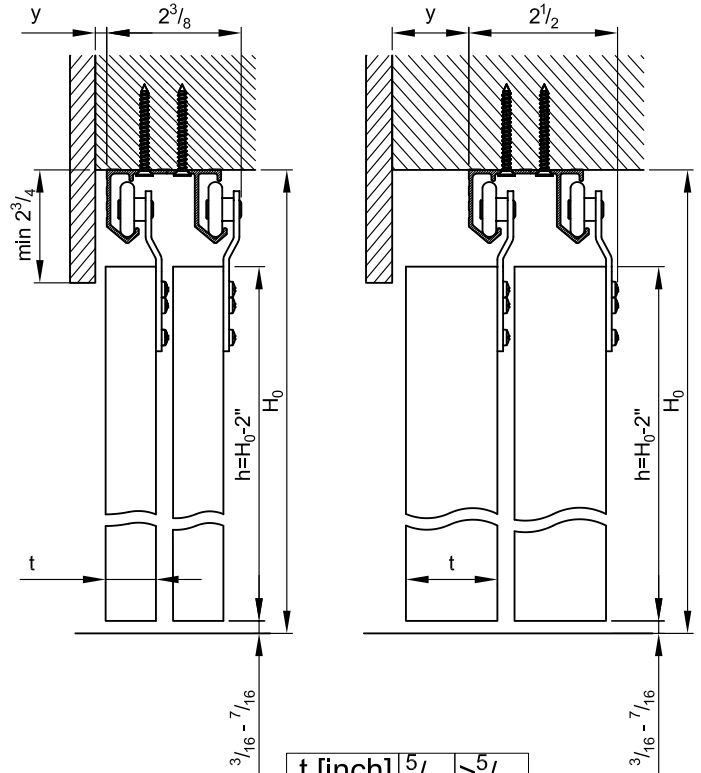
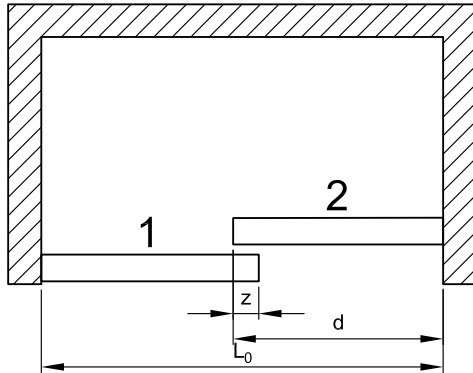
x2



x1

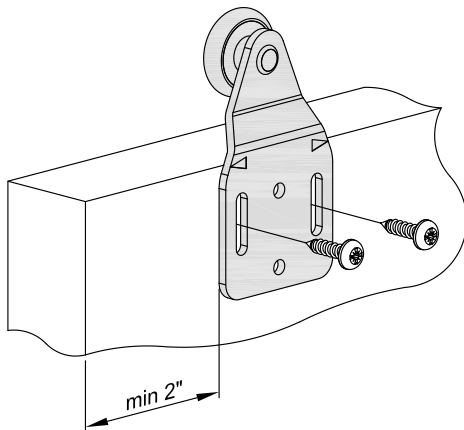


100
lb

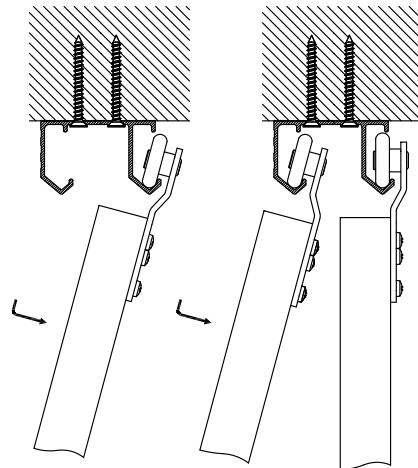


t [inch]	$\frac{5}{8}$	$> \frac{5}{8}$
y [inch]	0	$t - \frac{5}{8}$

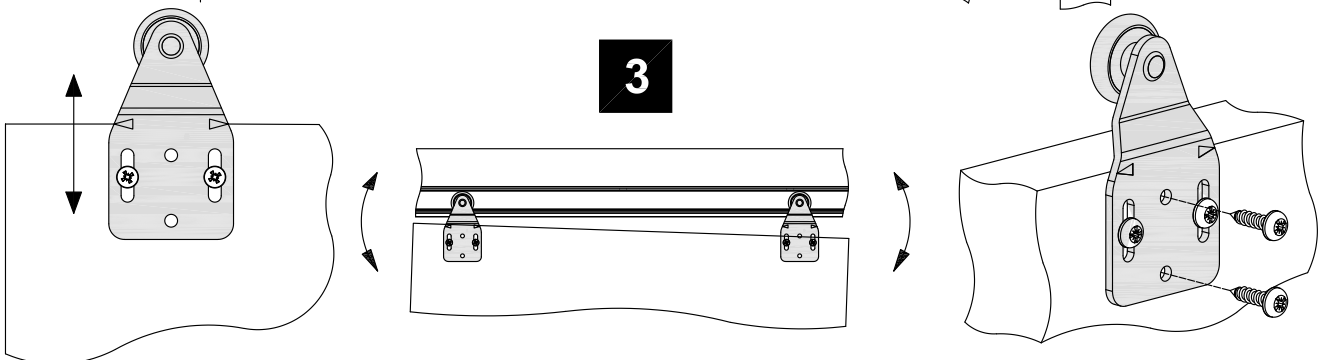
1

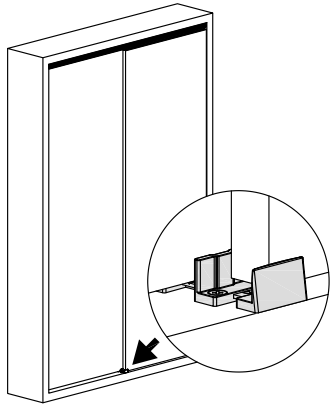


2

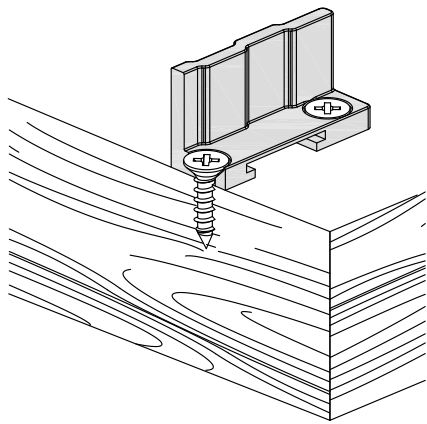
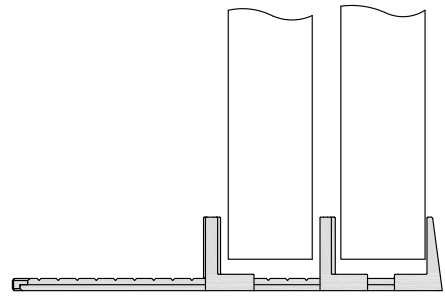


3

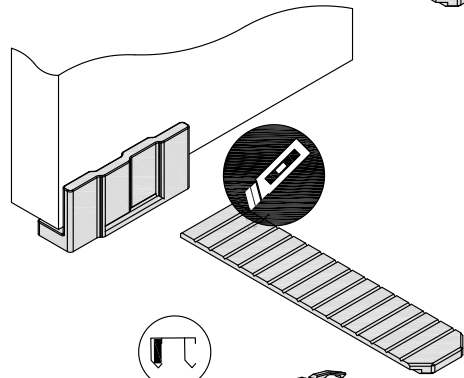
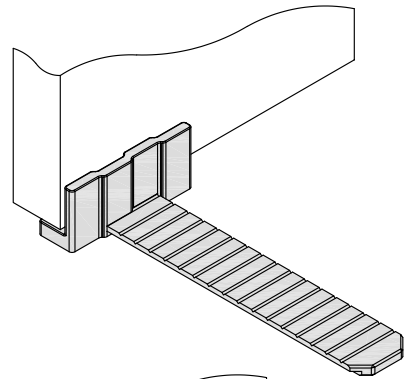




4



5



6

