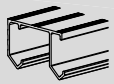


SLID'UP
by MANTION

INSTRUCTION DE MONTAGE
MONTAGEANLEITUNG
INSTRUCTIONS FOR ASSEMBLY
INSTRUCCIONES DE MONTAJE
INSTRUKCJA MONTAŻU

SLID'UP 110
SU5103
SU5104
SU5105



x1



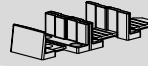
x2



x2



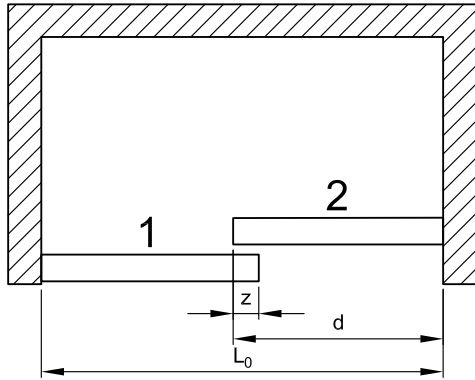
x2



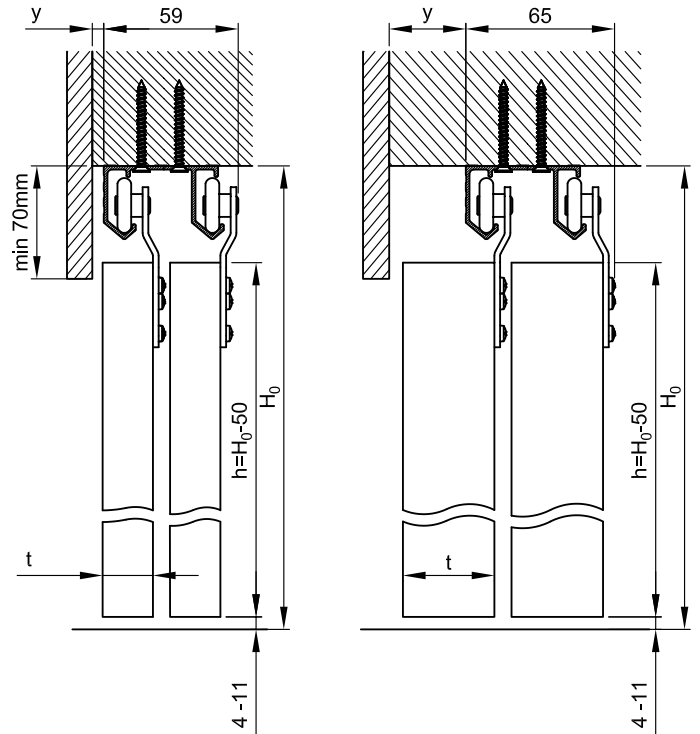
x1



45
KG

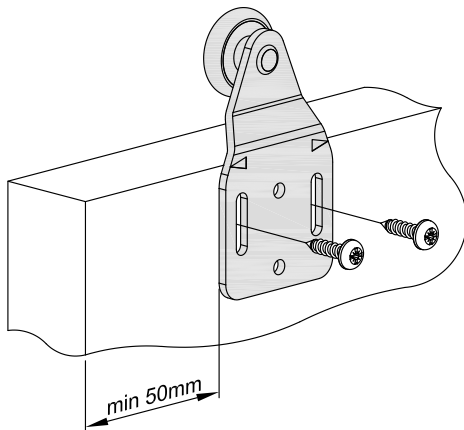


$$d = (L_0 + z) / 2$$

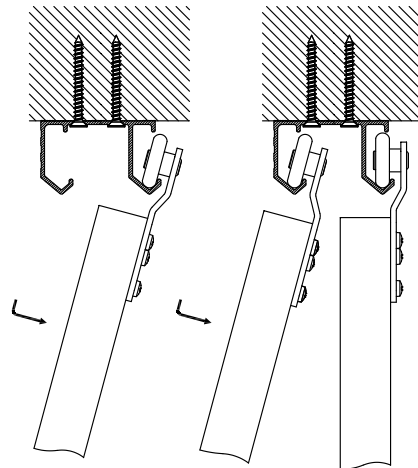


t [mm]	16	>16
y [mm]	0	t-16

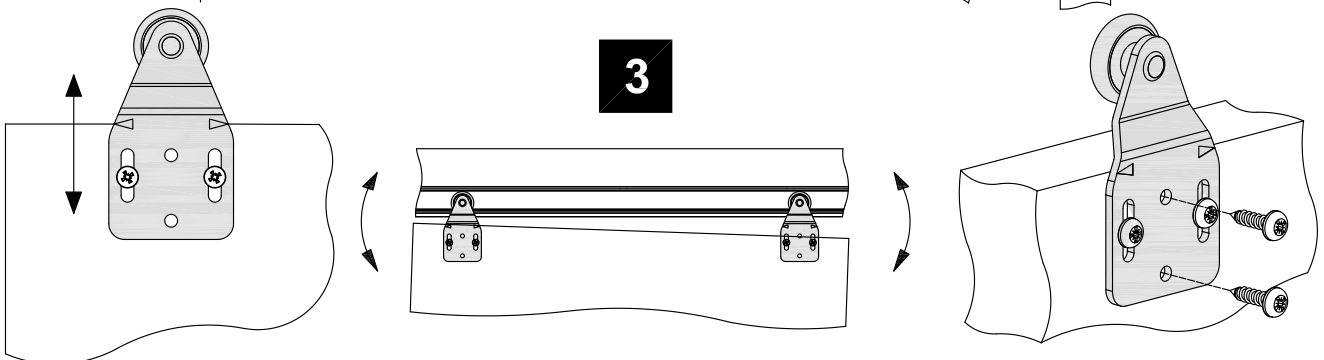
1

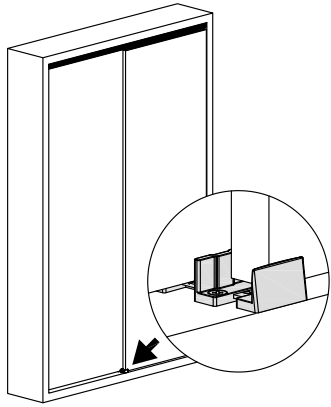


2

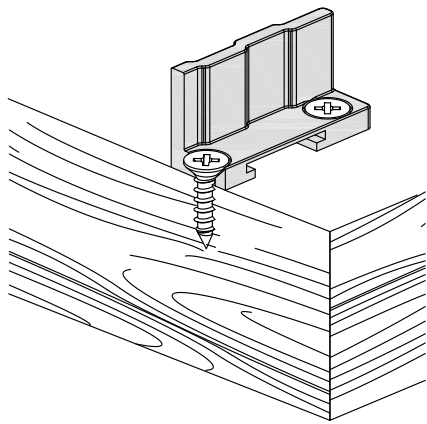
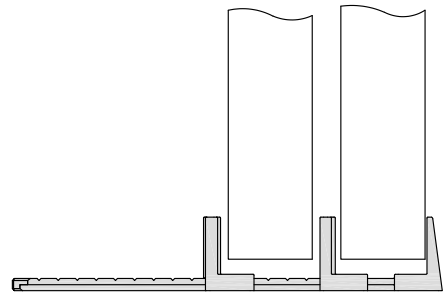


3

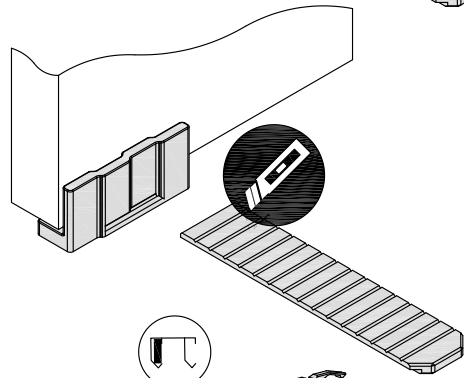
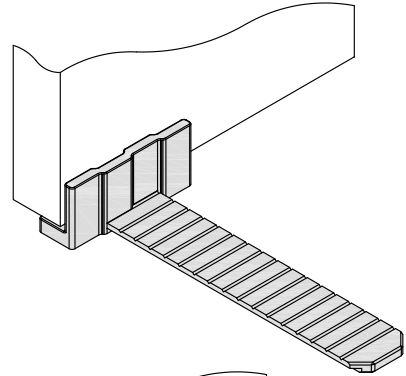




4



5



6

