



x2



x4



x1



x1

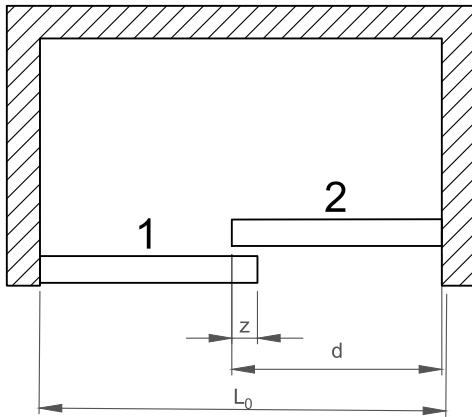


ø4x40
x4

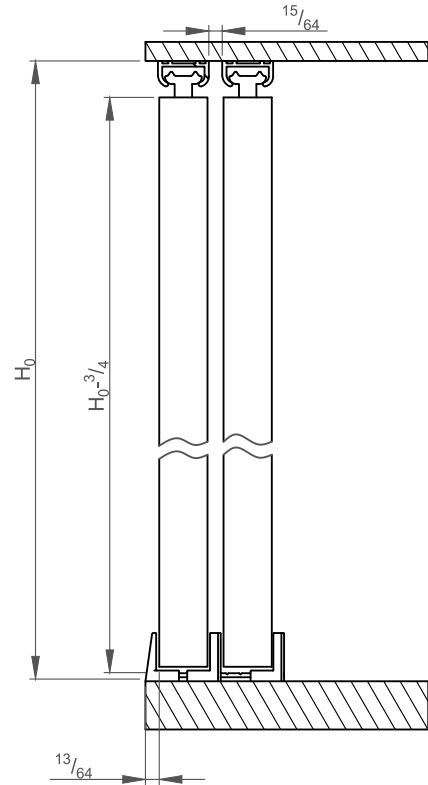


ø3,5x16

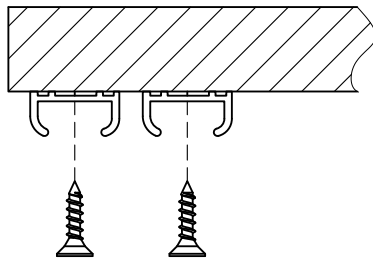
19
lb



$$d = (L_0 + z) / 2 \quad z = 1^9 / 16$$

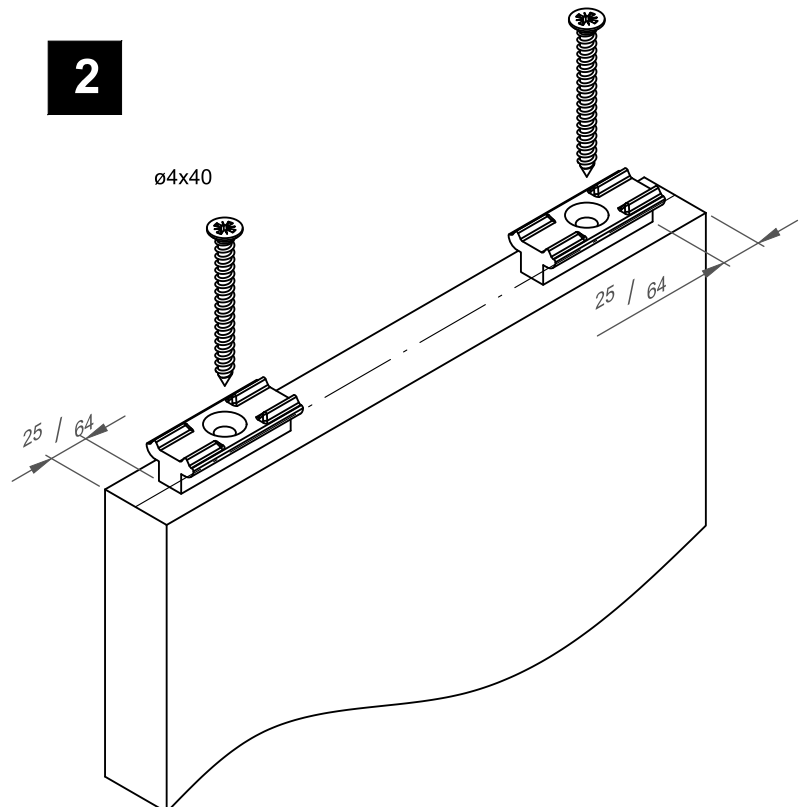


1



ø3,5x16

2

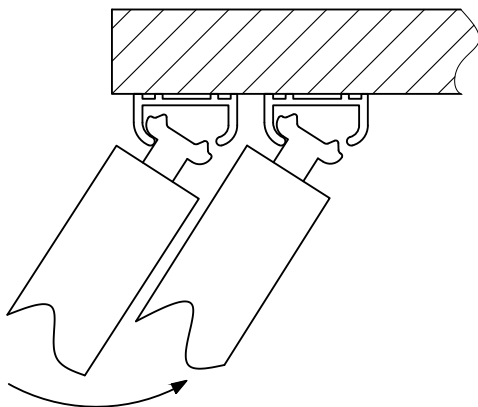


ø4x40

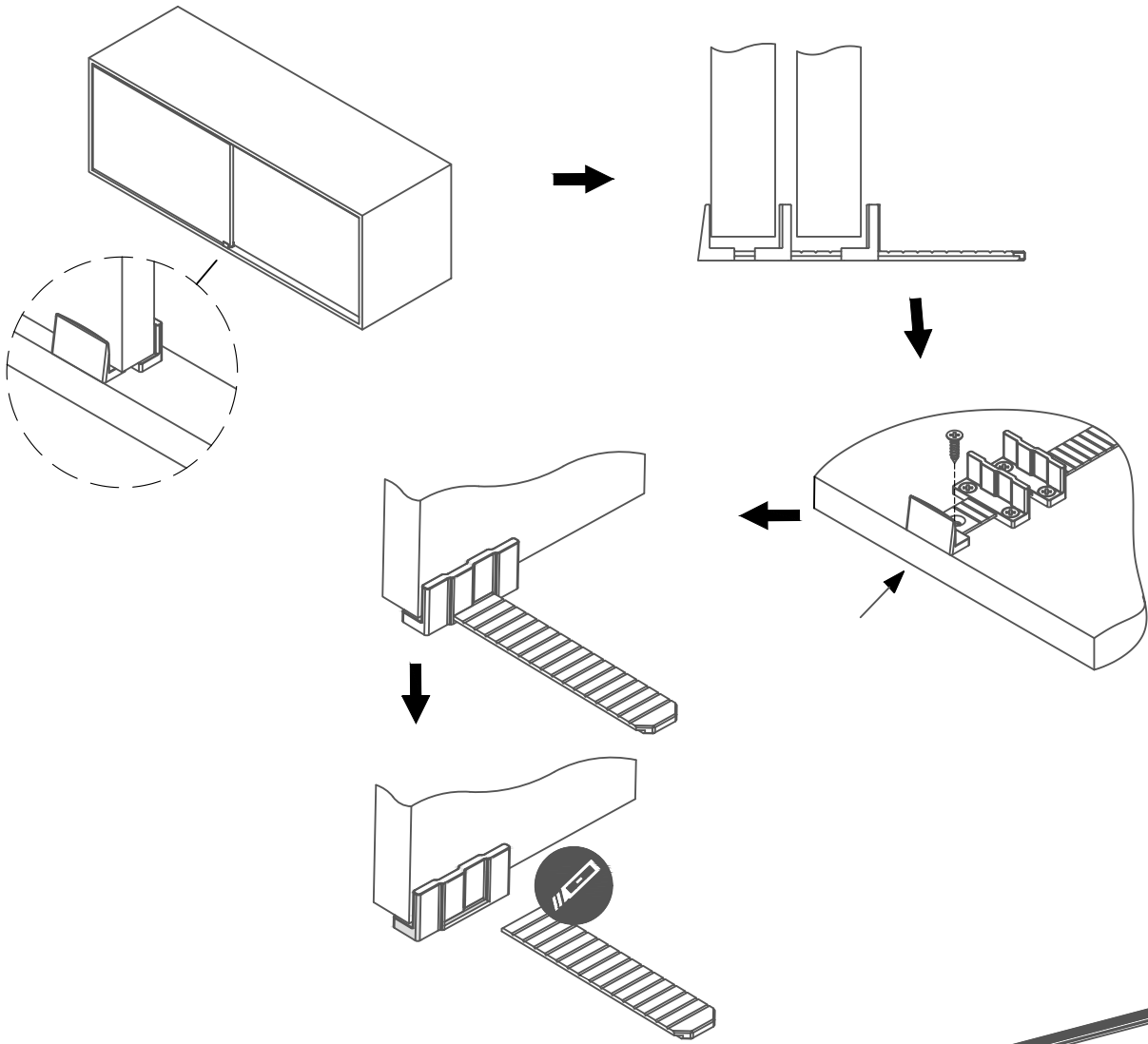
25 / 64

25 / 64

3



4



5

